

Connectivity & mobility



MedLINC

2018
Product Catalogue
www.onyx-healthcare.com

onyx
Smart Healthcare an ASUS assoc. co.

Table of Contents

Table of Contents	01
About Onyx	02
OEM/ODM Service	03
Mobile Application Computing Solution	05
24" 24/7 Self-Power Cart Computer - Venus-243	07
22" 24/7 Self-Power Cart Computer - Venus-223 / Venus-222	09
19" 24/7 Self-Power Cart Computer - Venus-193/192	11
17" Fanless 6th Generation Core i7 Mobile Computer-Venus-173	13
15.6" Fanless 6th Generation Core i7 Multi-Touch Mobile Computer-Venus-153	14
11.6" Fanless 6th Generation Core i7 Multi-Touch Mobile Computer-Venus-123	15
Mobile Cart Computer Accessory Selection	16
Ubiquitous Power Solution	19
UPower Pro-22	21
UPower Lite-62	22
XL Battery	23
XXL Battery	24
ORION-Hospital IT Management Software Package	25
Mobile Medical Assistant	29
12" Rugged EMS Tablet - MD116 / MD116I	31
10.1" Rugged Medical Tablet - MD101	33
Surgical and Server Level Workstation Solution	35
32" 4K UHD Smart View 6th Generation Xeon / Core i7 Multi-Touch Medical Station-ZEUS-329	37
24" Smart View 6th Generation Xeon /Core i7 Multi-Touch Medical Station-ZEUS-249	38
24" Fanless Smart View 6th Gen. Core i7 Multi-Touch Medical Station - ZEUS-248	39
22" Fanless Smart View 6th Gen. Core i7 Multi-Touch Medical Station - ZEUS-228	41
19" Fanless Smart View 6th Gen. Core i7 Multi-Touch Medical Station - ZEUS-198	43
Fanless Slim HIT PPC Solution	45
18.5" Fanless J1900 Quad Core Slim Medical Panel PC- BE182	47
17" Fanless Core i3 Slim Medical Panel PC - ONYX-1723	49
17" Fanless J1900 Quad Core Slim Medical Panel PC- ONYX-1731	51
15.6" Fanless J1900 Quad Core Slim Medical Panel PC- ONYX-1531	53
11.6" Fanless J1900 Quad Core Slim Medical Panel PC- ONYX-1222	55
10.1" Fanless J1900 Quad Core Slim Medical Panel PC- ONYX-1022	57
Panel PC Accessory Selection	59
Medical AIO Solution	61
24" Fanless Core i7 Medical AIO-MATE-2403	63
22" Fanless Core i7 Medical AIO-MATE-2203	65
19" Fanless Core i7 Medical AIO-MATE-1903	67
Healthcare Infotainment Solution	69
18.5" Bedside Infotainment Touch Monitor - ONYX-BE381	71
18.5" Fanless Bedside Infotainment Touch Terminal - ONYX-BE182	73
15.6" Fanless Bedside Infotainment Touch Terminal - ONYX-1531	75
11.6" Fanless Bedside Infotainment Touch Terminal - ONYX-1222	77
15.6" Fanless Android Bedside Infotainment Touch Terminal - ONYX-BE153R	79
11.6" Fanless Android Bedside Infotainment Touch Terminal - ONYX-BE122R	80
10.1" Fanless Android Bedside Infotainment Touch Terminal - ONYX-BE102R	81
Fanless J1900 Quad Core Infotainment BoxPC - MedPC-2100	83
Fanless J1900 Quad Core Infotainment BoxPC - MedPC-1600	85
Healthcare Infotainment Accessory Selection	87
Medical Display Series Solution	89
27" Slim Medical LCD Monitor-ONYX-527	91
24" Slim Medical LCD Monitor - MEDDP-524	92
22" Slim Medical LCD Monitor - MEDDP-522	93
19" Slim Medical LCD Monitor - MEDDP-519	94
18.5" Slim Medical LCD Monitor - MEDDP-518	95
17" Slim Medical LCD Monitor - MEDDP-517	96
15" Slim Medical LCD Monitor - MEDDP-515	97
MedPC Series for Medical Equipment & OEM/ODM	99
Fanless Medical Grade Box PC with Dual Core i7 Processor-MedPC-5800	101
Fanless Medical Grade Box PC with Quad Core i7-MedPC-5700	103
Fanless Medical Grade Box PC with Intel Cherry Trail Process-MedPC-2700	105
Intel Bay Trail SoC embedded platform for HIT- MedPC-2100	107
Intel Bay Trail SoC embedded platform for HIT- MedPC-2000	109
Intel Bay Trail SoC embedded platform for HIT- MedPC-1600	111
Medical Slim Motherboard for OEM/ODM	113
Skylake Medical Mini ITX Motherboard-OBM-M228	114

Onyx Healthcare Inc. is a professional medical IT company in providing trusted, innovative products, customer-centric design services and medical pc solutions.

Onyx cooperates closely with our partners to provide comprehensive medical products such as Smart View Medical Stations, Fanless Slim Panel PC, Medical Display, Healthcare Infotainment, Mobile Tablet PC, Medical PC and Mobile Computing Cart in the professional Hospital / Clinical IT market. Our products offer the advantages of filmless and paperless interaction in the hospital environment and all product solutions guarantee reliable quality (EN-60601-1 and UL-60601-1). In 2017/ 2018, Onyx has received notable awards such as the "Taiwan Excellence Award 2017 / 2018" in ZEUS series and Bedside Infotainment Terminal and Mobile Tablet Assistant.



Product application focus: Hospital IT

High-Acuity Task Area

The emergency department, Intensive care, labor and delivery units, neonatal ICUs, operating rooms, post-anesthesia care units, and the radiology department.

Clinic/Nursing Station Area

PACs processing and daily hospital tasks.

Outpatient Area

Patient monitoring and patient home care.

Feature Products :

Medical IT

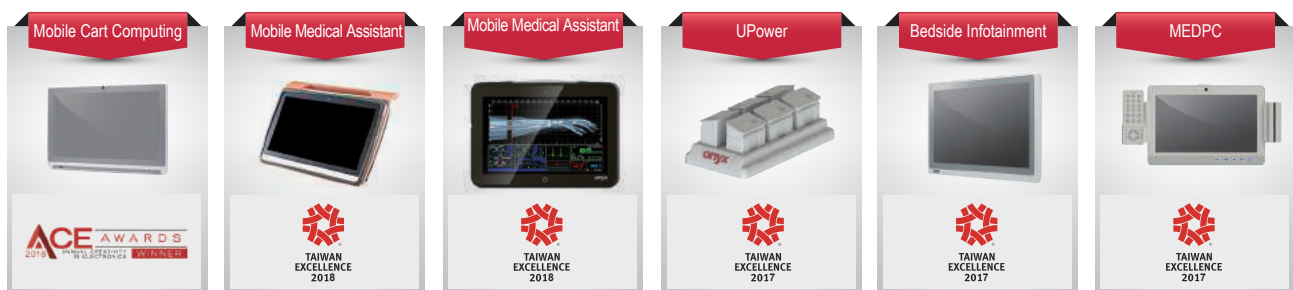
Advanced Medical Stations, Medical Grade Slim Panel PCs, Medical Grade Fanless Panel PCs.

Medical Platform

Mobile Nursing Cart, Bedside Infotainment Terminal.

Medical IT & Platform Accessory

Medical Grade Monitors, Medical Mounting Accessories.



Awards

The 25th National Award of Outstanding Small and Medium-sized Enterprises

Healthcare is an honored recipient today of the 25th National Award of Outstanding Small and Medium-sized Enterprises. The National Award of Outstanding Small and Medium Enterprises are seen as the Academy Awards (Oscars) for enterprises in Taiwan, representing the highest honor which can be granted to the winner in their industry.



The Rising Star Award



The Taiwan SMEs Innovation Award

Onyx Healthcare has recently won two awards from the Small and Medium Enterprise Administration, Ministry of Economic Affairs (SMEA/MOEA), R.O.C. In recognition of its excellence in global export trade, Onyx was given The Rising Star Award. For its Venus Series of mobile cart computers, the company received the Taiwan SMEs Innovation Award for performance in innovation and research development.

OEM / ODM Service

Onyx -Your Design & Manufacturing Kitchen

1st Choice of Medical Device OEM / ODM Partners

Full Experience of Medical Certifications:

No need to worry about the problem of getting documents. With internal and external test laboratories, our experienced LAB engineers with more 10 years make sure your product certified. Onyx can help you bring your market to USA, Europe and China quickly.

- ISO 9001:2015
- ISO 14001:2004
- ISO 13485:2003
- FCC Class A and Class B
- EN60601-1-2, UL61000-3-2, EN61000-3-3
- Safety MDD 60601-1, UL60601-1 version 3
- FDA Class II
- CCC



Ready to Use Embedded Computing Platform:

Belonging to ASUS and Aaeon Group, Onyx provides rich and cutting edge motherboard technology to our clients. Do not worry about falling behind your competition. Your company will be the leader in the field.

- Off-the shelf miniITX motherboard solution
- Latest Computer-on Module (COM) solutions
- Single compact computer solutions (X86 and RISC ARM)
- Free of charge BIOS and driver service



Onyx Healthcare is the first company with EMC 4.0 / Safe 3.1 ready products

In the European Union, the Date of Withdrawal (DoW) of EN 60601-1:2006 (Safety Edition 3.0) is published as Dec. 31st 2017 and DoW of EN 60601-1-2:2007(EMC Edition 3.0) is published as Dec. 31st 2018. **All devices manufactured and imported into the EU are required to comply with EN 60601-1:2006/A1:2013 (Safety Edition 3.1) after year 2018 and EN 60601-1-2:2015 (EMC Edition 4.0) after year 2019.**

All Onyx products in mass production are compliant to Safety Edition 3.1 and EMC Edition 4.0 and please refer to the following product list.



Medical DMS Partner:

Onyx Design Manufacture Service (DMS) offers customers comprehensive product services from the creation of an initial design, through development to manufacturing, and including after-sales service. Onyx DMS combines these services through our extensive oversight process to guarantee unsurpassed product quality, dependability and robustness. Our strength as a medical technology leader lies in our close partnerships with Intel, AMD, and ASUS allowing us to gain early access to advanced technologies. Combined with superior supply-chain management and buying power, Onyx is able to provide single-source procurement across several industry sectors, benefiting our customers with uncompromised quality and services.



Mobile Cart Computing Solution

Onyx has developed an all in one panel computer that provides 24/7 non-stop service and offers true mobility. Venus, the medical portable computer, features dual hot swappable batteries system and universal mounting slots. The battery system allow users to replace one of the batteries without turning the computer off .Also, the dual batteries design supply a very long running time and short charging time. Lightweight design with Magnesium alloy rear cover provides high strength and great heat dissipation, and it has mounting slots that will fit any medical cart. Small features that come with the unit such as RFID, reading light bar, and smart card scanner come in handy for the operator.



- »» Highest level of medical safety protection, EMC4.0 / Safety3.1
- »» Built-in dual battery to provide 125Wh power for standing 6 hours operating.
- »» Support running as 24/7 by swapping batteries.
- »» With magnesium alloy rear cover provides high strength , light weight ,and great heat dissipation.
- »» ORION, Hospital IT Management Software Padeage.
- »» Hi-speed recharge, flexible mounting type

⊕ No pending for charging

Swappable batteries are small and light enough to be changed with one hand while also providing long-lasting, nonstop power.



⊕ Cleanability with Hospital Solvents

Venus Series was designed for using in hospital environment. The Front IP65 waterproof and non-gap design was made it more easy to be clean with hospital solvent, and fit almost all the cleaning strategies.



⊕ Easy to management remotely (ORION)

ORION, a hospital IT management software package. Remotely monitor battery status including charging cycles, temperature, capacity, and usage statistics, or set custom reminders.



⊕ TPM

A Trusted Platform Module increase privacy and security utilizing hardware-encryption with files to ensure sensitive information remains safe and secure.



⊕ External output

24W DC output connector supplies power to additional medical devices



⊕ Lightweight design

Magnesium alloy construction and 300g batteries ensure the unit is sturdy, yet easy to carry, position and handle.



Successful Story

The Venus-Mobile Cart Computer was chosen for use by our nursing staff at the Taiwan Chiang Kai-shek Memory Hospital. The swappable battery saves my time so I can spend more time taking care of more patients. I no longer need to push around a heavy cart from room to room or always look for a socket to charge the battery. I love the lightweight battery and cableless design of Venus which makes the cart lighter and gives me the mobility to move effortlessly and work efficiently. I recommend the Venus series as a practical and useful medical computer for nurses and hospitals.

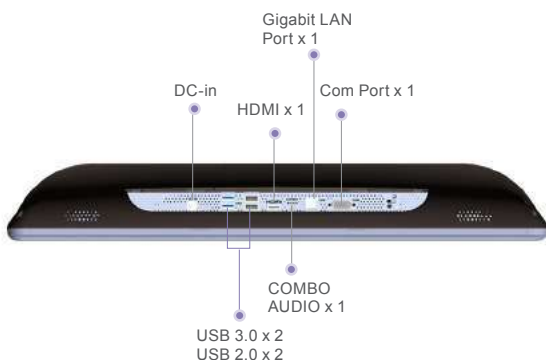
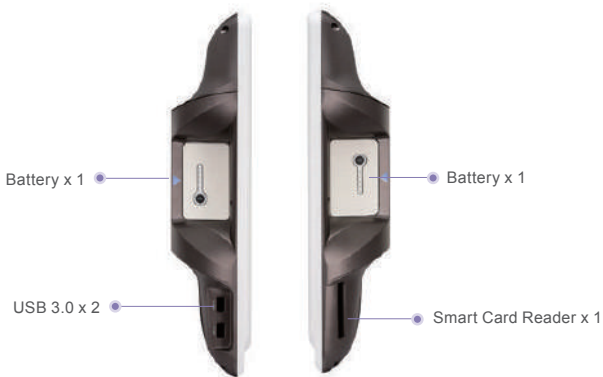
Hospital : Chiang Kai-shek Memory Hospital
 Nurse : Lucy Wu
 Location : Taiwan
 Benefit : * Extremely
 * No idle time, Better Efficiency
 * Perfect battery SW

Venus
 Mobile Cart Computer



Mobile Cart Computer Venus-243

24" 24/7 Self-Power Medical Cart Computer



Features

- Highest level of medical safety protection , EMC4.0/ Safety 3.1
- Cleanability with Hospital Solvents (front IP65)
- Hot swappable design, support 24/7 run time
- Intel® Skylake Dual-Core i5
- Support remote monitor/control/update (ORION compatible)
- Lightweight design
- HDMI 1.4
- Win10 64 bit compatible

Specifications

Main Specifications

Processor	Intel® Skylake Dual-Core i5
System Memory	DDR4 up to 32GB
OS Support	Microsoft® Windows 7 (32/64bit) Microsoft® Windows 8.1 (64bit) Microsoft® Windows 10 (64bit) Ubuntu 14.04 LTS IGEL (thin client solution)
Graphics	Intel® HD Graphics 520
Storage	SSD up to 512GB (optional)
Wireless Communication	802.11 ac/a/b/g/n + BT (optional)
Touch	PCT
Speaker	2W x2
Security	TPM 2.0 (Trusted Platform Module), Smart Card Reader, RFID ISO 15693/14443A (optional)

Display

Display Size	23.8" VA panel
Resolution	1920 x 1080
Max. Colors	16.7M
Contrast Ratio	3000:1
Luminance (cd/m2)	250

I/O

USB	Rear I/O: USB 3.0 x 2, USB 2.0 x 2 Side I/O : USB 3.0 x 2
Video Out	HDMI 1.4 x1
COM	COM port x1
Audio	Combo audio port x1
Security	Kensington slot
Ethernet	Gigabit LAN x1
DC-in	24V DC-in x1

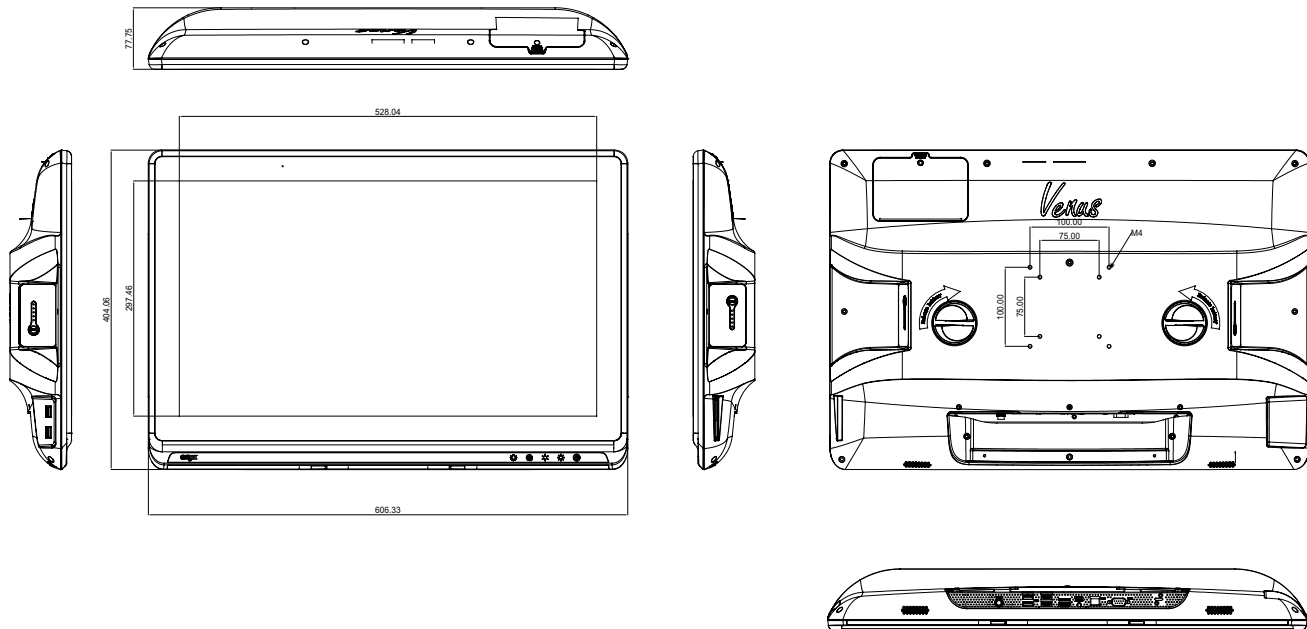
Mechanical and Environmental

VESA	75/100 mm VESA mount
Operating Temperature	0°C ~ 40°C(32°F ~ 104°F)
Storage Temperature	-20°C ~ 60°C(-4°F ~ 140°F)
Storage Humidity	10%~95%@35°C, non-condensing
Dimension	528(L) x 78(W) x 404(H) mm
Net Weight	8kg (17.6 lbs)
Packing Size	745(L) x 255(W) x 558(H) mm
Gross Weight	11.5kg (24.3 lbs)
Certifications	CE: EN 60601-1-2:2015(V4.0), EN 60601-1:2006/ A1:2013(V3.1) FCC: Part 18 Class B UL: ANSI/AAMI ES60601-1:2012 (V3.1) cUL: CAN/CSA-C22.2 No. 60601-1:2014 (V3.1)

ALL PRODUCT, PRODUCT SPECIFICATIONS AND DATA ARE SUBJECT TO CHANGE WITHOUT NOTICE TO IMPROVE RELIABILITY, FUNCTION OR DESIGN OR OTHERWISE.

24" 24/7 Self-Power Cart Computer

Dimension / Unit: mm



Ordering Information

- » VENUS-243ST-A5-1010
Cart Computer.i5.24".Fanless.PCT.4G RAM.SCR.TPM. XL Battery x2

Optional Accessories

- » 1255301501
Medical Adaptor. 100-240V/1.0-2.5A 24V/6.25A 150W
- » OPM-S02R-A0
RFID Reader Kit
- » OPM-C10W-A0
WLAN dual band module kits. INTEL 802.11ac/a/b/g/n+BT
- » OPM-C07W-A2
WLAN dual band module kits. Atheros 802.11a/b/g/n + BT 4.0
- » UP-L62-A1-1010
6-Slot Charger + adaptor 24V/250W
- » UP-P22-A2-1010
2-Slot Charger + Medical adaptor 24V/150W

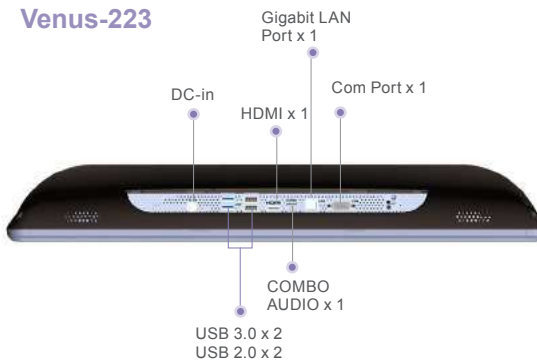
Mobile Cart Computer

Venus-223 / Venus-222

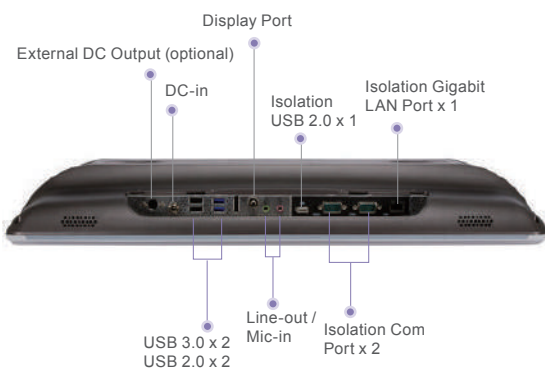
22" 24/7 Self-Power Medical Cart Computer



Venus-223



Venus-222



Features

- Highest level of medical safety protection , EMC4.0/ Safety 3.1
- Cleanability with hospital solvents (front IP65)
- Hot swappable design, support 24/7 run time
- Intel® Skylake Dual-Core i5 / Quad-Core J1900
- Support remote monitor/control/update (ORION compatible)
- Lightweight design
- Front reading light bar

Specifications

Main Specifications

	Venus-223	Venus-222
Processor	Intel® Skylake Dual-Core i5	Intel® Quad-Core J1900
System Memory	DDR4 up to 32GB	DDR3L up to 8G
OS Support	Microsoft® Windows 7 (32bit/64bit) Microsoft® Windows 8.1 (64bit) Microsoft® Windows 10 (64bit) Ubuntu 14.04 LTS IGEL (thin client solution)	Microsoft® Windows 7 (32bit/64bit) Microsoft® Windows 8.1 (32bit/64bit) Microsoft® Windows 10 (32bit / 64 bit) IGEL (thin client solution)
Graphics	Intel® HD Graphics 520	Intel® HD Graphics
Storage	SSD up to 512GB (optional)	
Wireless Communication	802.11 ac/a/b/g/n + BT 4.0 (optional)	
Camera	2MP/5MP camera (optional)	
Touch	PCT (optional), R-TS	
Speaker	2W x2	
Security	TPM 2.0 Smart Card Reader, RFID ISO 15693/14443A (optional)	TPM 1.2
Auto Brightness	Light sensor	

Display

Display Size	21.5" VA panel
Resolution	1920 x 1080
Max. Colors	16.7M
Contrast Ratio	3000:1
Luminance (cd/m2)	250

I/O

USB	Rear I/O : USB 3.0 x2, USB 2.0 x2 Side I/O : USB 3.0 x2	Rear I/O : USB 3.0 x2, USB 2.0 x2, Isolated USB x1 Side I/O : USB 3.0 x2
Video Out	HDMI 1.4 x1	DP x1
COM	COM port x1	Isolated COM port x2
Audio	Combo audio port x1	Mic-in x1, Audio-out x1
Security	Kensington slot	N/A
Ethernet	Gigabit LAN x1	
DC-in	24V DC-in x1	

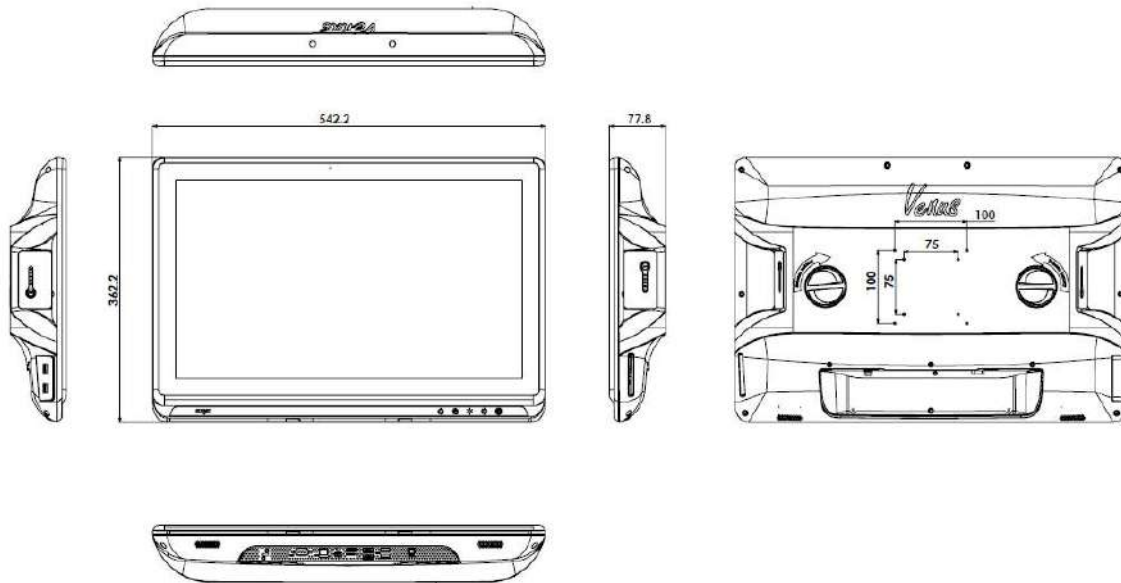
Mechanical and Environmental

VESA	75/100 mm VESA mount
Operating Temperature	0°C ~ 40°C(32°F ~ 104°F)
Storage Temperature	-20°C ~ 60°C(-4°F ~ 140°F)
Storage Humidity	10%~95%@35°C, non-condensing
Dimension	542(L) x 77(W) x 362(H) mm
Net Weight	7kg (15.4 lbs)
Packing Size	680(L) x 270(W) x 530(H) mm
Gross Weight	10.5kg (23.15 lbs)
Certifications	CE: EN 60601-1-2:2015(V4.0), EN 60601-1:2006/ A1:2013(V3.1) FCC: Part 18 Class B UL: ANSI/AAMI ES60601-1:2012 (V3.1) cUL: CAN/CSA-C22.2 No. 60601-1:2014 (V3.1)

ALL PRODUCT, PRODUCT SPECIFICATIONS AND DATA ARE SUBJECT TO CHANGE WITHOUT NOTICE TO IMPROVE RELIABILITY, FUNCTION OR DESIGN OR OTHERWISE.

22" 24/7 Self-Power Cart Computer

Dimension / Unit: mm



Ordering Information

- » VENUS-223ST-A5-1010
Cart Computer.i5 22".Fanless.PCT.4G RAM.SCR.TPM.XL Battery x2
- » VENUS-223ET-A5-1010
Cart Computer.i5 22".Fanless.R-TS.4G RAM.SCR.TPM.XL Battery x2
- » VENUS-222ET-A1-1010
Cart Computer. J1900. 22". Fanless. R-TS. 4GB RAM. SCR. TPM. Battery x2

Optional Accessories

- » 1255301501
Medical Adaptor. 100-240V/1.0-2.5A 24V/6.25A 150W
- » OPM-S02R-A0
RFID Reader Kit
- » OPM-C10W-A0
WLAN dual band module kits. INTEL 802.11ac/a/b/g/n+BT
- » OPM-C07W-A2
WLAN dual band module kits. Atheros 802.11a/b/g/n + BT 4.0
- » UP-L62-A1-1010
6-Slot Charger + adaptor 24V/250W
- » UP-P22-A2-1010
2-Slot Charger + Medical adaptor 24V/150W
- » OPM-V02C-02
2MP Camera Kit
- » OPM-V02C-01
5MP Camera Kit

Mobile Cart Computer

Venus-193/192

19" 24/7 Self-Power Cart Computer

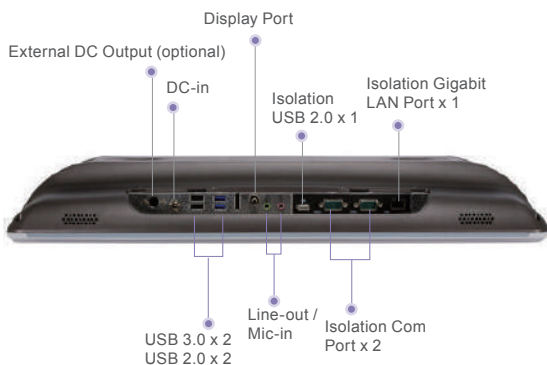


Battery x 1

Battery x 1

USB 3.0 x 2

Smart Card Reader x 1



Display Port

External DC Output (optional)

DC-in

Isolation USB 2.0 x 1

Isolation Gigabit LAN Port x 1

USB 3.0 x 2
USB 2.0 x 2

Line-out /
Mic-in

Isolation Com
Port x 2

Features

- Highest level of medical safety protection , EMC4.0/ Safety 3.1
- Cleanability with hospital solvents (front IP65)
- Hot swappable design, support 24/7 run time
- Intel® Skylake Dual-Core i5 / Quad-Core J1900
- Support remote monitor/control/update (ORION compatible)
- Lightweight design
- Front reading light bar

Specifications

Main Specifications

	Venus-193	Venus-192
Processor	Intel® Skylake Dual-Core i5	Intel® Quad-Core J1900
System Memory	DDR4 up to 32GB	DDR3L up to 8G
OS Support	Microsoft® Windows 7 (32bit/64bit) Microsoft® Windows 8.1 (64bit) Microsoft® Windows 10 (64bit) Ubuntu 14.04 LTS IGEL (thin client solution)	Microsoft® Windows 7 (32bit/64bit) Microsoft® Windows 8.1 (32bit/64bit) Microsoft® Windows 10 (32bit / 64 bit) IGEL (thin client solution)
Graphics	Intel® HD Graphics 520	Intel® HD Graphics
Storage	SSD up to 512GB (optional)	
Wireless Communication	802.11 ac/a/b/g/n + BT 4.0 (optional)	
Touch	R-TS	
Speaker	2W x2	
Security	TPM 2.0 Smart Card Reader, RFID ISO 15693/14443A (optional)	TPM 1.2
Auto Brightness	Light sensor	

Display

Display Size	19.5" VA panel
Resolution	1280 x 1080
Max. Colors	16.7M
Contrast Ratio	1000:1
Luminance (cd/m2)	250

I/O

USB	Rear I/O : USB 3.0 x2, USB 2.0 x2 Side I/O : USB 3.0 x2	Rear I/O : USB 3.0 x2, USB 2.0 x2, Isolated USB x1 Side I/O : USB 3.0 x2
Video Out	HDMI 1.4 x1	DP x1
COM	COM port x1	Isolated COM port x2
Audio	Combo audio port x1	Mic-in x1, Audio-out x1
Security	Kensington slot	N/A
Ethernet	Gigabit LAN x1	
DC-in	24V DC-in x1	

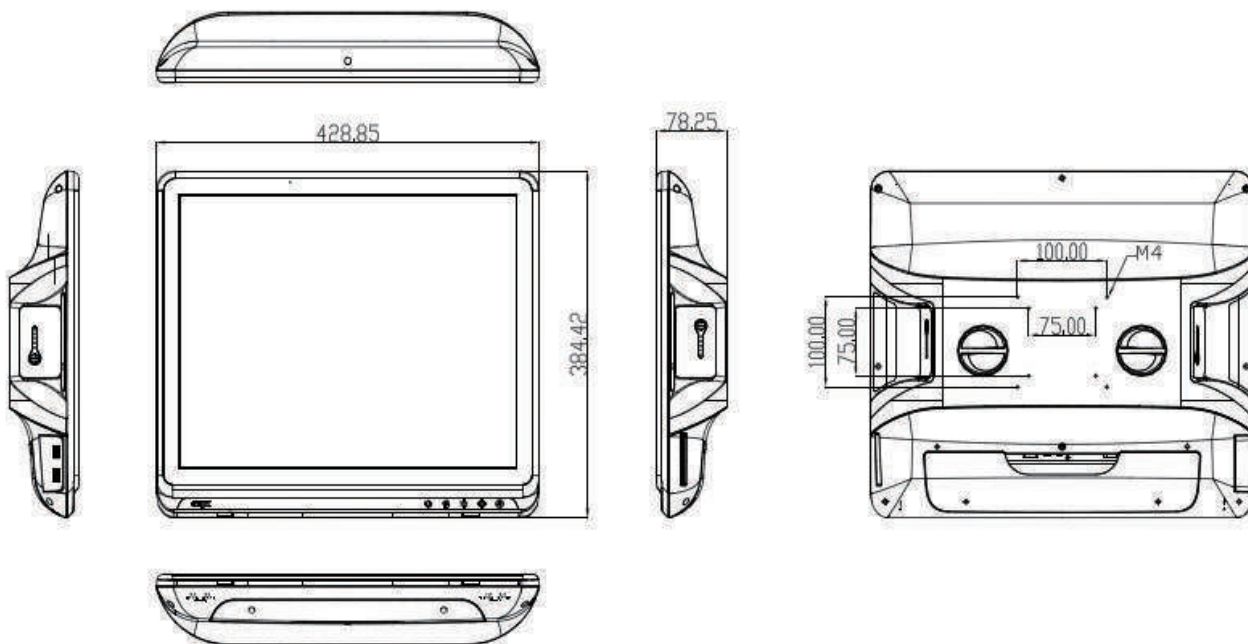
Mechanical and Environmental

VESA	75/100 mm VESA mount
Operating Temperature	0°C ~ 40°C(32°F ~ 104°F)
Storage Temperature	-20°C ~ 60°C(-4°F ~ 140°F)
Storage Humidity	10%~95%@35°C, non-condensing
Dimension	542(L) x 77(W) x 362(H) mm
Net Weight	7kg (15.4 lbs)
Packing Size	680(L) x 270(W) x 530(H) mm
Gross Weight	10.5kg (23.15 lbs)
Certifications	CE: EN 60601-1-2:2015(V4.0), EN 60601-1:2006/ A1:2013(V3.1) FCC: Part 18 Class B UL: ANSI/AAMI ES60601-1:2012 (V3.1) cUL: CAN/CSA-C22.2 No. 60601-1:2014 (V3.1)

ALL PRODUCT, PRODUCT SPECIFICATIONS AND DATA ARE SUBJECT TO CHANGE WITHOUT NOTICE TO IMPROVE RELIABILITY, FUNCTION OR DESIGN OR OTHERWISE.

19" 24/7 Self-Power Cart Computer

Dimension / Unit: mm



Ordering Information

- » VENUS-193ET-A5-1010
Cart Computer. i5. 19". Fanless. R-TS. 4GB .SCR. TPM. XL Battery x 2
- » VENUS-192ET-A1-1010
Cart Computer. J1900. 19". Fanless. R-TS. 4GB RAM. SCR. TPM. Battery x 2

Optional Accessories

- » 1255301501
Medical Adaptor. 100-240V/1.0-2.5A 24V/6.25A 150W
- » OPM-S02R-A0
RFID Reader Kit
- » OPM-C10W-A1
WLAN dual band module kits. INTEL 802.11ac/a/b/g/n + BT
- » OPM-C07W-A2
WLAN dual band module kits. Atheros 802.11a/b/g/n + BT 4.0
- » UP-L62-A1-1010
6-Slot Charger +adaptor 24V/250W
- » UP-P22-A2-1010
2-Slot Charger + Medical adaptor 24V/150W

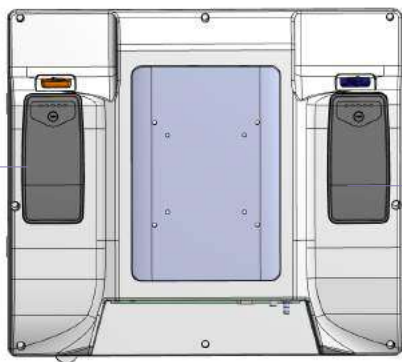
Mobile Cart Computer

Venus-173

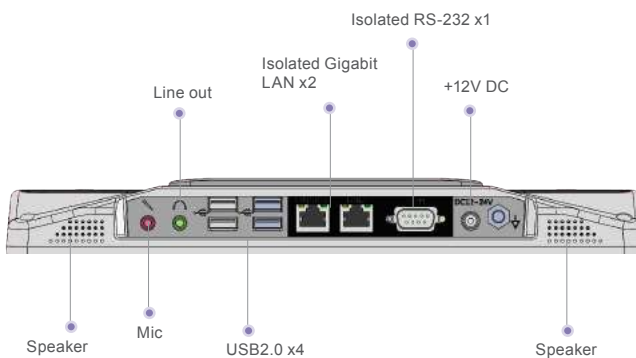
17" Fanless 6th Generation Core i7 Multi-Touch Mobile Computer



LCD Brightness Control
Power On/ Off
Speaker Volume Control



Swappable Battery Pack x 1
Swappable Battery Pack x 1



Isolated RS-232 x1
Line out
Isolated Gigabit LAN x2
+12V DC
Speaker
Mic
USB2.0 x4
Speaker

Features

- Intel® 6th Generation Core i7-6600U 3.4GHz Dual Core
- 17" High Brightness 350-nit SXGA LCD
- Supports Non-ECC DDR4 SODIMM up to 16GB
- 5-Wire Resistive Touch Screen
- Easy Cleaning Flat Screen
- 5 Programmable Smart Function Keys
- LAN/COM Medical Isolation
- Trusted Platform Module 2.0
- Remote Management: Intel Active Management Technology
- +12V DC Input
- Dual 32.7Wh Backup Batteries

Specifications

Main Specifications

Processor	Intel® 6th Generation Core i7-6600U 3.4GHz Dual Core
System Memory	Non-ECC DDR4 SODIMM up to 16GB
Storage Disk Drive	M.2 Solid State Disk Drive x1
OS Support	Windows 7, Window 8.1, Window 10, Linux
Wireless Communication	802.11ac/a/b/g/n, Bluetooth V4.1
Function Key	Power On/Off, Speaker Volume Up/Down, LCD Brightness Up/Down
Power Requirement	+12V DC, Dual 32.7Wh Backup Batteries
Speaker	2W x2
Security	Trusted Platform Module 2.0, RFID Reader(optional)

Display

Display Size	17" LCD
Max. Resolution	1280 x 1024
Luminance(cd/m2)(TYP)	350nits
Max. Colors	16.7 M
Viewing Angle	170°(H)/160°(V)
Contrast Ratio	1000:1
Back Light Life Time	>30,000 hours
Touch Screen	5-Wire Resistive

I/O

USB	USB 2.0 x4
Serial Port	Isolated RS-232 x1
Ethernet	Isolated Gigabit LAN x 2

Mechanical and Environmental

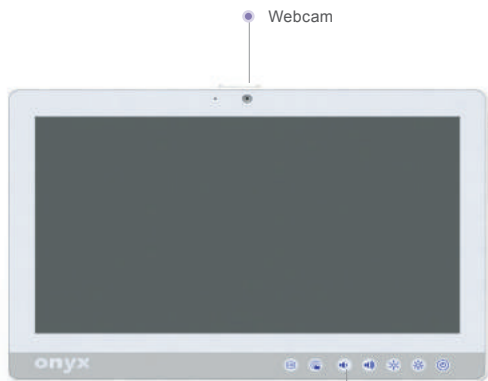
Power Consumption	TBD
Operating Temperature	0°C ~ 40°C(32°F ~ 104°F)
Storage Temperature	-20°C ~ 60°C(-4°F ~ 140°F)
Mounting	VESA 75/100 mm
Degree of Protection	IP54
Net Weight	TBD
Gross Weight	TBD
Package Dimension (W x D x H)	(W x D x H): TBD
Certifications	CE: EN 60601-1-2:2015(V4.0), EN 60601-1:2006/A1:2013(V3.1) FCC: Part 18 Class B UL: ANSI/AAMI ES60601-1:2012 (V3.1) cUL: CAN/CSA-C22.2 No. 60601-1:2014 (V3.1)

ALL PRODUCT, PRODUCT SPECIFICATIONS AND DATA ARE SUBJECT TO CHANGE WITHOUT NOTICE TO IMPROVE RELIABILITY, FUNCTION OR DESIGN OR OTHERWISE.

Mobile Cart Computer

Venus-153

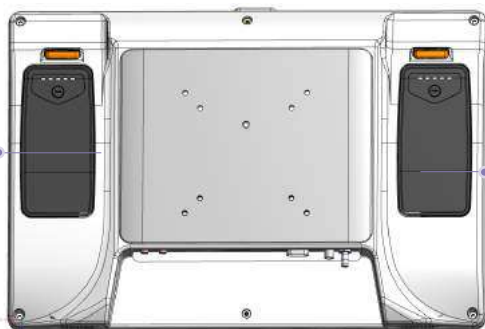
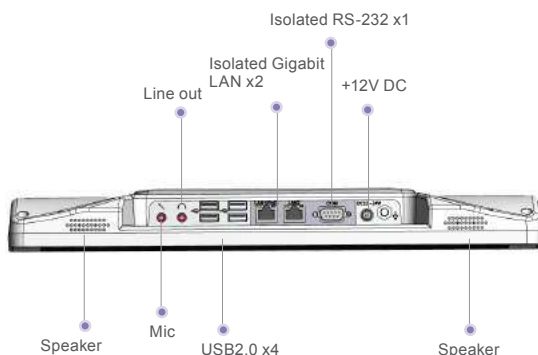
15.6" Fanless 6th Generation Core i7 Multi-Touch Mobile



Webcam

onyx

Function Keys

Swappable
Battery Pack
x 1Swappable
Battery Pack
x 1

Isolated RS-232 x1

Isolated Gigabit
LAN x2

+12V DC

Line out

Speaker

Mic

USB2.0 x4

Speaker

Features

- Intel® 6th Generation Core i7-6600U 3.4GHz Dual Core
- 15.6" High Brightness 300-nit Full HD LCD
- Supports Non-ECC DDR4 SODIMM up to 16GB
- Capacitive Multi-Touch Screen / 5-Wire Resistive Touch Screen
- Easy Cleaning Flat Screen
- 5 Programmable Smart Function Keys
- LAN/COM Medical Isolation
- Trusted Platform Module 2.0
- Remote Management: Intel Active Management Technology
- +12V DC Input
- Dual 32.7Wh Backup Batteries

Specifications

Main Specifications

Processor	Intel® 6th Generation Core i7-6600U 3.4GHz Dual Core
System Memory	Non-ECC DDR4 SODIMM up to 32GB
Storage Disk Drive	M.2 Solid State Disk Drive x1
OS Support	Windows 7, Window 8.1, Window 10, Linux
Wireless Communication	802.11ac/a/b/g/n, Bluetooth V4.1
Function Key	Power On/Off, Speaker Volume Up/Down, LCD Brightness Up/Down
Power Requirement	+12V DC, Dual 32.7Wh Backup Batteries
Speaker	2W x2
Security	Trusted Platform Module 2.0, RFID Reader(optional)

Display

Display Size	15.6" LCD
Max. Resolution	1920 x 1080
Luminance(cd/m2)(TYP)	300 nits
Max. Colors	16.7 M
Viewing Angle	160°(H)/140°(V)
Contrast Ratio	700:1
Back Light Life Time	Touch Screen
Touch Screen	5-Wire Resistive / Capacitive Multi-Touch

I/O

USB	USB 2.0 x4
Serial Port	Isolated RS-232 x1
Ethernet	Isolated Gigabit LAN x 2

Mechanical and Environmental

Power Consumption	TBD
Operating Temperature	0°C ~ 40°C(32°F ~ 104°F)
Storage Temperature	-20°C ~ 60°C(-4°F ~ 140°F)
Mounting	VESA 75/100 mm
Degree of Protection	IP54
Net Weight	TBD
Gross Weight	TBD
Package Dimension (W x D x H)	(W x D x H): TBD
Certifications	CE: EN 60601-1-2:2015(V4.0), EN 60601-1:2006/A1:2013(V3.1) FCC: Part 18 Class B UL: ANSI/AAMI ES60601-1:2012 (V3.1) cUL: CAN/CSA-C22.2 No. 60601-1:2014 (V3.1)

ALL PRODUCT, PRODUCT SPECIFICATIONS AND DATA ARE SUBJECT TO CHANGE WITHOUT NOTICE TO IMPROVE RELIABILITY, FUNCTION OR DESIGN OR OTHERWISE.

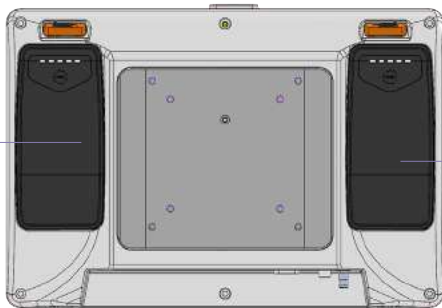
Mobile Cart Computer Venus-123

11.6" Fanless 6th Generation Core i7 Multi-Touch Mobile Computer



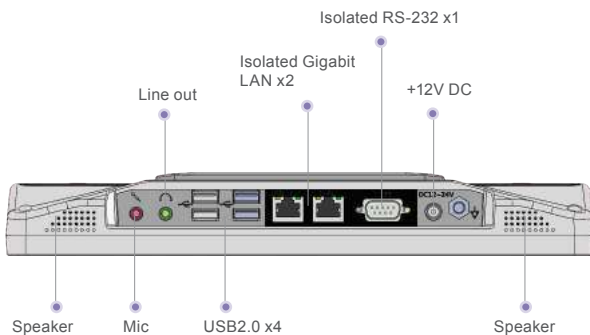
Webcam

Function Keys



Swappable Battery Pack x 1

Swappable Battery Pack x 1



Isolated RS-232 x1

Isolated Gigabit LAN x2

+12V DC

Line out

Speaker

Mic

USB2.0 x4

Speaker

Features

- Intel® 6th Generation Core i7-6600U 3.4GHz Dual Core
- 11.6" 220-nits WXGA LCD
- Supports Non-ECC DDR4 SODIMM up to 16GB
- Capacitive Multi-Touch Screen / 5-Wire Resistive Touch Screen
- Easy Cleaning Flat Screen
- 5 Programmable Smart Function Keys
- LAN/COM Medical Isolation
- Trusted Platform Module 2.0
- Remote Management: Intel Active Management Technology
- +12V DC Input
- Dual 32.7Wh Backup Batteries

Specifications

Main Specifications

Processor	Intel® 6th Generation Core i7-6600U 3.4GHz Dual Core
System Memory	Non-ECC DDR4 SODIMM up to 16GB
Storage Disk Drive	M.2 Solid State Disk Drive x1
OS Support	Windows 7, Window 8.1, Window 10, Linux
Wireless Communication	802.11ac/a/b/g/n, Bluetooth V4.1
Function Key	Power On/Off, Speaker Volume Up/Down, LCD Brightness Up/Down
Power Requirement	+12V DC, Dual 32.7Wh Backup Batteries
Speaker	2W x2
Security	Trusted Platform Module 2.0, RFID Reader(optional)

Display

Display Size	11.6" LCD
Max. Resolution	1366 x 768
Luminance(cd/m2)(TYP)	220 nits
Max. Colors	16.7 M
Viewing Angle	170°(H)/170°(V)
Contrast Ratio	800:1
Back Light Life Time	Touch Screen
Touch Screen	

I/O

USB	USB 2.0 x4
Serial Port	Isolated RS-232 x1
Ethernet	Isolated Gigabit LAN x 2

Mechanical and Environmental

Power Consumption	TBD
Operating Temperature	0°C ~ 40°C(32°F ~ 104°F)
Storage Temperature	-20°C ~ 60°C(-4°F ~ 140°F)
Mounting	VESA 75/100 mm
Degree of Protection	IP54
Net Weight	TBD
Gross Weight	TBD
Package Dimension (W x D x H)	(W x D x H): TBD
Certifications	CE: EN 60601-1-2:2015(V4.0), EN 60601-1:2006/A1:2013(V3.1) FCC: Part 18 Class B UL: ANSI/AAMI ES60601-1:2012 (V3.1) cUL: CAN/CSA-C22.2 No. 60601-1:2014 (V3.1)

ALL PRODUCT, PRODUCT SPECIFICATIONS AND DATA ARE SUBJECT TO CHANGE WITHOUT NOTICE TO IMPROVE RELIABILITY, FUNCTION OR DESIGN OR OTHERWISE.

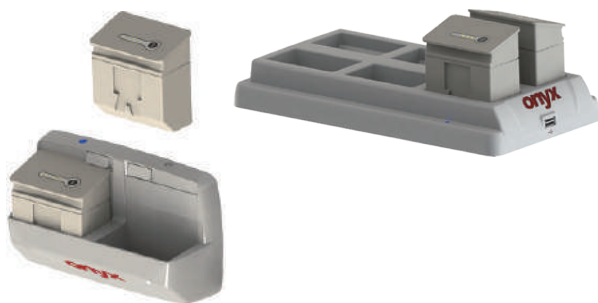
Mobile Cart Computer Accessory Selection

OPM-P01C

6 -slot battery charger

UP-P22

2-slot battery charger



Features

- Capable of charging 2/6 batteries simultaneously.
- 2/6 Independent LED indicators, clearly reveal recharge status
- Hi-speed recharge and over charge protection

OPM-P01T

2 Battery kit. Lithium-ion 3S2P battery pack. 10.8V



Features

- Support battery management system, remote monitor and auto alarm
- LED indicator, easily to check battery status
- Light weight, only 320g!!

Specifications

Main Specification	2 -slot	6 -slot
Input Power	24V/150W	24V/250W
LED Indicator	Green light : Fully charge battery pack in charger Blue light : Battery pack is charging	
Battery Type	Li-ion battery	
Battery Charge Time	2 hrs for 85%, 3hrs for 100%	
Certification	CE, FCC	

Mechanical

Architecture	ABS+PC	
Color	White	
Packing Size	396(L) x 106(W) x 279(H) mm	410(L) x 110(W) x 290(H) mm
Weight	0.67kg (1.47 lb)	1.16kg (2,56 lb)
Gross Weight	2kg	3kg

Environmental

Operating Temperature	0°C ~ 40°C(32°F ~ 104°F)	
Storage Temperature	-20°C ~ 60°C(-4°F ~ 140°F)	
Storage Humidity	10%~95%@35°C, non-condensing	

Ordering Information

- » OPM-P01C-03
6-slot charger. 24V/250W Medical adaptor
- » UP-P22-A2-1010
2-slot charger. 24V/150W Medical adaptor

Specifications

Battery Pack	3S2P / 6 Cell Lithium-ion battery
Typical Capacity	5700 mAh
Nominal Voltage	10.8 V
Power Consumption	62.64 Wh
Battery Run Time	6 hr
Warranty	1 year
Certification	UL,CE,IEC-60950-1,IEC-62133-1

Mechanical and Environmental

Color	White
Dimension	230(L)X150(w)x90(H) mm
Weight	320g/pcs
Gross Weight	0.9kg
Operating Temperature	0°C ~ 40°C(32°F ~ 104°F)
Storage Temperature	-20°C ~ 60°C(-4°F ~ 140°F)
Storage Humidity	10%~95%@35°C, non-condensing

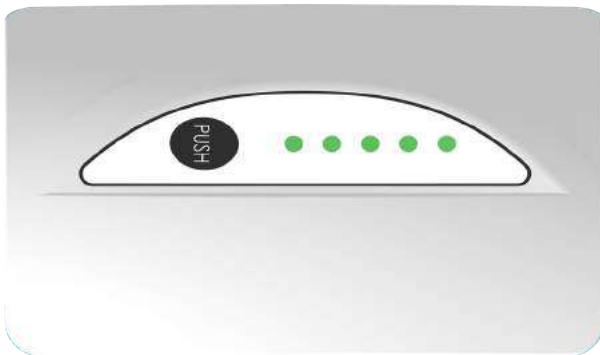
Ordering Information

- » OPM-P01T-03
2 Battery Kit. Li-ion 3S2P, 10.8V, 5700mAh. Volume Order (via Sea)

Mobile Cart Computer Accessory Selection

OPM-P02T

2 XL Battery Li-ion 10.95V 8550mAh



Features

- Compatible with all Venus-series and all UPower-series
- X1.5 battery capacity increase
- 120W output, fit almost 99% AIO/NB
- Supports remote management software (ORION)
- Battery capacity indicator button
- Medical grade certified (with Venus)
- Lightweight design

Specifications

Main Specifications

Battery Type	3S3P / 9 Cell Li-ion battery
Battery Voltage	10.95V
Battery Capacity	8550mAh
Warranty	1 year
Charging time	3hrs for 90% ; 3.5hrs for 100% (with UPower Pro-series)
Safety	Supports protection from over-voltage (input and output), over-current (input and output), short circuit, over-charge, over-discharge, and battery Positive Temperature Coefficient(PTC)
Compatible	Venus all series, UPower all series
Certification	UL, CE, IEC-60950-1, IEC-62133-1

Mechanical and Environmental

Architecture	ABS + PC
Color	White
Dimension	125(L) x 80(W) x 45 (H) mm
Net Weight	0.8kg (1.76 lbs)
Packing Size	230(L) x 200(W) x 85(H) mm
Gross Weight	2kg (4.41 lbs)

Battery LED Indicator

One LED Flashing	0%~5% capacity
One LED Lighting	5%~20% capacity
Two LED Lighting	20%~40% capacity
Three LED Lighting	40%~60% capacity
Four LED Lighting	60%~80% capacity
Five LED Lighting	80%~100% capacity

Ordering Information

» OPM-P02T-03

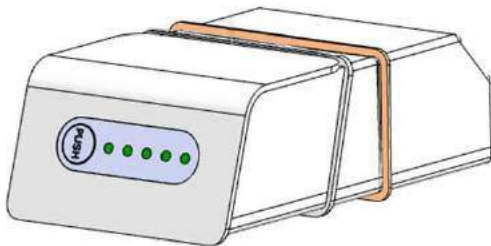
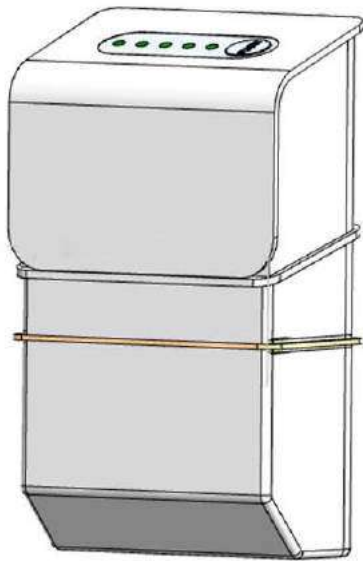
2 XL Battery Kit. Li-ion 3S3P, 10.95V, 8550mAh. Volume Order (via Ocean)

Mobile Cart Computer

Mobile Cart Computer Accessory Selection

OPM-P03T

2 XXL Battery Kit. Li-ion. 10.8V. 8710mAh



Features

- Onyx Battery BlueTECH inside
- Smart LED indicator
- Internal history record

Specifications

Main Specifications

Battery Type	3S4P / 12 Cell Li-ion battery
Battery Voltage	10.8V
Battery Capacity	8710mAh
Warranty	1 year
Charging time	3.5hrs with UPower Pro-series
Safety	Supports protection from over-voltage (input and output), over-current (input and output), short circuit, over-charge, over-discharge, and battery Positive Temperature Coefficient(PTC)
Compatible	Venus all series, UPower all series
Certification	UL, CE, IEC-60950-1, IEC-62133-1

Mechanical and Environmental

Architecture	ABS + PC
Color	White
Dimension	150(L) x 80(W) x 45 (H) mm
Net Weight	430g
Packing Size	230(L) x 230(W) x 90(H) mm
Gross Weight	1.5kg (1.98 lbs)
Operating Temperature	0°C ~ 40°C(32°F ~ 104°F)
Storage Temperature	-20°C ~ 60°C(-4°F ~ 140°F)
Storage Humidity	10%~95%@35°C, non-condensing
Gross Weight	3kg (6.61 lbs)

Battery LED Indicator

One LED Flashing	0%~5% capacity
One LED Lighting	5%~20% capacity
Two LED Lighting	20%~40% capacity
Three LED Lighting	40%~60% capacity
Four LED Lighting	60%~80% capacity
Five LED Lighting	80%~100% capacity

Ordering Information

- » OPM-P03T-03
2 XXL Battery Kit.Li-ion 3S4P.10.13V.9000mAH.Vplume Order
(via Ocean)

Ubiquitous Power Solution

The genius of the UPower system is in its unique, groundbreaking design. UPower gives you the capability of providing endless power with an innovative dual hot swappable battery architecture that ensures your device remains powered even while you are replacing a battery.

UPower Lite-22 include a voltage selection DC-output that allows users to select the desired voltage setting. Users can select from 12, 19, or 24 volts based on their additional power requirements.

UPower



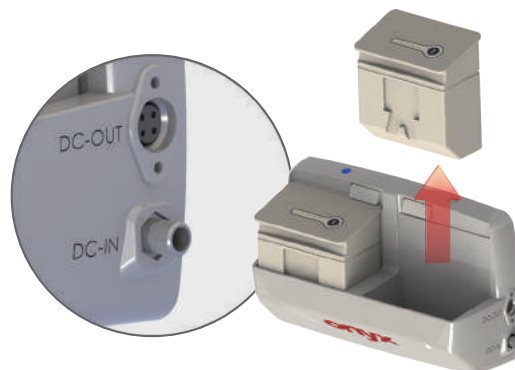
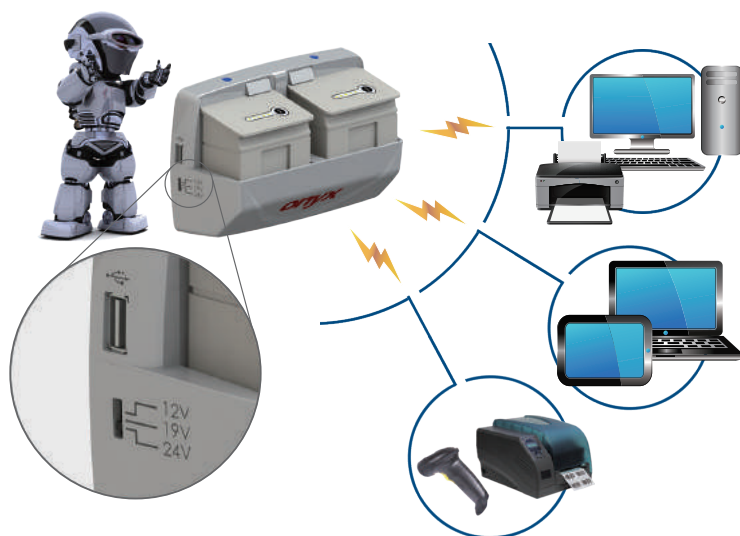
Key Features

- » » External DC output (2 slot only)
- » » Selected voltage (12V / 19V / 24V) (2 slot only)
- » » Non-stop, Dual hot swappable batteries architecture
- » » Software (ORION) remote monitor
- » » Capable of charging 2/6 batteries simultaneously.
- » » 2/6 Independent LED indicators, clearly reveal recharge status
- » » High-speed recharge and over charge protection

UPower

Dual Swappable Batteries

Our UPower give you the capability of providing endless power with its unique swappable battery architecture. You will never again be in danger of losing power when it is most critically needed.

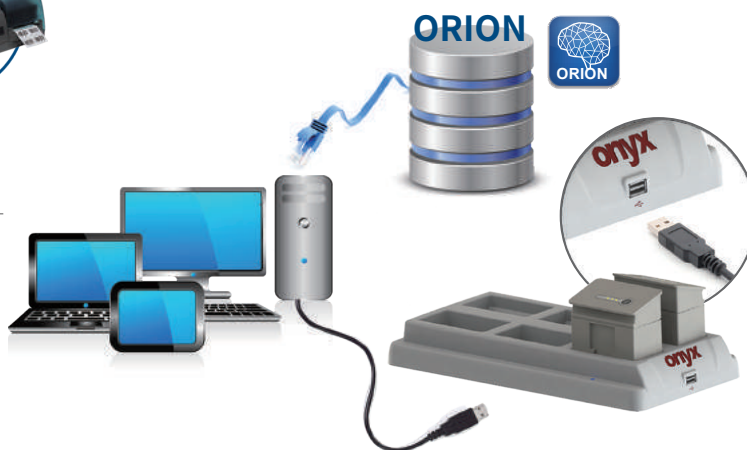


User Selected Voltage

Since electronic devices operate with varying voltage requirements, we created a multi-voltage power bank that allows users to personally select the proper voltage setting. Users can select from 12, 19, or 24 volts based on their needs.

ORION Management

These "smart" power banks can be managed with our new ORION device management software solution that intelligently monitors the status of all the batteries connected to the system.



Vital Sign Application

Hospital intensive care units (ICU) specialize in providing intensive care for patients suffering from severe injuries and life-threatening illness. Patients in intensive care units must be monitored constantly not only by highly trained hospital staff, but also with specialized medical equipment to make sure they remain in stable condition while recovering from serious medical emergencies, or surgery.

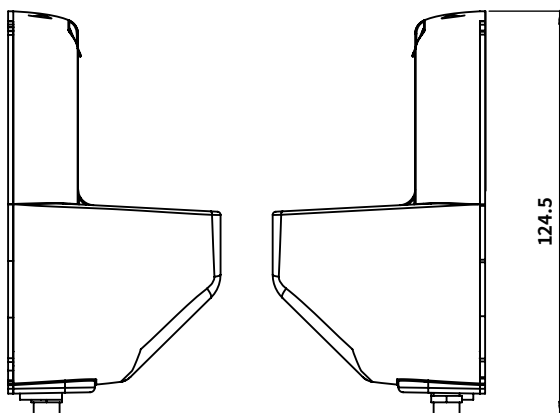
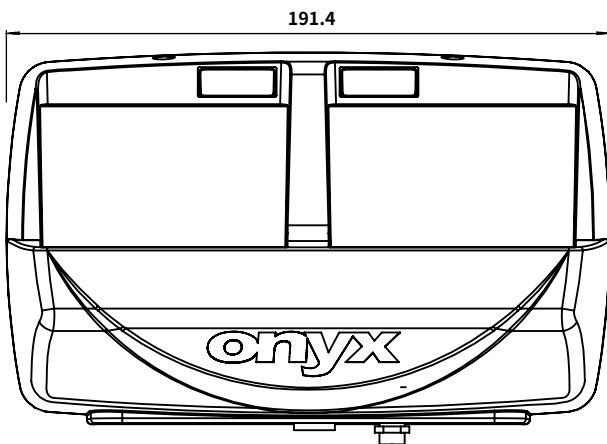
With UPower, battery powered medical devices will never again be in danger of losing power when it is most critically needed—and that's a thought that doctors, patients, and all ICU staff can find reassuring and comforting.



Ubiquitous Power Solution

UPower Pro-22

2-slot charger with 100W DC output



Features

- Compatible with short battery and long battery (XL)
- 100W power output, mini-din 4pin x1
- 10W USB port x1 (power output only)
- Selected voltage (12V / 19V / 24V)
- Non-stop, swappable batteries architecture
- Battery information monitor remotely (ORION)
- Support wall/cart mount. Fitting all environment
- LED indicator, clearly reveal recharge/discharge status

Specifications

Main Specifications

Output Voltage	12/19/24V (can be selected only one voltage)
Output Capacity	100W mini-din 4pin x1; 10W USB Type A x1 (power output only)
Charge Time	3hrs for short battery; 3.5hrs for long battery
Safety	Supports protection from over-voltage (input), over-current (input and output), short circuit, over-charge.
Certification	CE: EN 60601-1-2:2015(V4.0), EN 60601-1:2006/A1:2013(V3.1) FCC: Part 18 Class B UL: ANSI/AAMI ES60601-1:2012 (V3.1) cUL: CAN/CSA-C22.2 No. 60601-1:2014 (V3.1)
IO interface	Mini-din 4pin x1; USB Type A x1 (Power output only); USB micro-B x1(Data transport only); DC-in

Mechanical and Environmental

Architecture	ABS + PC
Color	White
Dimension	191(L) x 64(W) x 117(H) mm
Net Weight	0.67kg (1.47 lbs)
Packing Size	350(L) x 130(W) x 290(H) mm
Gross Weight	2kg (4.41 lbs)
Operating Temperature	0°C ~ 40°C(32°F ~ 104°F)
Storage Temperature	-20°C ~ 60°C(-4°F ~ 140°F)
Storage Humidity	10%~95%@35°C, non-condensing

Battery LED Indicator

Blue Lighting	Full Charge (AC mode)
Blue Flashing	Charging (AC mode)
Green Lighting	Capacity 16%~100% (Battery mode)
Orange Lighting	Capacity 8%~15% (Battery mode)
Purple Lighting	Capacity 0%~7% (Battery mode)
Green-Purple Flashing	Charging error

Power Supply Specification

Input Voltage	100-240V AC @50-60 Hz
Output Power	24V / 6.25A, 150W max

Ordering Information

- » UP-P22-A3-1010
2-slot Charger with DC output + 24V/150W adaptor

Ubiquitous Power Solution

UPower Lite-62

6-slot charger



Features

- Battery information monitor remotely (ORION)
- Capable of charging 6 batteries simultaneously
- 6 Independent LED indicators, clearly reveal recharge status
- High-speed recharge and over charge protection

Specifications

Main Specifications

DC Output Power	N/A
Battery Charge Time	2.5 hrs for 85%, 3.5 hrs for 100%
Input Power	24V/250W adapter
Certification	CE, FCC

Mechanical and Environmental

Architecture	ABS + PC
Color	White
Dimension	304(L) x 154(W) x 41(H) mm
Net Weight	1.16kg (2.56 lbs)
Packing Size	410(L) x 110(W) x 290(H) mm
Gross Weight	3kg (6.61 lbs)
Operating Temperature	0°C ~ 40°C(32°F ~ 104°F)
Storage Temperature	-20°C ~ 60°C(-4°F ~ 140°F)
Storage Humidity	10%~95%@35°C, non-condensing

Battery LED Indicator

Blue Lighting	Full Charge (AC mode)
Blue Flashing	Charging (AC mode)
Green Lighting	N/A
Orange Lighting	N/A
Purple Lighting	N/A
Green-Purple Flashing	N/A

Power Supply Specification

Input Voltage	100-240V AC @50-60 Hz
Output Power	24V / 6.25A, 150W max

Battery Pack (optional)

Battery Type	6/9 Cell Lithium-ion battery
Battery Capacity	5700 / 8550 mAh
Output Voltage	10.8 / 10.95V

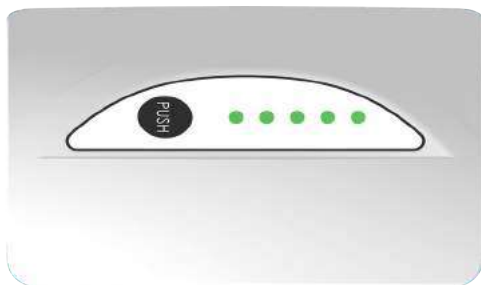
Ordering Information

- » UP-L62-A1-1010
6-slot Charger + 24V/250W adaptor. USB.

Ubiquitous Power Solution

OPM-P02T

2 XL Battery Kit. Li-ion. 10.95V. 8550mAh



Features

- Compatible with all Venus-series and all UPower-series
- X1.5 battery capacity (8550mAh)
- Supports remote management software (ORION)
- Battery capacity indicator button
- Medical grade certified (with Venus)

Specifications

Main Specifications

Battery Type	3S3P / 9 Cell Li-ion battery
Battery Voltage	10.95V
Battery Capacity	8550mAh
Warranty	1 year
Charging time	3hrs for 90% ; 3.5hrs for 100% (with UPower Pro-series)
Safety	Supports protection from over-voltage (input and output), over-current (input and output), short circuit, over-charge, over-discharge, and battery Positive Temperature Coefficient(PTC)
Compatible	Venus all series, UPower all series
Certification	UL, CE, IEC-60950-1, IEC-62133-1

Mechanical and Environmental

Architecture	ABS + PC
Color	White
Dimension	125(L) x 80(W) x 45 (H) mm
Net Weight	0.8kg (1.76 lbs)
Packing Size	230(L) x 200(W) x 85(H) mm
Gross Weight	2kg (4.41 lbs)

Battery LED Indicator

One LED Flashing	0%~5% capacity
One LED Lighting	5%~20% capacity
Two LED Lighting	20%~40% capacity
Three LED Lighting	40%~60% capacity
Four LED Lighting	60%~80% capacity
Five LED Lighting	80%~100% capacity

Ordering Information

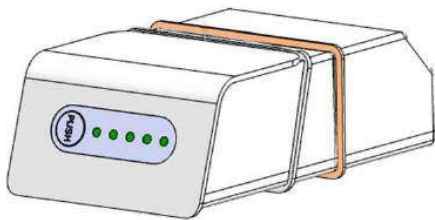
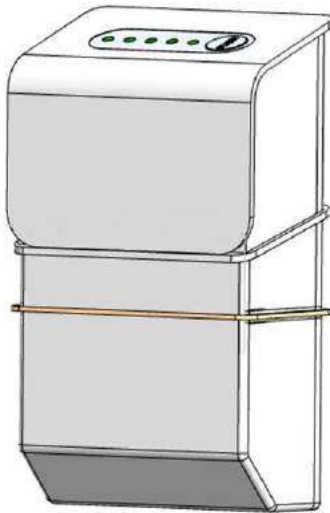
» OPM-P02T-03

2 XL Battery Kit. Li-ion 3S3P.10.95V.8550mAh. Volume Order (via Ocean)

Ubiquitous Power Solution

OPM-P03T

2 XXL Battery Kit. Li-ion. 10.8V. 8710mAh



Features

- Onyx Battery BlueTECH inside
- Smart LED indicator
- Internal history record

Specifications

Main Specifications

Battery Type	3S4P / 12 Cell Li-ion battery
Battery Voltage	10.8V
Battery Capacity	8710mAh
Warranty	1 year
Charging time	3.5hrs with UPower Pro-series
Safety	Supports protection from over-voltage (input and output), over-current (input and output), short circuit, over-charge, over-discharge, and battery Positive Temperature Coefficient(PTC)
Compatible	Venus all series, UPower all series
Certification	UL, CE, IEC-60950-1, IEC-62133-1

Mechanical and Environmental

Architecture	ABS + PC
Color	White
Dimension	150(L) x 80(W) x 45 (H) mm
Net Weight	430g
Packing Size	230(L) x 230(W) x 90(H) mm
Gross Weight	1.5kg (1.98 lbs)
Operating Temperature	0°C ~ 40°C(32°F ~ 104°F)
Storage Temperature	-20°C ~ 60°C(-4°F ~ 140°F)
Storage Humidity	10%~95%@35°C, non-condensing
Gross Weight	3kg (6.61 lbs)

Battery LED Indicator

One LED Flashing	0%~5% capacity
One LED Lighting	5%~20% capacity
Two LED Lighting	20%~40% capacity
Three LED Lighting	40%~60% capacity
Four LED Lighting	60%~80% capacity
Five LED Lighting	80%~100% capacity

Ordering Information

» OPM-P03T-03

2 XXL Battery Kit.Li-ion 3S4P.10.8V.8710mAH.Volume Order
(via Ocean)

ORION-Hospital IT Management Software Package

ORION is a complete software solution that controls every part of your Onyx device infrastructure from the server, to the software manager and client devices. This system works the same way as the email servers we use every day to communicate. Each ORION system has a single server that connects to nursing carts (clients) that push their information to the server (similar to sending an email). The software manager collects information on the server received from the nursing carts to perform further analysis like battery cycle count or capacity attenuation.



Key Features

- » » Everything Remotely
- » » Break Up the Whole Into Parts
- » » To Improve the Quality



+ Remote Backup / Recovery

IT Managers can remotely perform critical operating system backup / recovery operations without having to be at any device's physical location.



+ Remote Update / Installation

System software / firmware installation and updates can also be performed remotely saving valuable time and resources.



+ E-mail Reporting

ORION includes an integrated e-mail client for regularly scheduled event reporting.



+ Battery Diagnostics

With potentially thousands of batteries in use in a single hospital, ORION can monitor them all with diagnostic tools that alert users of any battery-related errors.



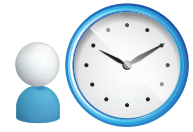
ORION

ORION is a complete software solution that controls every part of your Onyx device infrastructure from the server, to the software manager and client devices. This system works the same way as the email servers we use every day to communicate. Each ORION system has a single server that connects to nursing carts (clients) that push their information to the server (similar to sending an email). The software manager collects information on the server received from the nursing carts to perform further analysis like battery cycle count or capacity attenuation.



+ Real-time Remote Monitoring

Real-time remote monitoring provides quick data feedback to help IT managers diagnose and fix system problems.



+ User-friendly Interface

ORION's user-friendly graphical interface conveniently organizes important data in a way that lets you quickly and easily review systemwide performance.



+ Customizable Dashboard

All IT managers have their own preferences for how to perform their duties. ORION's customizable dashboard gives IT managers the freedom to set operational parameters to their own liking to maximize efficiency.



+ Automated Task Scheduling

With automated task scheduling, ORION takes care of less important repetitive tasks so you can focus on more important priorities.



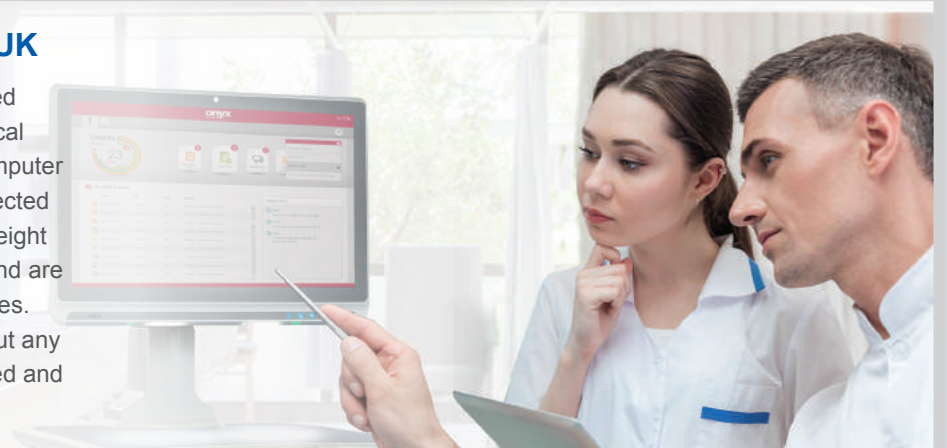
+ Group Settings

Device settings can be managed and saved by groups so that each department in a facility can have custom-managed devices.



Successful Story – NHS in UK

The Trust went live with their EPR called e-Care on 30th April 2016. Parity Medical were the chosen supplier of mobile computer carts. The Parity Infinity carts were selected after trialling as they are light weight, height adjustable, ergonomic, easy to clean and are powered 24/7 by hot swappable batteries. It was a big project that went live without any hiccups. Phase 2 has now been enabled and will be phased in throughout the year.





ORION Remote

Hospital IT Management Software Package

Main Specifications

Component	ORION Server + ORION Manager + ORION Clients
Description	To get the permission to manage ORION Client remotely

CORE FUNCTION

Battery Diagnostics	✓
Friendly UI	✓
Remote Backup/Recovery	✓
Remote Update/Installation	✓
E-Mail Reporting	✓
Automated Task Scheduling	✓
Group Settings	✓
Real-time Remote Monitoring	✓
Customizable Dashboard	✓

Ordering Information

ORION-A01-V2	ORION Air permission (per client)
--------------	-----------------------------------

Hardware Requirement

► ORION Server

CPU	1.6GHz or faster
RAM	1GB
Storage	20MB per client for one month record 10G for 500 clients for one month record
OS	Windows 7, Windows 8.1, Windows 10

► ORION Manager

CPU	1.6GHz or faster
RAM	1GB
Display	DirectX 9-capable video card running at 1024 x 768 or higher display resolution
OS	Windows 7, Windows 8.1, Windows 10
Other	Net Framework 4.0 above

Mobile Medical Assistant

Onyx Mobile Medical Assistant tablets are especially designed to streamline data exchange for EMS and hospitals. With rugged features, high brightness LCD and high performance CPU, these tablets can be operated in harsh environments while delivering superb performance and a crystal clear image. Onyx Mobile Medical Assistant tablets help eliminate medical paperwork by automating EMS and hospital workflows allowing paramedics and nurses to instantly access and document patient records.

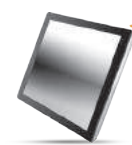


Key Features

- » » Effortless data collection and documentation with significant error reduction
- » » Seamless integration of medical devices
- » » Medical & ambulance dual certifications
- » » Continuous power for 24/7 non-stop operation
- » » Rugged design for outdoor and indoor use
- » » Reduce hospital and ambulance service TOC

✚ Light weight & compact size

The weight of MD101 is less than 1kg, and the compact size design let user can easy to carry the device to anywhere they want.



✚ 10 points PCT touch Screen

Multi-touch has been implemented in several different ways. MD series provides 10 points touch functions to the user to do any control missions.



✚ Windows OS support

MD series is supported by Windows OS which has good compatibility to the other medical device. The same windows user interface let user can easy to make use of the device.



✚ Wi-Fi and Bluetooth V4.0 support

MD series has designed Wi-Fi 802.11b/g/n and 2.4GHz/ BT v4.0 inside. It help user easy to receive and deliver the medical data to other devices.



✚ Long term product life time support

ONYX provides stable and long term support to our customers. Customers could focus on business promotion and product development.



Mobile Medical Assistant MD116/MD116I

12" Rugged EMS Tablet



Features

- Intel® Apollo Lake processor / Sky Lake U processor
- Dual hot-swappable batteries for 24/7 operation
- Dual smart card readers for multiple-care workflow
- Standard USB Type-A and RJ45 for easy connection to medical devices
- IP54 certified & 3 feet drop resistant
- ORION client compatible
- Instant vehicle docking system
- Automotive Directive and EN1789 certified for ambulances/medical transportation vehicles

Specifications

Main Specifications

Processor	Intel® Apollo Lake Processor	Intel® Sky Lake U Processor
System Memory	DDR3L SO-DIMM x1, Default 4 GB (Up to 8 GB)	DDR4 SO-DIMM x1, Default 4 GB (Up to 8 GB)
OS Support	Microsoft® Windows 10 IOT LTSC	
Storage	M.2 Interface x1, Default 64 GB	
Wireless Communication	802.11 a/b/g/n + BT4.0 (Optional)	
Camera	2 MP (Front) / 5 MP (Rear)	
Touchscreen	Projected Capacitive Touchscreen, w/Gorilla Glass	
Digital Accelerometer	ADI ADXL345	
Ambient Light Sensor	TAOS TSL2581	
LTE+GPS	Telit LN930 x 2 (Optional)	Telit LN930 x 1 (Optional)
Function Keys	x2	
LED Indicators	x2	
Speaker	3W x1	
Internal Mic	x1	
Power Requirement	DC 12V	
Security	Smart Card Reader x2 (Optional), RFID x1 (Optional)	

Display

Display Size	11.6" 16:9 Widescreen LED Panel
Resolution	FHD 1920 x 1080
Max. Colors	16.7M
Contrast Ratio	800:1
Luminance (cd/m2)	600nits

I/O

USB	USB 3.0 (Type-A) x1, USB 2.0 (Type-A) x1
Ethernet	Gigabit LAN x1
DC-In	DC-In Jack x1
Docking	Docking Connector x1

Battery Pack

Battery Type	Polymer	
Battery Capacity	4545 mAh (32.72Wh) x2	
Battery Run Time	Approx. 8 hrs	Approx. 3.5 hrs

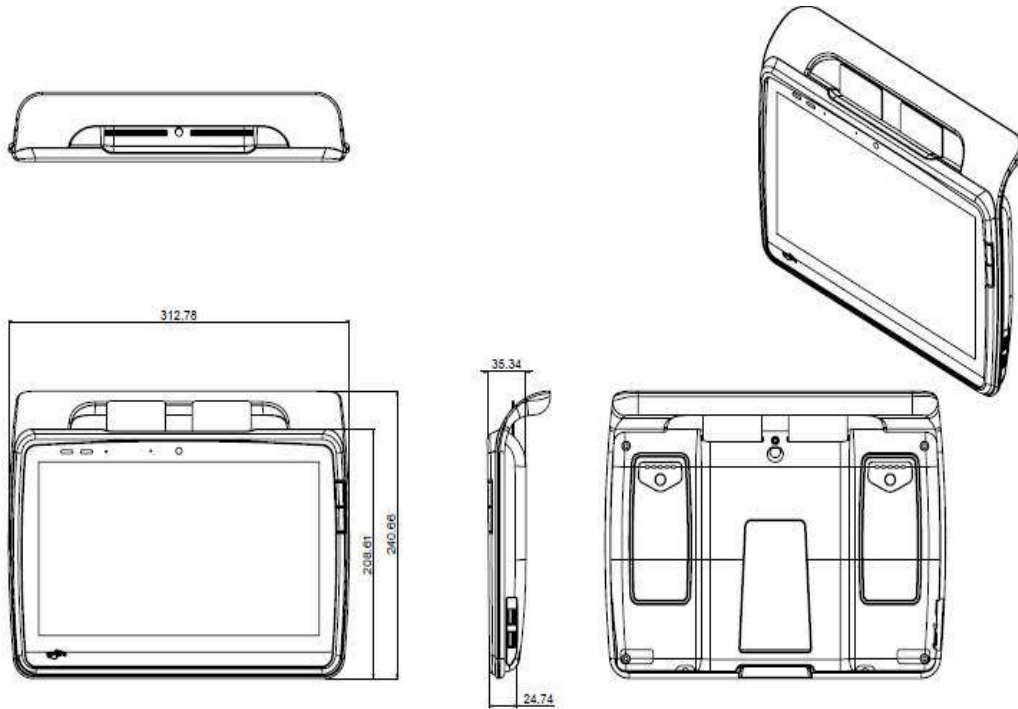
Mechanical and Environmental

VESA	VESA 75 via docking station
Operating Temperature	-10°C ~ 55°C (14°F ~ 131°F)
Storage Temperature	-20°C ~ 60°C (-4°F ~ 140°F)
Storage Humidity	10%~95%@35°C, non-condensing
Dimensions	312 (W) x 239 (H) x 37 (D) mm
Net Weight	Approx. 1.45~1.8 kg
Certifications	CE: EN 60601-1-2:2015(V4.0), EN 60601-1:2006/A1:2013(V3.1) EN 300 328 (V2.1.1), EN 301 893 (V2.1.1) FCC: Part 18 Class B, Part 15 C/E UL: ANSI/AAMI ES60601-1:2012 (V3.1) cUL: CAN/CSA-C22.2 No. 60601-1:2014 (V3.1)

Docking Station

Power	DC 12V
Battery	4545 mAh (32.72Wh) x2
USB	USB 3.0 (Type-A) x1, USB 2.0 (Type-A) x1
Ethernet	Gigabit LAN x1

Dimensions / Unit: mm



Ordering Information

» ONYX-MD116ST-A1-1011

11.6" FHD 600 nits, Gorilla PCT, Apollo Lake N4200, 4 GB RAM, 64 GB SSD, Dual Camera, Dual SCR, RFID, WiFi/BT, Dual Battery, Power Adapter; no GPS/LTE or OS.

» ONYX-MD116IST-A1-1011 (Coming by 2018 Q3)

11.6" FHD 600 nits, Gorilla PCT, Sky Lake Core i5, 4 GB RAM, 64 GB SSD, Dual Camera, Dual SCR, RFID, WiFi/BT, Dual Battery, Power Adapter; no GPS/LTE or OS.

Optional Accessories

Vehicle Docking



PN:OPM-T016-A1

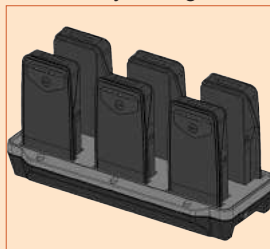
VESA Cradle



Desk Docking Station



Battery Charger



Shoulder Strap



Stylus



Mobile Medical Assistant

MD101

10.1" Rugged Medical Tablet



Features

- Intel® Cherry Trail processor
- Slim & lightweight design for clinical mobility
- Long battery life for intensive care services
- Standard USB Type-A for easy connection to medical devices
- IP54 certified & 3 feet drop resistant
- ORION client compatible
- VESA mounting via adapter
- EN60601-1 & UL60601-1 Certified
- Ergonomic design adapted for portable and cart use
- Windows 10 and Android 6.0 available

Specifications

Main Specifications

Processor	Intel® Cherry Trail QC Processor Z8350 1.44 GHz	
System Memory	2 / 4 GB	
OS Support	Microsoft® Windows 10 IOT LTSC	Android 6.0
Storage	eMMC 64 /128 GB	
Wireless Communication	802.11 a/b/g/n+BT 4.0	
Gyroscope Sensor	Bosch BMG 160	
Camera	2 MP (Front) / 8 MP (Rear)	
Touchscreen	Projected Capacitive Touchscreen , w/Gorilla Glass	
Accelerometer Sensor	Bosch BMC150	
Ambient Light Sensor	Capella CM3218	
Power Button	x1	
Volume Keys	x2	
Speakers	3 W x2	
Internal Mic	x1	
Alarm Light	x1 (Optional)	
Power Requirement	DC 15 V	

Display

Display Size	10.1" 16:10 Wide Screen LED Panel	
Resolution	FHD 1920 x 1200	
Max. Colors	16.7 M	
Contrast Ratio	800:1	
Luminance (cd/m2)	300 nits	

I/O

USB	USB 3.0 (Type-A) x1	
Audio Out / Mic In	3.5 mm Combo Audio Jack x1	N/A
Video Out	Micro HDMI x1 (Optional)	
DC-In	x1	

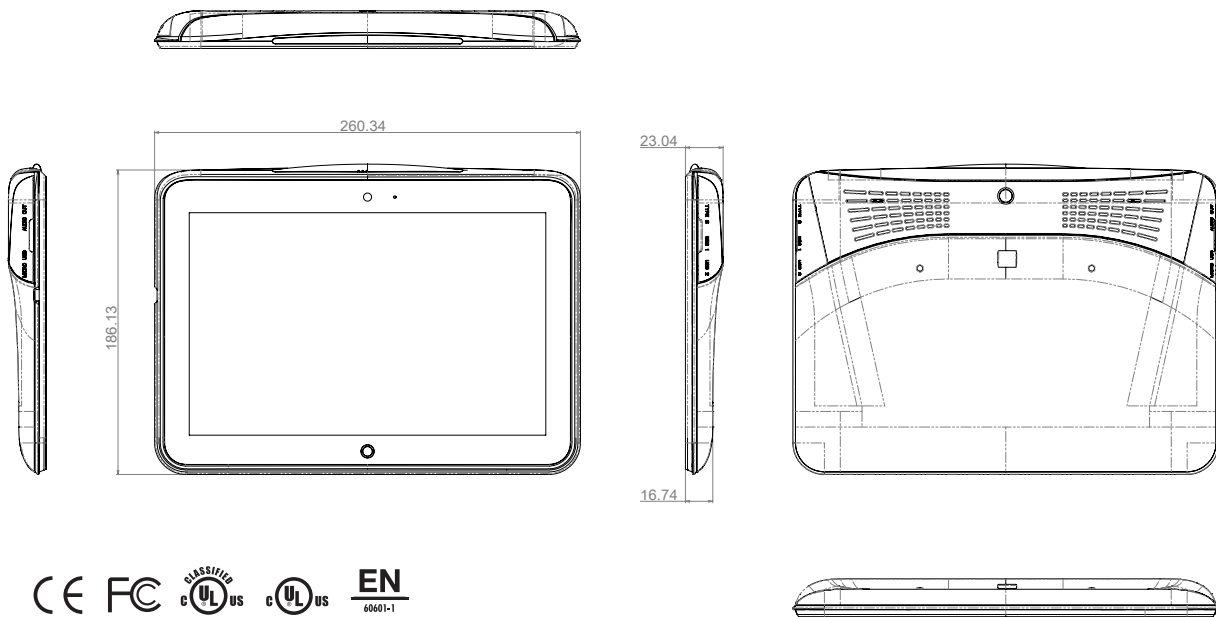
Battery Pack

Battery Type	Lithium-Ion	
Battery Capacity	4090mAh (46.62 Wh)	
Battery Run Time	Approx. 8 hrs	

Mechanical and Environmental

VESA	VESA 75 via cradle	
Operating Temperature	-10° C ~ 55° C (14° F ~ 131° F)	
Storage Temperature	-20° C ~ 60° C (-4° F ~ 140° F)	
Storage Humidity	10%~95%@35°C, non-condensing	
Dimension	260 (W) x 186 (H) x 23 (D) mm	
Net Weight	Approx. 1 kg	
Certifications	CE: EN 60601-1-2:2015(V4.0), EN 60601- 1:2006/A1:2013(V3.1) EN 300 328(V2.1.1), EN 301 893 (V2.1.1) FCC: Part 18 Class B, Part 15 C/E UL: ANSI/AAMI ES60601-1:2012 (V3.1) cUL: CAN/CSA-C22.2 No. 60601-1:2014 (V3.1)	

Dimensions / Unit: mm



Ordering Information

» ONYX-MD101ST-A1-1010

10.1" FHD 300nits, Gorilla PCT, Cherry Trail Z8350, 4G RAM, 128G eMMC, Dual Camera, WiFi/BT, Battery, Adapter; but without OS.

» ONYX-MD101ST-A1-1011(Coming by 2018 Q2)

10.1" FHD 300nits, Gorilla PCT, Cherry Trail Z8350, 4G RAM, 128G eMMC, Dual Camera, WiFi/BT, Battery, Adapter, Android ,but without:Audio Jack.

VESA Cradle



PN:OPM-T019-A1

Surgical and Server Level Workstation Solution

Zeus is the symbol of strength and power, and so does our Medical Station Zeus. It was designed to fulfill surgical high spec requirements such as OR, ICU, ER and Reading Room. Zeus's isolated ports are extremely important as they will connect to devices that are directly connected to the patient. Onyx has spent two years developing the new Zeus Series, the Smart View Medical Station, and it gives doctors crystal clear imaging when viewing PAC, ENDO, or just EMR. Other than surgical suite, Zeus all in one high performance spec will also benefit in ambulatory care, telemedicine, and administration.



Smart View Design with Worldwide Patents

- » 32"/24"/22"/19" Medical Grade MVA panel. Compared to a normal monitor or industrial LCD, Zeus has rich color content and high contrast ratio. extremely vivid.
- » Multi-touch PCT screen. It guarantees double OR gloves usage, 10 billion click life and up to 95% transparency rate. Zeus enhance the screen performance over 15%.
- » Flat and edgeless ID design give doctors the best-in-market user interaction experience. White color bezel makes cleaning very easy.
- » Patented smart multi function OSD keys covers up to 10 features for RFID, Reading light, display mode, speaker volume, LCD brightness, etc. Zeus can also offer customization.

⊕ 1st Intel® Quad Core i7 Platform for Critical Applications

Zeus Series offer ultra high performance Intel® Core i7 LV Dual Core /Quad Core Smart View Medical Station.



⊕ Super 3.0 for USB, SATA and PCI-e

Still looking for a faster solution to upload or download medical records?! Zeus comes with latest high speed I/O design (USB3.0, SATA3.0, PCI-E3.0). Super 3.0 gives ten times data rate than before.



⊕ DICOM Compliance Display

Zeus supports DICOM Part 14: Grayscale Standard Display Function to display accurate radiology PACS images such as ultrasound, endoscope, CT and MRI images. Users can switch the system from HIS, EMR to PACS or Endo with ease.



⊕ MIS with Remote Control Power

Onyx's cooperation with Intel allows Zeus to carry iAMT technology. The MIS manager can handle hundreds, even thousands of Zeus stations from the central room in real time. Hospital IT departments can save huge amounts of time and money on routine maintenance.



⊕ Triple Isolation Protection to Patient

Medical isolation rating is 4kV rms (IEC 60601-1), which is crucial to protect patients, operators and medical equipment from harmful surges or spikes in the electrical signal. Zeus offers COM port, USB port and Ethernet Port isolation. We set the highest standard for patient and medical uses.



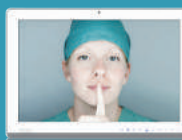
⊕ Backup Battery for Uninterruptible Power Supply

Optional built-in battery provides backup power supply for at least 10 minutes to prevent the system from unexpected power disruption.



⊕ Full SDK for Enhanced Functions Development

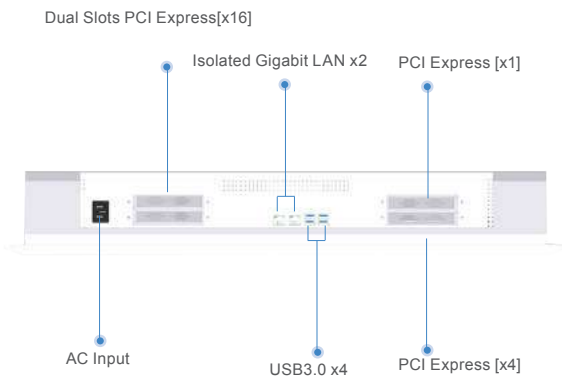
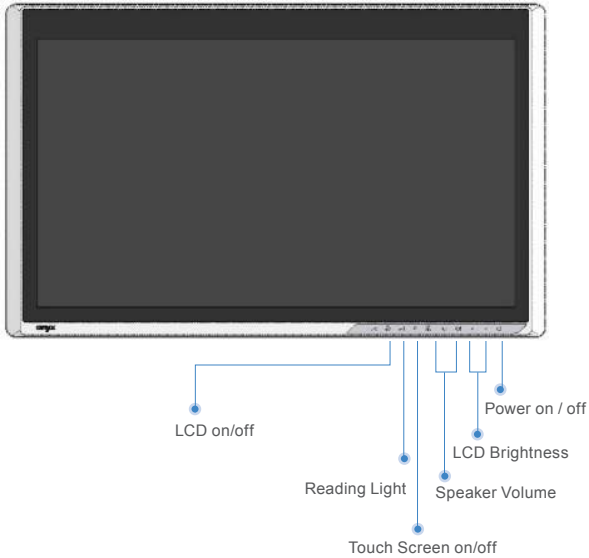
ONYX offers "Access Manager", "Power Monitor", "Control Kit", "Security Watcher" to let system integrators to quickly and efficiently create enhanced and customized environment.



Surgical and Server Level Workstation

ZEUS-329

32" 4K UHD Smart View 6th Generation Xeon / Core i7 Multi-Touch Medical Station



Features

- Intel® 6th Generation Xeon E3-1505M v5 2.8GHz Quad Core / Core i7-6820EQ 2.8GHz Quad Core
- 32" UHD 3840x2160 300/650-nit High Contrast LCD
- Supports ECC / Non-ECC DDR4 SODIMM up to 32GB
- Capacitive Multi-Touch Screen
- 10 Programmable Smart Function Keys with Dual Colors LED Status Indication
- LAN/USB(optional)/COM(optional) Medical Isolation
- Dual Slots PCI Express[x16] x1, PCI Express[x4] x1, PCI Express[x1]x1 Super Speed 10Gb/s USB 3.1 Port
- Trusted Platform Module 2.0
- Remote Management: Intel Active Management Technology
- 100V to 240V AC Input

Specifications

Main Specifications

Processor	Intel® 6th Generation Xeon E3-1505M v5 2.8GHz Quad Core / Core i7-6820QE 2.8GHz Quad Core
Chipset	CM236 (for Xeon) / QM170(for Core i7)
System Memory	ECC (for Xeon) / Non-ECC (for Core i7) DDR4 SODIMM up to 32GB
Expansion	PCI Express[x16] x1, PCI Express[x4] x1, PCI Express[x1] x1)
Storage Disk Drive	2.5" SATA Hard Disk Drive/Solid State Disk Drive x4
Security	Trusted Platform Module 2.0
Wireless Communication	802.11ac/a/b/g/n, Bluetooth V4.1
Speaker	5W x 2
Function Key	Power On/Off, Speaker Volume Up/Down, LCD Brightness Up/Down, LCD On/Off, Touch Screen On/Off
Power Requirement	100~240V AC
OS Support	Windows® 7, Windows® 8.1, Windows® 10, Linux®

Display

Size	31.5" LCD
Resolution	3840 x 2160
Luminance	300 nits / 650 nits
View Angle	178°(H)/178°(V)
Contrast Ratio	3000:1 / 1700:1
Back Light Life Time	30,000 Hours / 40,000 Hours
Touch Screen	Capacitive Multi-Touch

I/O

USB	USB 3.0 x4
Serial Port	Isolated RS-232 x2(optional)
Ethernet	Isolated Gigabit LAN x2
Audio	Mic(optional), Line out(optional)
Video Out	Display Port x1(optional)

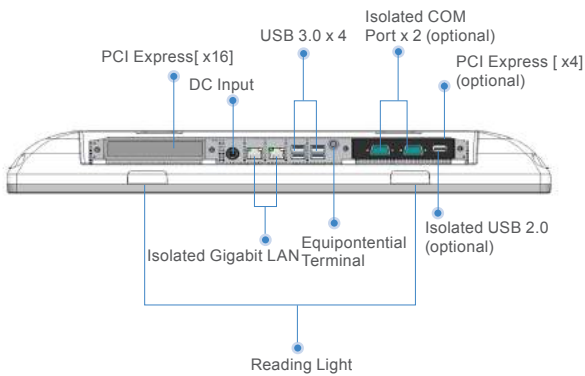
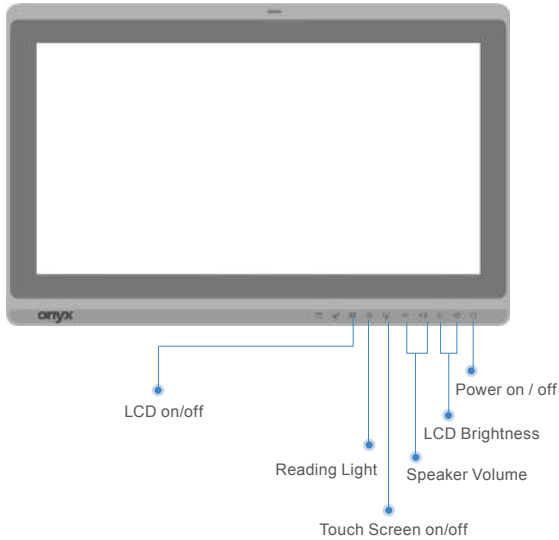
Mechanical and Environmental

Power Consumption	TBD
Operating Temperature	0°C ~ 40°C(32°F ~ 104°F)
Storage Temperature	-20°C ~ 60°C(-4°F ~ 140°F)
Mounting	VESA 100mm
Degree of Protection	IP54
Net Weight	TBD
Package Dimension (W x D x H)	TBD
Certifications	CE: EN 60601-1-2:2015(V4.0), EN 60601-1:2006/A1:2013(V3.1) FCC: Part 18 Class B UL: ANSI/AAMI ES60601-1:2012 (V3.1) cUL: CAN/CSA-C22.2 No. 60601-1:2014 (V3.1)

Surgical and Server Level Workstation

ZEUS-249

24" Smart View 6th Generation Xeon /Core i7 Multi-Touch Medical Station



Features

- Intel® 6th Generation Xeon E3-1505M v5 2.8GHz Quad Core / Core i7-6820EQ 2.8GHz Quad Core
- 24" 250-nit Full HD High Contrast LCD
- Supports ECC / Non-ECC DDR4 SODIMM up to 32GB
- Capacitive Multi-Touch Screen
- 10 Programmable Smart Function Keys with Dual Colors LED Status Indication
- LAN/USB(optional)/COM(optional) Medical Isolation
- PCI Express[x16] x1, PCI Express[x4] x1
- Super Speed 10Gb/s USB 3.1 Port
- Trusted Platform Module 2.0
- Remote Management: Intel Active Management Technology
- +12V DC Input

Specifications

Main Specifications

Processor	Intel® 6th Generation Xeon E3-1505M v5 2.8GHz Quad Core / Core i7-6820QE 2.8GHz Quad Core
Chipset	CM236 (for Xeon) / QM170(for Core i7)
System Memory	ECC (for Xeon) / Non-ECC (for Core i7) DDR4 SODIMM up to 32GB
Expansion	PCI Express[x16] x1, PCI Express[x4] x1
Storage Disk Drive	2.5" SATA Hard Disk Drive/Solid State Disk Drive x4
Security	Trusted Platform Module 2.0
Wireless Communication	802.11ac/a/b/g/n, Bluetooth V4.1
Speaker	5W x 2
Function Key	Power On/Off, Speaker Volume Up/Down, LCD Brightness Up/Down, LCD On/Off, Touch Screen On/Off
Power Requirement	+12V DC
OS Support	Windows® 7, Windows® 8.1, Windows® 10, Linux®

Display

Size	24" LCD
Resolution	1920 x 1080
Luminance	250nits
View Angle	178°(H)/178°(V)
Contrast Ratio	3000:1 / 1700:1
Back Light Life Time	30,000 Hours / 40,000 Hours
Touch Screen	Capacitive Multi-Touch

I/O

USB	USB 3.0 x4
Serial Port	Isolated RS-232 x2(optional)
Ethernet	Isolated Gigabit LAN x2
Audio	Mic(optional), Line out(optional)
Video Out	Display Port x1(optional)

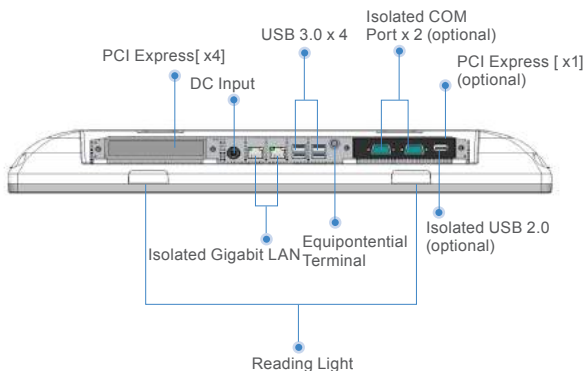
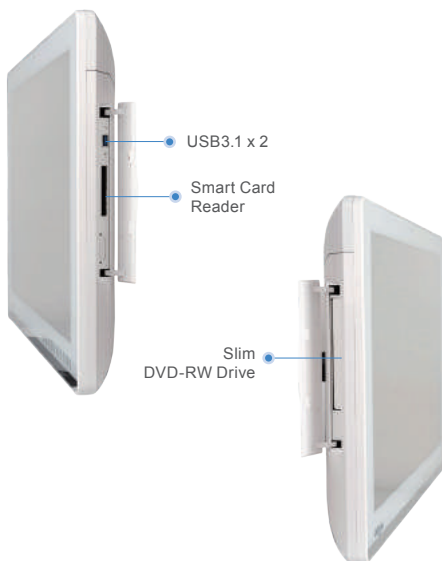
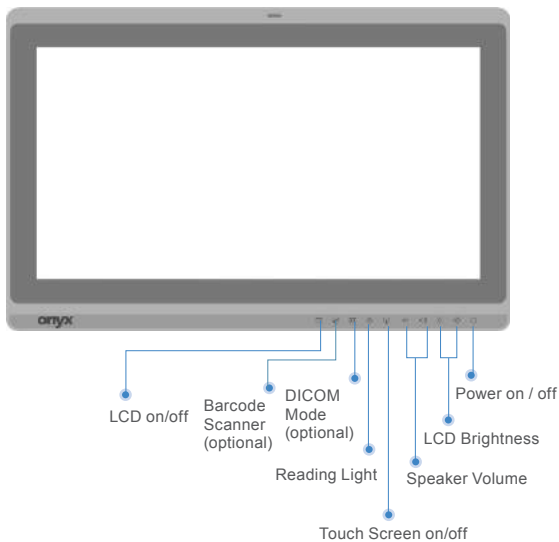
Mechanical and Environmental

Power Consumption	TBD
Operating Temperature	0°C ~ 40°C(32°F ~ 104°F)
Storage Temperature	-20°C ~ 60°C(-4°F ~ 140°F)
Mounting	VESA 100mm
Degree of Protection	IP54
Net Weight	TBD
Package Dimension (W x D x H)	TBD
Certifications	CE: EN 60601-1-2:2015(V4.0), EN 60601-1:2006/A1:2013(V3.1) FCC: Part 18 Class B UL: ANSI/AAMI ES60601-1:2012 (V3.1) cUL: CAN/CSA-C22.2 No. 60601-1:2014 (V3.1)

Surgical and Server Level Workstation

ZEUS-248

24" Fanless Smart View 6th Generation Core i7 Multi-Touch Medical Station



Features

- Intel® 6th Generation Core i7-6600U 3.4GHz Dual Core Processor
- 24" 250-nit Full HD High Contrast MVA LCD
- Supports DDR4 SODIMM up to 32GB
- Capacitive Multi-Touch Screen / 5 Wire Resistive Touch Screen
- Easy Cleaning Flat Screen
- 10 Programmable Smart Function Keys with Dual Colors LED Status Indication
- LAN/USB(optional)/COM(optional) Medical Isolation
- Super Speed 10Gb/s USB 3.1 Port
- PCI Express[x4] x 1, PCI Express[x1] , PCI x1(optional)
- Trusted Platform Module / Smart Card Reader(optional) / RFID Reader(optional)
- Remote Management: Intel Active Management Technology
- +12V to +24V wide range DC input
- 22Wh Backup Battery(optional)

Specifications

Main Specifications

Processor	Intel® 6th Generation Core i7-6600U 3.4GHz Dual Core
System Memory	DDR4 SODIMM up to 32GB
Expansion	PCI Express[x4] x 1, PCI Express[x1] , PCI x1(optional)
Storage Disk Drive	2.5" SATA Hard Disk Drive/SSD x 1 Slim DVD-RW Drive x 1(optional) M.2 SSD x 1
Security	Trusted Platform Module, Smart Card reader(optional), RFID(optional)
Wireless Communication	802.11a/b/g/n/ac(optional), Bluetooth 4.0 (optional)
Speaker	5W x 2
Function Key	Speaker Volume Up/Down, LCD Brightness Up/Down, LCD On/Off, Touch Screen On/Off, DICOM Mode(optional), Reading Light On/Off
Power Requirement	DC 12~24V, 22Wh Back Up Battery(optional)
OS Support	Windows® 7, Windows® 8.1, Windows® 10, Linux®

Display

Size	24" LCD
Resolution	1920 x 1080
Luminance	250 nits
View Angle	178°(H)/178°(V)
Contrast Ratio	3000:1
Back Light Life Time	30,000 Hours
Touch Screen	Capacitive Multi-Touch/5-Wire Resistive

I/O

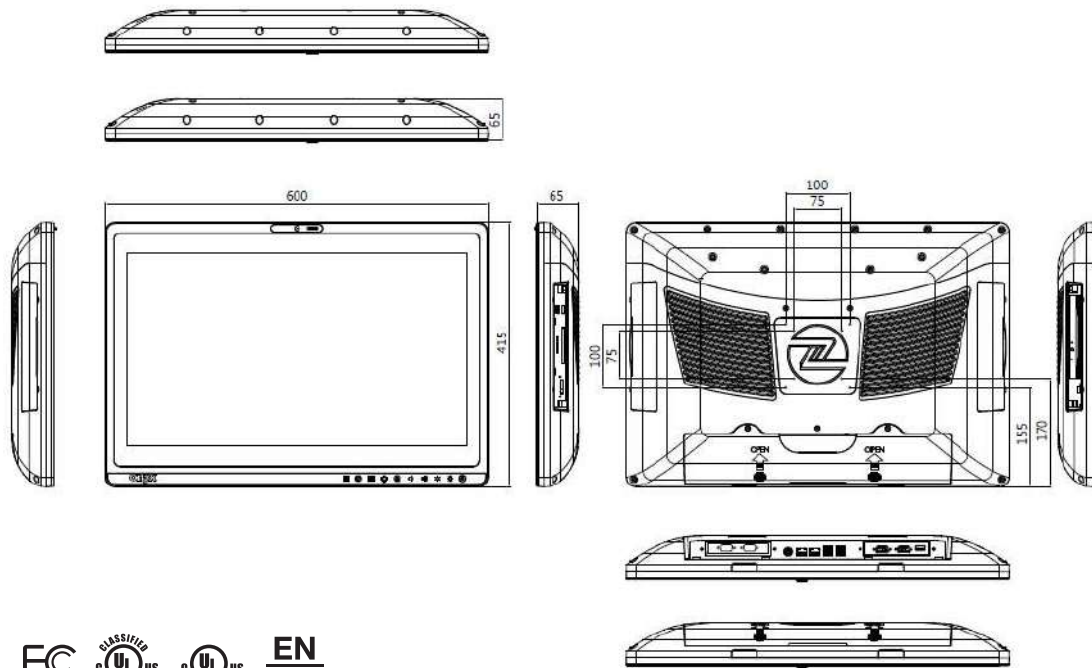
USB	USB 3.0 x 4, USB 3.1 x 2(in side I/O), Isolated USB 2.0 x1(optional)
Serial Port	Isolated RS-232 x 2(optional)
Ethernet	Isolated Gigabit LAN x 2
Audio	Mic(optional)/ Line out(optional)
Video Out	Display Port x 2(optional)

Mechanical and Environmental

Power Consumption	Full Loading: 60 Watts
Operating Temperature	0°C ~ 40°C(32°F ~ 104°F)
Storage Temperature	-20°C ~ 60°C(-4°F ~ 140°F)
Mounting	VESA 75/100 mm
Degree of Protection	IP65 in the front, IP54 in the back
Net Weight	9.2kg (20.28lb)
Package Dimension (W x D x H)	790 x 220 x 550mm
Certifications	CE: EN 60601-1-2:2015(V4.0), EN 60601-1:2006/A1:2013(V3.1) FCC: Part 18 Class B UL: ANSI/AAMI ES60601-1:2012 (V3.1) cUL: CAN/CSA-C22.2 No. 60601-1:2014 (V3.1)

24" Fanless Smart View 6th Generation Core i7 Multi-Touch Medical Station

Dimension / Unit: mm



Ordering Information

- | | |
|--|---|
| » ZEUS-248ST-A1-1010
Medical Station.i7-6600U.4GB RAM.24" LCD.12~24V.Capacitive Touch | » ZEUS-248ET-A1-1010
Medical Station.i7-6600U.4GB RAM.24" LCD.12~24V.Resistive Touch |
| » ZEUS-248ST-A2-1010
Medical Station.i5-6300U.4GB RAM.24" LCD.12~24V.Capacitive Touch | » ZEUS-248ET-A2-1010
Medical Station.i5-6300U.4GB RAM.24" LCD.12~24V.Resistive Touch |
| » ZEUS-248ST-A3-1010
Medical Station.i3-6100U.4GB RAM.24" LCD.12~24V.Capacitive Touch | » ZEUS-248ET-A3-1010
Medical Station.i3-6100U.4GB RAM.24" LCD.12~24V.Resistive Touch |

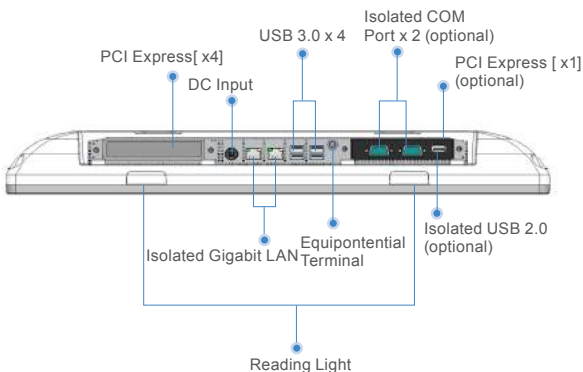
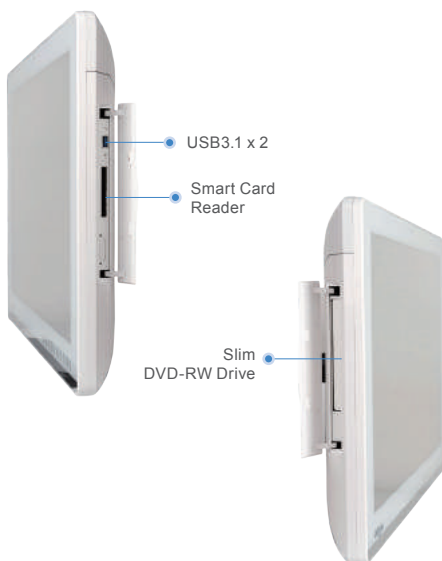
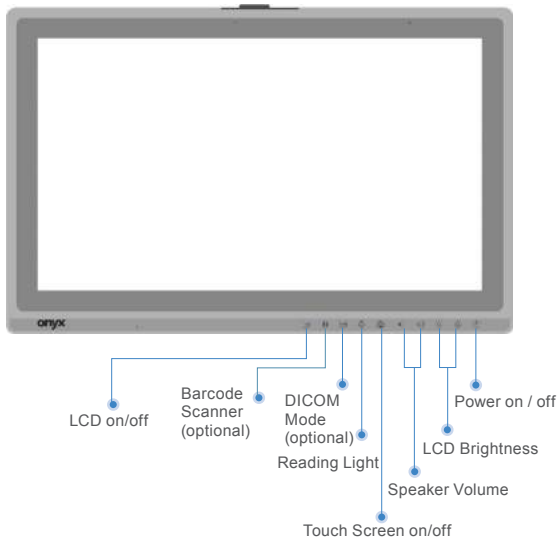
Optional Accessories

- | | |
|---|--|
| » 1255301202
Medical Power Adapter, 120W, 24V | » OPM-V03B-A2
One Display Port Kit |
| » OPM-C16W-A6
Mini Card WLAN Kit, IEEE 802.11a/b/g/n + Bluetooth 4.0 | » OPM-T017-A1
Hot Swap Rack w/Lock Kit for 2.5" HDD/SSD |
| » OPM-T003-A3
Slim Slot-in DVD-RW Drive | » OPM-T012-A2
Two RS-232 Kit |
| » OPM-T006-A1
Smart Card Reader Kit | » OPM-V04B-A1
DICOM Kit |
| » OPM-P03C-A4
22Wh Backup Battery | » OPM-R02X-A1
PCI Express [X1] Riser Kit |
| » OPM-C02C-A4
Two Isolated RS-232 PCIe Card | » OPM-R01P-A1
PCI Riser Kit |
| » OPM-C02C-A3
One Isolated USB 2.0 + Two Isolated R-232 PCIe Card | » OPM-U01T-A1
Line-out/Line-in/Mic Kit |
| » OPM-V03B-A1
One Display Port + Two RS-232 Kit | » OPM-S05R-A3
RFID Reader Kit |

Surgical and Server Level Workstation

ZEUS-228

22" Fanless Smart View 6th Generation Core i7 Multi-Touch Medical Station



Features

- Intel® 6th Generation Core™ i7-6600U 3.4GHz Dual Core Processor
- 22" 250nits Full HD High Contrast MVA LCD
- Support DDR4 SODIMM up to 32GB
- Capacitive Multi-Touch Screen / 5 Wire Resistive Touch Screen
- Easy Cleaning Flat Screen
- 10 Programmable Smart Function Keys with Dual Colors LED Status Indication
- LAN /USB (optional)/COM(optional) Medical Isolation
- Super Speed 10Gb/s USB 3.1 Port
- PCI Express[x4] x 1, PCI Express[x1] , PCI x1(optional)
- Trusted Platform Module/Smart Card Reader(optional)/RFID Reader(optional)
- Remote Management : Inte Active management Technology
- +12V to +24V Wide Range DC Input
- 22Wh Backup Battery (optional)

Specifications

Main Specifications

Processor	Intel® 6th Generation Core i7-6600U 3.4GHz Dual Core
System Memory	DDR4 SODIMM up to 32GB
Expansion	PCI Express[x4] x 1, PCI Express[x1] , PCI x1(optional)
Storage Disk Drive	2.5" SATA Hard Disk Drive/SSD x 1 Slim DVD-RW Drive x 1(optional) M.2 SSD x 1
Security	Trusted Platform Module, Smart Card reader(optional), RFID(optional)
Wireless Communication	802.11a/b/g/n/ac(optional), Bluetooth 4.0 (optional)
Speaker	5W x 2
Function Key	Speaker Volume Up/Down, LCD Brightness Up/Down, LCD On/Off, Touch Screen On/Off, DICOM Mode(optional), Reading Light On/Off
Power Requirement	DC12~24V, 22Wh Back up battery(optional)
OS Support	Windows® 7, Windows® 8.1, Windows® 10, Linux®

Display

Size	22" LCD
Resolution	1920 x 1080
Luminance	250 nits
View Angle	178°(H)/178°(V)
Contrast Ratio	3000:1
Back Light Life Time	30,000 Hours
Touch Screen	Capacitive Multi-Touch/5-Wire Resistive

I/O

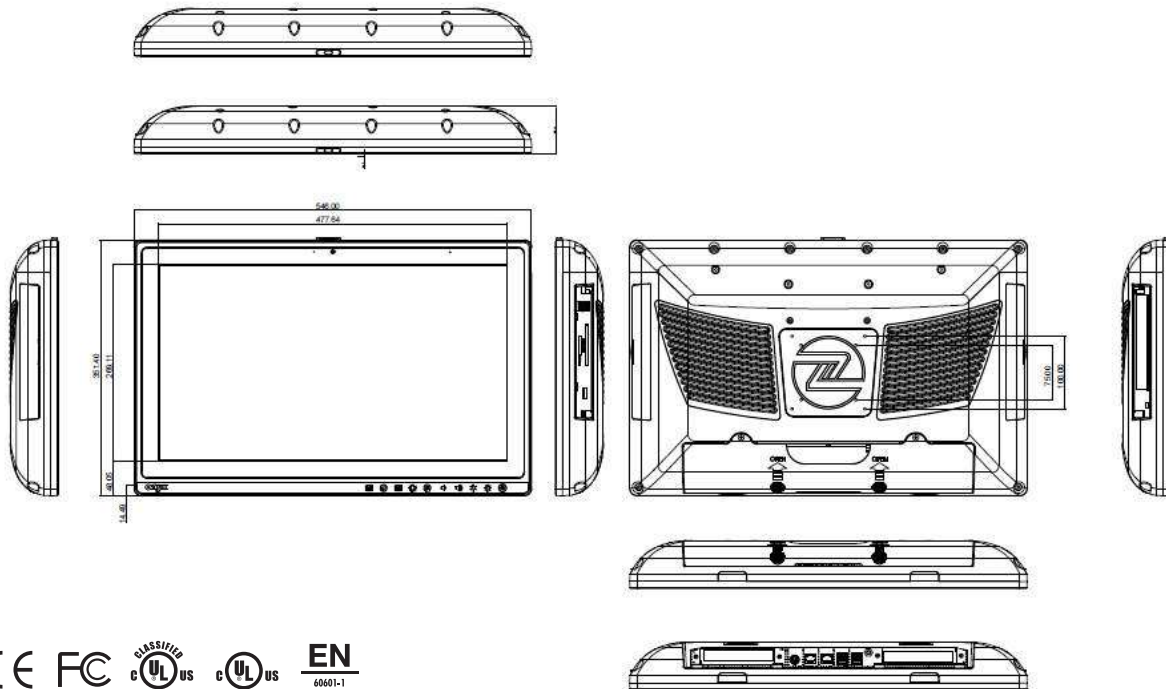
USB	USB 3.0 x 4, USB 3.1 x 2(side I/O) Isolated USB 2.0(optional)
Serial Port	Isolated RS-232 x 2(optional)
Ethernet	Isolated Gigabit LAN x 2
Video Out	Display Port x 2 (optional)

Mechanical and Environmental

Power Consumption	Full Loading: 55 Watts
Operating Temperature	0°C ~ 40°C(32°F ~ 104°F)
Storage Temperature	-20°C ~ 60°C(-4°F ~ 140°F)
Mounting	VESA 75/100 mm
Degree of Protection	IP65 in the front, IP54 in the back
Net Weight	8kg (17.6lb)
Package Dimension (W x D x H)	750 x 220 x 490mm
Certifications	CE: EN 60601-1-2:2015(V4.0), EN 60601-1:2006/A1:2013(V3.1) FCC: Part 18 Class B UL: ANSI/AAMI ES60601-1:2012 (V3.1) cUL: CAN/CSA-C22.2 No. 60601-1:2014 (V3.1)

22" Fanless Smart View 6th Generation Core i7 Multi-Touch Medical Station

Dimension / Unit: mm



Ordering Information

- | | |
|--|---|
| » ZEUS-228ST-A1-1010
Medical Station.i7-6600U.4GB RAM.22" LCD.12~24V.Capacitive Touch | » ZEUS-228ET-A1-1010
Medical Station.i7-6600U.4GB RAM.22" LCD.12~24V.Resistive Touch |
| » ZEUS-228ST-A2-1010
Medical Station.i5-6300U.4GB RAM.22" LCD.12~24V.Capacitive Touch | » ZEUS-228ET-A2-1010
Medical Station.i5-6300U.4GB RAM.22" LCD.12~24V.Resistive Touch |
| » ZEUS-228ST-A3-1010
Medical Station.i3-6100U.4GB RAM.22" LCD.12~24V.Capacitive Touch | » ZEUS-228ET-A3-1010
Medical Station.i3-6100U.4GB RAM.22" LCD.12~24V.Resistive Touch |

Optional Accessories

- | | |
|---|--|
| » 1255301202
Medical Power Adapter, 120W, 24V | » OPM-V03B-A2
One Display Port Kit |
| » OPM-C16W-A6
Mini Card WLAN Kit, IEEE 802.11a/b/g/n + Bluetooth 4.0 | » OPM-T017-A1
Hot Swap Rack w/Lock Kit for 2.5" HDD/SSD |
| » OPM-T003-A4
Slim Slot-in DVD-RW Drive | » OPM-T012-A2
Two RS-232 Kit |
| » OPM-T006-A1
Smart Card Reader Kit | » OPM-V04B-A2
DICOM Kit |
| » OPM-P03C-A4
22Wh Backup Battery | » OPM-R02X-A1
PCI Express [X1] Riser Kit |
| » OPM-C02C-A4
Two Isolated RS-232 PCIe Card | » OPM-R01P-A1
PCI Riser Kit |
| » OPM-C02C-A3
One Isolated USB 2.0 + Two Isolated R-232 PCIe Card | » OPM-U01T-A1
Line-out/Line-in/Mic Kit |
| » OPM-V03B-A1
One Display Port + Two RS-232 Kit | » OPM-S05R-A2
RFID Reader Kit |

ZEUS-198

19" Fanless Smart View 6th Generation Core i7 Multi-Touch Medical Station



Features

- Intel® 6th Generation Core i7-6600U 3.4GHz Dual Core Processor
- 19" 250-nit SXGA LCD
- Supports DDR4 SODIMM up to 32GB
- Capacitive Multi-Touch Screen / 5 Wire Resistive Touch Screen
- Easy Cleaning Flat Screen
- 10 Programmable Smart Function Keys with Dual Colors LED Status Indication
- LAN/USB(optional)/COM(optional) Medical Isolation
- Super Speed 10Gb/s USB 3.1 Port
- PCI Express[x4] x 1, PCI Express[x1] , PCI x1(optional)
- Trusted Platform Module / Smart Card Reader(optional) / RFID Reader (optional)
- Remote Management: Intel Active Management Technology
- +12V to +24V wide range DC input
- 22Wh Backup Battery(optional)

Specifications

Main Specifications

Processor	Intel® 6th Generation Core i7-6600U 3.4GHz Dual Core
System Memory	DDR4 SODIMM up to 32GB
Expansion	PCI Express[x4] x 1, PCI Express[x1] , PCI x1(optional) 2.5" SATA Hard Disk Drive/SSD x 1
Storage Disk Drive	Slim DVD-RW Drive x 1(optional) M.2 SSD x 1
Security	Trusted Platform Module, Smart Card reader(optional), RFID(optional)
Wireless Communication	802.11a/b/g/n/ac(optional), Bluetooth 4.0 (optional)
Speaker	5W x 2
Function Key	Speaker Volume Up/Down, LCD Brightness Up/Down, LCD On/Off, Touch Screen On/Off, DICOM Mode(optional), Reading Light On/Off
Power Requirement	DC 12~24V, 22Wh Back Up Battery(optional)
OS Support	Windows® 7, Windows® 8.1, Windows® 10, Linux®

Display

Size	19" LCD
Resolution	1280x1024
Luminance	250 nits
View Angle	170°(H)/160°(V)
Contrast Ratio	1000:1
Back Light Life Time	30,000 Hours
Touch Screen	Capacitive Multi-Touch/5-Wire Resistive

I/O

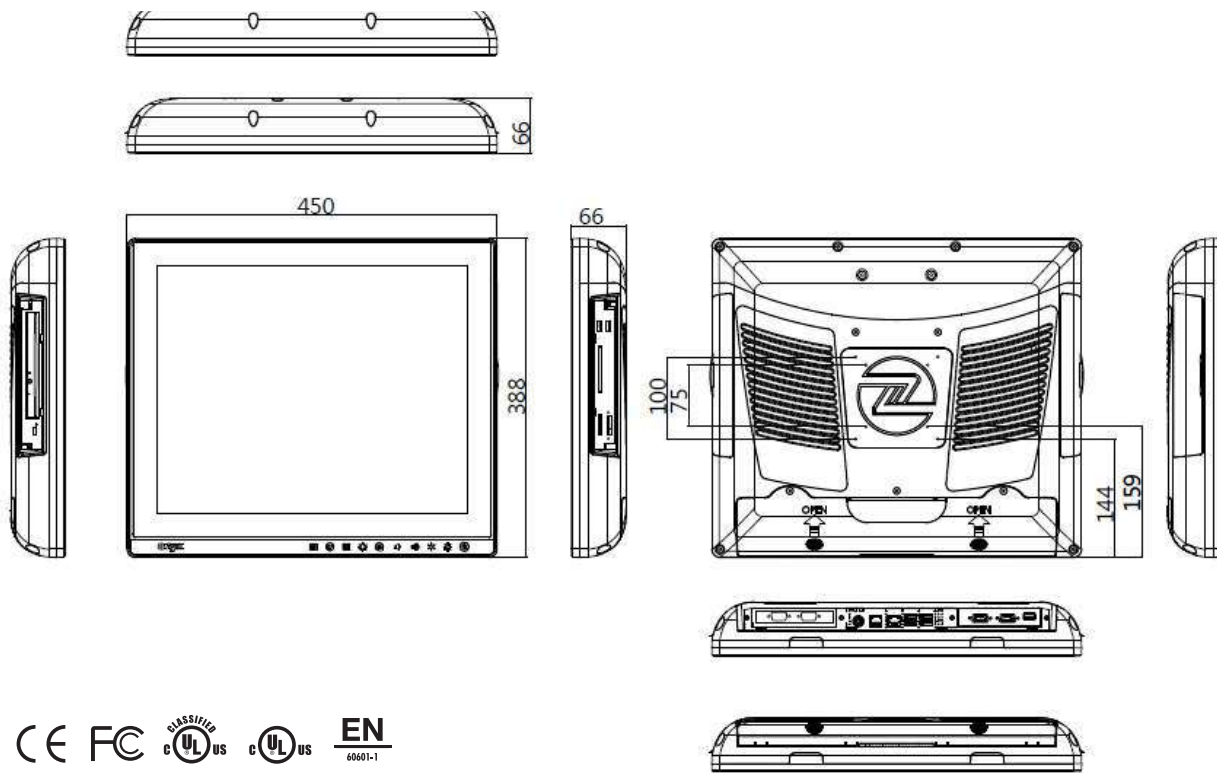
USB	USB 3.0 x 4, USB 3.1 x 2(in side I/O), Isolated USB 2.0 x1(optional)
Serial Port	Isolated RS-232 x 2(optional)
Ethernet	Isolated Gigabit LAN x 2
Audio	Mic(optional)/ Line out(optional)
Video Out	Display Port x 2(optional)

Mechanical and Environmental

Power Consumption	Full Loading: 55 Watts
Operating Temperature	0°C ~ 40°C(32°F ~ 104°F)
Storage Temperature	-20°C ~ 60°C(-4°F ~ 140°F)
Mounting	VESA 75/100 mm
Degree of Protection	IP65 in the front, IP54 in the back
Net Weight	7kg (15.43lb)
Package Dimension (W x D x H)	640 x 220 x 520mm
Certifications	CE: EN 60601-1-2:2015(V4.0), EN 60601-1:2006/A1:2013(V3.1) FCC: Part 18 Class B UL: ANSI/AAMI ES60601-1:2012 (V3.1) cUL: CAN/CSA-C22.2 No. 60601-1:2014 (V3.1)

19" Fanless Smart View 6th Generation Core i7 Multi-Touch Medical Station

Dimension / Unit: mm



Ordering Information

- | | |
|--|---|
| » ZEUS-198ST-A1-1010
Medical Station.i7-6600U.4GB RAM.19" LCD.12~24V.Capacitive Touch | » ZEUS-198ET-A1-1010
Medical Station.i7-6600U.4GB RAM.19" LCD.12~24V.Resistive Touch |
| » ZEUS-198ST-A2-1010
Medical Station.i5-6300U.4GB RAM.19" LCD.12~24V.Capacitive Touch | » ZEUS-198ET-A2-1010
Medical Station.i5-6300U.4GB RAM.19" LCD.12~24V.Resistive Touch |
| » ZEUS-198ST-A3-1010
Medical Station.i3-6100U.4GB RAM.19" LCD.12~24V.Capacitive Touch | » ZEUS-198ET-A3-1010
Medical Station.i3-6100U.4GB RAM.19" LCD.12~24V.Resistive Touch |

Optional Accessories

- | | |
|---|--|
| » 1255301202
Medical Power Adapter, 120W, 24V | » OPM-V03B-A1
One Display Port + Two RS-232 Kit |
| » OPM-C16W-A6
Mini Card WLAN Kit, IEEE 802.11a/b/g/n + Bluetooth 4.0 | » OPM-V03B-A2
One Display Port Kit |
| » OPM-T003-A3
Slim Slot-in DVD-RW Drive | » OPM-T017-A1
Hot Swap Rack w/Lock Kit for 2.5" HDD/SSD |
| » OPM-T006-A1
Smart Card Reader Kit | » OPM-T012-A2
Two RS-232 Kit |
| » OPM-P03C-A4
22Wh Backup Battery | » OPM-V04B-A1
DICOM Kit |
| » OPM-C02C-A4
Two Isolated RS-232 PCIe Card | » OPM-R02X-A1
PCI Express [X1] Riser Kit |
| » OPM-C02C-A3
One Isolated USB 2.0 + Two Isolated R-232 PCIe Card | » OPM-R01P-A1
PCI Riser Kit |
| | » OPM-U01T-A1
Line-out/Line-in/Mic Kit |

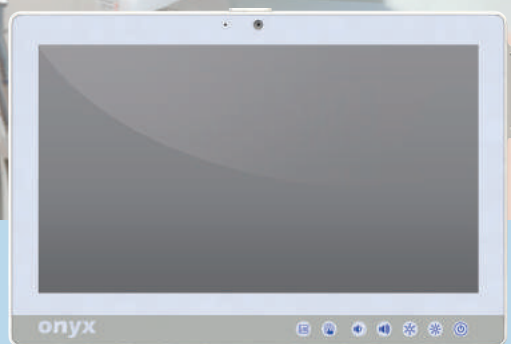
Slim Fanless Medical Panel PC

The Slim Medical Panel PC is designed to meet the requirements and still be cost effective. It is running an Intel Atom processor, and it included all necessary input slots within its ultra slim chassis. The flexibility of slim fanless all in one medical panel PC is perfect for hospital applications such as mobile nursing station, wall-mount diagnosis panel, pharmacy automation and hospital administration automation.



Fanless Slim Panel PC Solution

- » » Green Operation
- » » Flexible Power Input
- » » High Speed Wireless Data Transmission
- » » Processing in Compact Size
- » » Small to large LCD Choices
- » » Quiet, Clean & Easy Maintenance



+ Small to Large LCD Choices

Slim Medical Panel PC offers four LCD sizes to fulfill the requirements of various hospital applications. 10.1" (Resolution:1280x800), 12"(Resolution:1366x768), 15.6"(Resolution:1920x1080), 17"(Resolution:1280x1024), 18.5"(Resolution:1366x768).



+ Quiet, Clean & Easy to Maintain

Slim Medical Panel PCs utilize a large fanless heatsink on the back cover to efficiently dissipate heat generated from the processor and chipset. The Fanless cooling design keeps the environment quiet, clean and lowers maintenance efforts.



+ Green & Compact Size for Operation

Less than 50W power consumption keeps Slim Medical Panel PC operating and extends the battery life of mobile medical carts. With narrow edge and monitor like chassis, it is easy and space friendly to users.



+ Wide Range Power Input for Different Carts

Slim Medical Panel PCs are designed to accept +9V to +30V DC power input. This wide range power input allows ease of operation with the battery source. It can integrate with Metro, Ergatron, ITD, Howard, and all major computer carts seamlessly.



+ Dual Antennas with Best WLAN performance

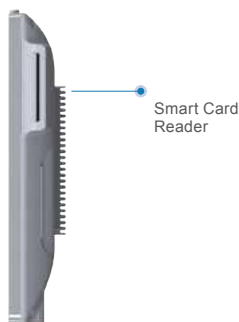
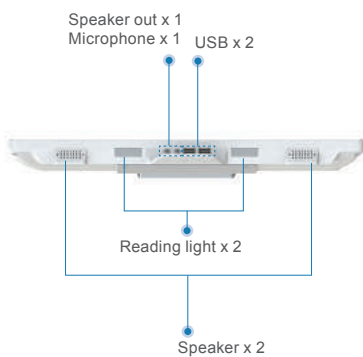
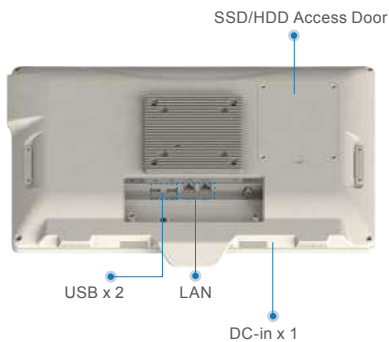
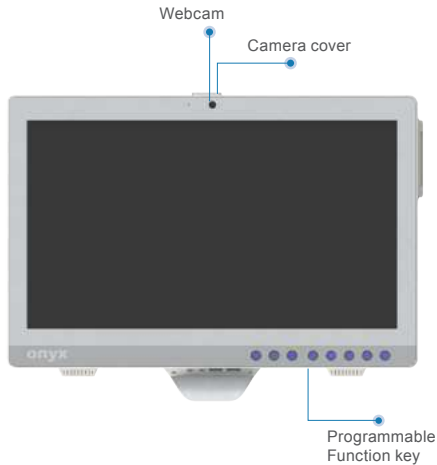
With two antennas built into the Slim Medical Panel PCs, massive medical records and PACS images can be transferred through IEEE 802.11ac/a/b/g/n wireless LAN up to 300Mbps/sec.



Fanless Slim Panel HIT Solution

ONYX-BE182

18.5" Fanless J1900 Quad Core Slim Medical Panel PC



Features

- Intel® J1900 2.42GHz Quad Core Processor
- 18.5" Wide Color TFT LCD Touch Terminal
- PCT for supporting Multi-Touch
- Wire Remote-Control w/ Handset Function
- VOIP Phone, Webcam, High Quality Speaker, MSR, Smart Card Reader
- Reading Light
- Extension Feature: RFID, Barcode Scanner
- IP65 Water Proof in front
- EN 60601-1, UL 60601-1

Specifications

Main Specifications

Processor	Intel® Celeron J1900 Quad Core 2.42GHz
System Memory	Supports DDR3 SODIMM up to 8GB
Expansion Interface	Mini Card x 2
Storage Disk Drive	2.5" SATA Hard Disk Drive/SSD x 1
Security	Trusted Platform Module, Smart Card Reader (optional), MSR (optional), RFID (optional)
Wireless communication	802.11b/g/n(optional), Bluetooth 4.0 (optional)
Speaker	3W x 2
Function Key	Speaker Volume Up/Down, LCD Brightness Up/Down
Power Requirement	DC 12~24V
OS Support	Windows 7, Window 8.1, Window 10, Linux

Display

Size	18.5" (16:9) Color TFT LCD
Resolution	1366 x 768
Max. Colors	16.7M
Luminance	300 nits
View Angle	170(H)/160(U)
Contrast Ratio	1000:1
MTBF	30,000 Hours
Touch Screen	Projected Capacitive Touch / 5-Wire Resistive Touch

I/O

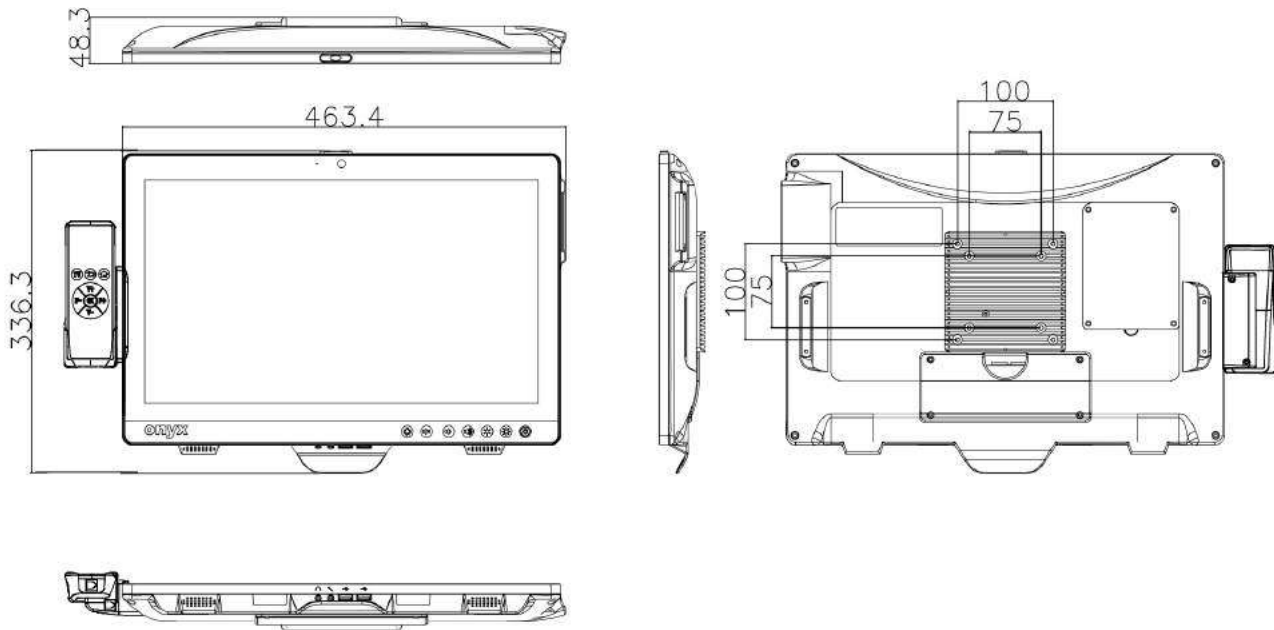
USB	USB2.0 x 4
Serial Port	Isolated RS-232 x 1
Ethernet	Isolated Gigabit LAN x 2
Audio	Mic-in, Line-out

Mechanical and Environmental

Infection Control	Anti-Bacteria (optional)
Power Requirement	DC 12V ~24V
Operating Temperature	0°C ~ 40°C(32°F ~ 104°F)
Storage Temperature	-20°C ~ 60°C(-4°F ~ 140°F)
Mounting	VESA 75/100 mm
Degree of protection	Front Panel: IP65; Whole Unit: IPX1
Net Weight	4.2 kg
Package Dimension (W x D x H)	721 x 224 x 464 mm
Certifications	CE: EN 60601-1-2:2015, EN 60601-1:2006/A1:2013 FCC: Part 18 Class B UL: ANSI/AAMI ES60601-1:2012 cUL: CAN/CSA-C22.2 No. 60601-1:2014

18.5" Fanless J1900 Quad Core Slim Medical Panel PC

Dimension / Unit: mm



Ordering Information

- » ONYX-BE182DT-A1-1010
18.5" Infotainment Terminal. Intel Quad-Core J1900. 2G RAM. Fanless. Resistive Touch. Reading Light. Webcam. Smart Card Reader
- » ONYX-BE182DT-F1-1010
18.5" Infotainment Terminal. Intel Quad-Core J1900. 2G RAM. Fanless. Resistive Touch. Reading Light. Webcam. Smart Card Reader. RFID
- » ONYX- BE182DT-A2-1010
18.5" Infotainment Terminal. Intel Quad-Core J1900. 2G RAM. Fanless. PCT Touch. Reading Light. Webcam. Smart Card Reader
- » ONYX-BE182DT-F2-1010
18.5" Infotainment Terminal. Intel Quad-Core J1900. 2G RAM. Fanless. PCT Touch. Reading Light. Webcam. Smart Card Reader. RFID

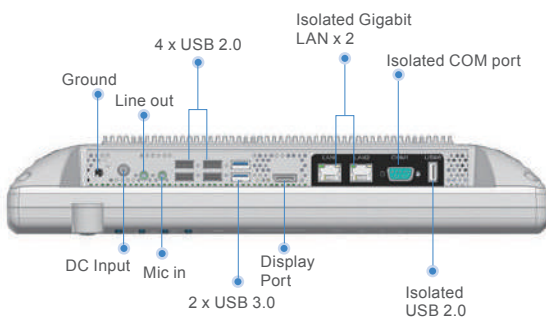
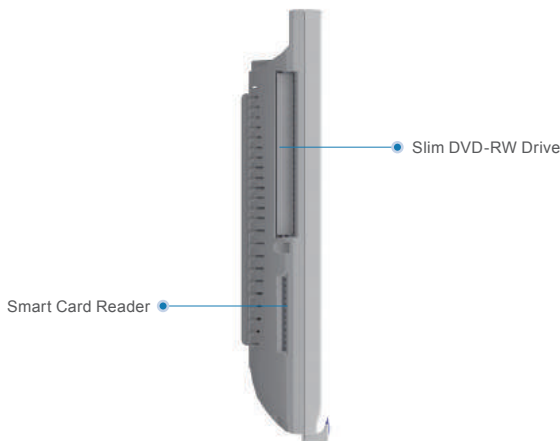
Optional Accessories

- » 1757306039
Medical Power Adapter, 60W, 12V
- » OPM-H04A
ARM, Wall Mount, VESA 75/100, 1~7kg
- » OPM-T009-A1
Handset and Wire Remote Control
- » OPM-T009-A2
Handset and Wire Remote Control + 2D Barcode Scanner
- » OPM-C16W-A5
WLAN kit. 802.11 a/b/g/n + Bluetooth 4.0LE/ 3.0HS/ 2.1EDR for BE182
- » OPM-S02C-A1
MSR for BE381
- » TF-PER-M50
Bedside Wall Mount Long Arm, 1~6kg, VESA 75/100
- » OPM-H13A-A1
Bedside Wall Mount Long Arm, 1~6kg, VESA 75/100

Fanless Slim Panel HIT Solution

ONYX-1723

17" Fanless Core i3 Slim Medical Panel PC



Features

- Intel® Core™ i3-3217UE Dual Core 1.6GHz LV Processor
- Intel® QM77 Chipset
- Supports Dual Channel DDR3 SODIMM up to 16GB
- 17" SXGA LCD with LED Backlight
- 5-Wire Resistive Touch Screen
- Built-in Smart card Reader (Optional)
- Slim DVD-RW Drive (Optional)
- USB/COM/LAN Medical Isolation
- High Speed USB 3.0 Ports
- Mini Card x 2
- +12V to +24V Wide Range DC Input

Specifications

Main Specifications

Processor	Intel® Core i3-3217UE Dual Core 1.6GHz Intel® Celeron 847E Dual Core 1.1GHz
System Memory	Supports Dual Channel DDR3 SODIMM up to 16GB
Chipset	Intel® QM77
Expansion Interface	Mini Card x 2
Storage Disk Drive	2.5" SATA Hard Disk Drive/SSD x 1 Slim DVD-RW Drive x 1(optional)
Security	Smart Card Reader x 1 (optional), Trusted Platform Module
Wireless Communication	802.11b/g/n(optional), Bluetooth 3.0HS & 4.0 (optional)
Speaker	3W x 2
Power Requirement	DC 12~24V

Display

Size / Type	17" TN LCD
Max. Resolution	1280 x 1024
Luminance(cd/m2)(TYP)	250 nits
Viewing Angle	170° (H)/160° (V)
Contrast Ratio	1000:1
Touch Screen	5-Wire Resistive

I/O

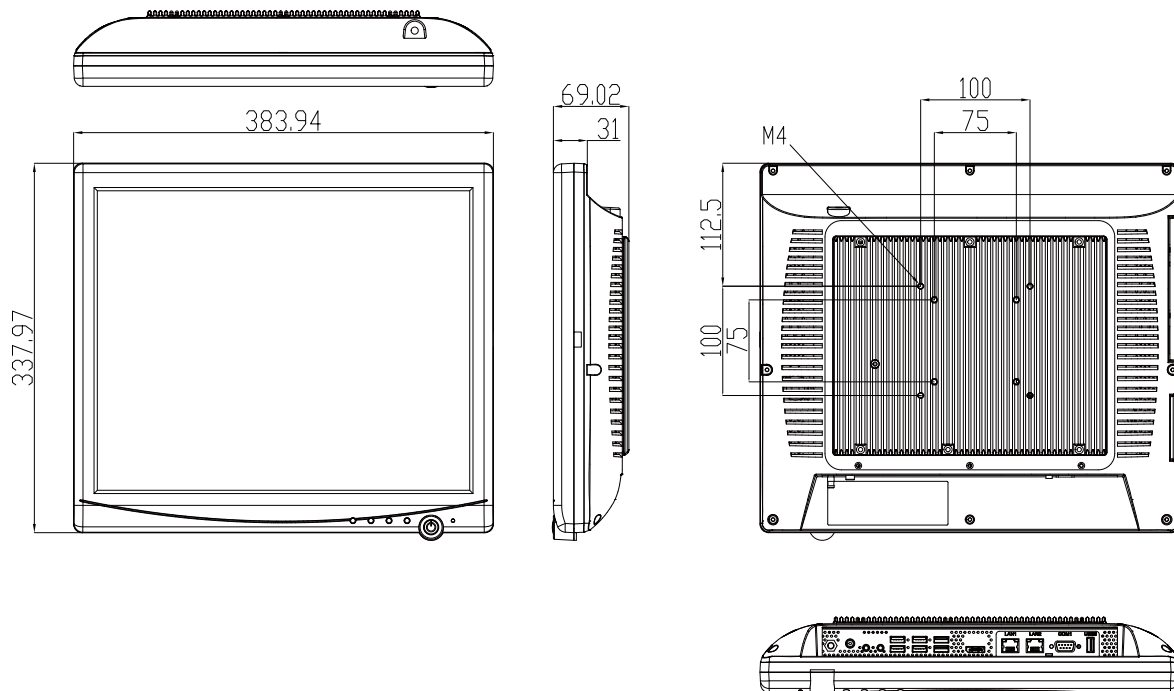
USB	Isolated USB 2.0 x 1, USB 2.0 x 4, USB 3.0 x 2
Serial Ports	Isolated RS-232 x 1
Ethernet	Isolated Gigabit LAN x 2
Video Out	Display Port x 1, Support resolution up to 2560 x 1600
Audio	Mic-in, Line-out

Mechanical and Environmental

Power Consumption	Full loading: 39 Watts
Operating Temperature	0°C ~ 40°C(32°F ~ 104°F)
Storage Temperature	-20°C ~ 60°C(-4°F ~ 140°F)
Mounting	VESA 75/100 mm
Degree of Protection	IP65 in the front, IPX1
Net Weight	6kg (13.2lb)
Gross Weight	10kg (22.05lb)
Package Dimension (W x D x H)	630 x 250 x 640 mm
Certifications	CE: EN 60601-1-2:2007(V3.0) , EN 60601-1:2006/A11:2011(V3.0) FCC: Part 18 Class B, Part 15 Class B UL: ANSI/AAMI ES60601-1:2005 (V3.0) cUL: CAN/CSA-C22.2 No. 60601-1:2014 (V3.0)

17" Fanless Core i3 Slim Medical Panel PC

Dimension / Unit: mm



Ordering Information

- » ONYX-1723DTT-A1-1010
Slim Medical Panel PC, 17" LCD, Intel i3-3217UE, 4GB RAM, DC 12~24V, Touch Screen
- » ONYX-1723DTT-A2-1010
Slim Medical Panel PC, 17" LCD, Intel Celeron 847E, 4GB RAM, DC 12~24V, Touch Screen

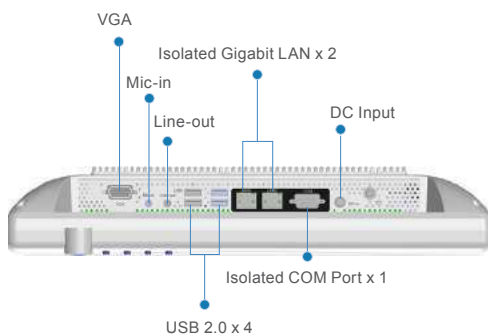
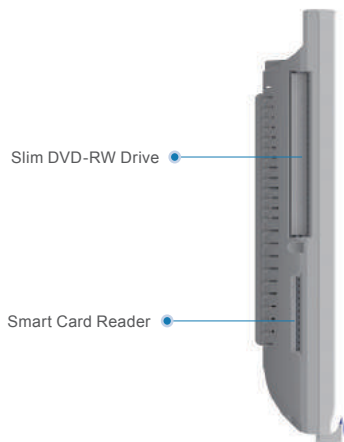
Optional Accessories

- » 1757213000
Medical Power Adapter, 130W, 24V
- » OPM-T007-A1
Slim Slot-in DVD-RW Drive
- » OPM-T008-A1
Smart Card Reader Kit
- » TF-OPM-H02S-A0/A1
Desktop Stand with VESA 75/100
- » OPM-C16W-A0
Mini Card WLAN Kit, IEEE 802.11a/b/g/n

Fanless Slim Panel HIT Solution

ONYX-1731

17" Fanless J1900 Quad Core Slim Medical Panel PC



Features

- Intel Celeron J1900 2.42GHz Quad Core Processor
- 17" High Brightness 350 nits SXGA LCD
- Supports DDR3L SODIMM up to 8GB
- 5-wire Resistive Touch Screen
- COM/LAN Medical Isolation
- Trusted Platform Module / Smart Card Reader(optional) / RFID Reader(optional)
- 802.11ac/a/b/g/n Wireless LAN(optional)
- +12V to +24V wide range DC input

Specifications

Main Specifications

Processor	Intel® Celeron J1900 Quad Core 2.42GHz
System Memory	Supports DDR3L SODIMM up to 8GB
OS Support	Windows® 7, Windows® 8.1, Windows® 10, Linux®
Expansion Interface	Mini Card x 1
Storage Disk Drive	mSATA SSD x 1, Slim DVD-RW Driver x 1 (optional)
Security	Trusted Platform Module, Smart Card Reader(optional), RFID Reader(optional)
Function Key	Speaker Volume Up/Down, LCD Brightness Up/Down
Wireless Communication	802.11ac/a/b/g/n(optional), Bluetooth 4.0(optional)
Speaker	3W x 2
Power Requirement	DC 12~24V

Display

Size	17" LCD
Resolution	1280 x 1024
Luminance	350 nits
View Angle	170°(H)/160°(V)
Contrast Ratio	1000:1
Back Light Life Time	> 30,000 hours
Touch Screen	5-wire Resistive

I/O

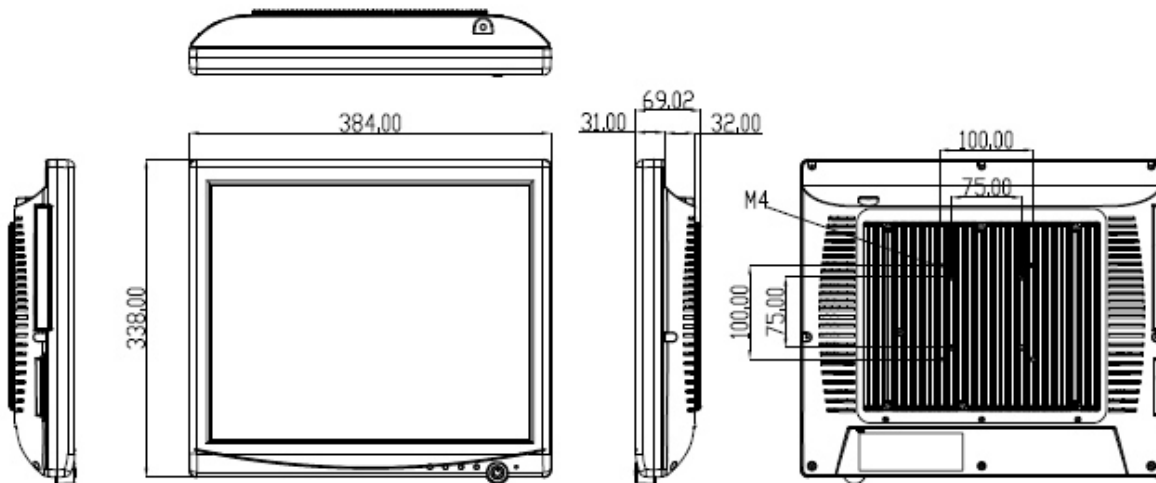
USB	USB 2.0 x 4
Serial Port	Isolated RS-232 x 1
Ethernet	Isolated Gigabit LAN x 2
Video Out	VGA x 1
Audio	Mic-in, Line-out

Mechanical and Environmental

Power Consumption	Full loading: 21 Watts
Operating Temperature	0°C ~ 40°C(32°F ~ 104°F)
Storage Temperature	-20°C ~ 60°C(-4°F ~ 140°F)
Mounting	VESA 75/100 mm
Degree of Protection	IP65 in the front, IPX1
Net Weight	5.6kg (12.32lb)
Package Dimension (W x D x H)	630 x 250 x 640 mm
Certifications	CE: EN 60601-1-2:2015(V4.0), EN 60601-1:2006/A1:2013(V3.1) FCC: Part 18 Class B UL: ANSI/AAMI ES60601-1:2012 (V3.1) cUL: CAN/CSA-C22.2 No. 60601-1:2014 (V3.1)

17" Fanless J1900 Quad Core Slim Medical Panel PC

Dimension / Unit: mm



Ordering Information

- » ONYX-1731DTT-A1-1010
Slim Medical Panel PC, 17" LCD, Intel Celeron J1900, 2GB RAM, DC 12~24V, Resistive Touch
- » ONYX-1731DTT-A2-1010
Slim Medical Panel PC, 17" LCD, Intel Celeron J1900, 2GB RAM, DC 12~24V, Resistive Touch, RFID Reader

Optional Accessories

- » 1757306039
Medical Power Adapter, 60W, 12V
- » OPM-T008-A1
Smart Card Reader Kit
- » OPM-T007-A4
Slim Slot-in DVD-RW Drive
- » OPM-C16W-A0
WLAN Kit, IEEE 802.11a/b/g/n + Bluetooth 4.0

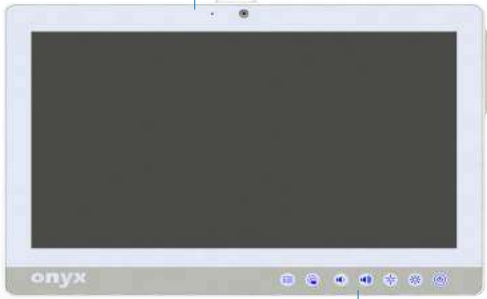
Fanless Slim Panel HIT Solution

ONYX-1531

15.6" Fanless J1900 Quad Core Slim Medical Panel PC



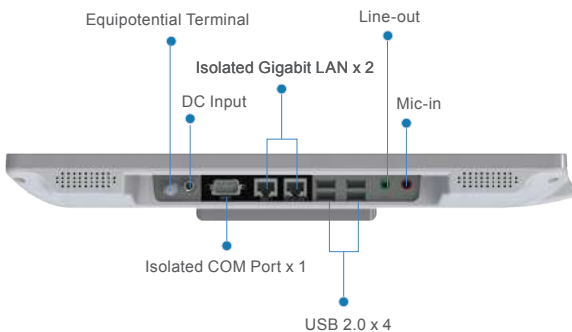
Webcam w/ Mic (optional)



Function Keys



Smart Card Reader (optional)



Features

- Intel® Celeron J1900 2.42GHz Quad Core Processor
- 15.6" High Brightness 300-nit Full HD LCD
- Supports DDR3L SODIMM up to 8GB
- 5-wire Resistive Touch Screen / Capacitive Multi-Touch Screen
- Easy Cleaning Flat Screen
- 7 Programmable Smart Function Keys
- COM/LAN Medical Isolation
- 2.0M Pixels Camera with Mic (optional)
- Handset Phone (optional)
- Trusted Platform Module / Smart Card Reader(optional) / MSR(optional) / RFID Reader(optional)
- +12V to +24V wide range DC input / Power over Ethernet(optional)

Specifications

Main Specifications

Processor	Intel® Celeron J1900 Quad Core 2.42GHz
System Memory	Supports DDR3L SODIMM up to 8GB
Expansion Interface	Mini Card x 1
Storage Disk Drive	2.5" SATA Hard Disk Drive/SSD x 1, mSATA SSD x 1
Security	Trusted Platform Module, Smart Card Reader (optional), MSR (optional), RFID (optional)
Wireless Communication	802.11a/b/g/n(optional), Bluetooth 4.0 (optional)
Speaker	3W x 2
Function Key	Speaker Volume Up/Down, LCD Brightness Up/Down
Power Requirement	DC 12~24V / Power over Ethernet (optional)
OS Support	Windows 7, Windows 8.1, Windows 10, Linux

Display

Size / Type	15.6" LCD
Max. Resolution	1920 x 1080
Luminance(cd/m2)(TYP)	300 nits
Max. Colors	16.7 M
Viewing Angle	160°(H)/140°(V)
Contrast Ratio	700:1
Back Light Life Time	> 15,000 hours
Touch Screen	5-Wire Resistive / Capacitive Multi-Touch

I/O

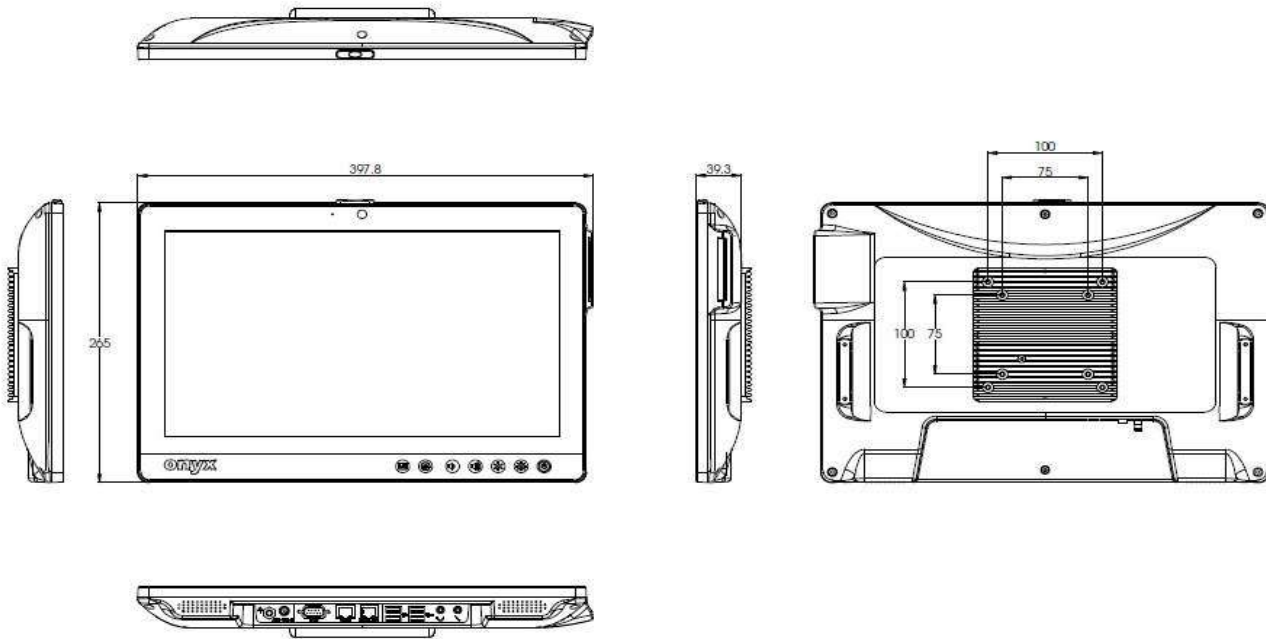
USB	USB 2.0 x 4
Serial Port	Isolated RS-232 x 1
Ethernet	Isolated Gigabit LAN x 2
Audio	Mic-in, Line-out

Mechanical and Environmental

Power Consumption	Full loading: 19 Watts
Operating Temperature	0°C ~ 40°C(32°F ~ 104°F)
Storage Temperature	-20°C ~ 60°C(-4°F ~ 140°F)
Mounting	VESA 75/100 mm
Degree of Protection	IP65 in the front, IPX1
Net Weight	2.8 kg (6.2lb)
Gross Weight	6.5 kg (14.33lb)
Package Dimension (W x D x H)	721 x 224 x 464mm
Certifications	CE: EN 60601-1-2:2015(V4.0), EN 60601-1:2006/A1:2013(V3.1) FCC: Part 18 Class B UL: ANSI/AAMI ES60601-1:2012 (V3.1) cUL: CAN/CSA-C22.2 No. 60601-1:2014 (V3.1)

15.6" Fanless J1900 Quad Core Slim Medical Panel PC

Dimension / Unit: mm



Ordering Information

- » ONYX-1531ET-A1-1010
Slim Medical Panel PC, 15.6" LCD, Intel Celeron J1900, 2GB RAM, DC 12~24V, Resistive Touch
- » ONYX-1531ST-A1-1010
Slim Medical Panel PC, 15.6" LCD, Intel Celeron J1900, 2GB RAM, DC 12~24V, Capacitive Touch

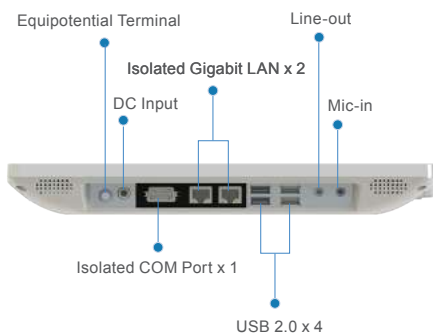
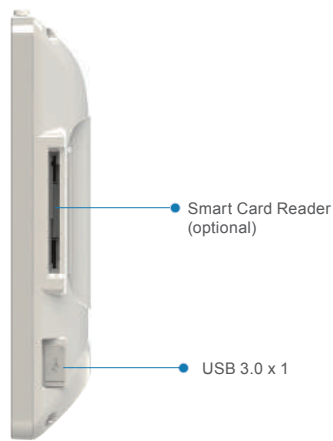
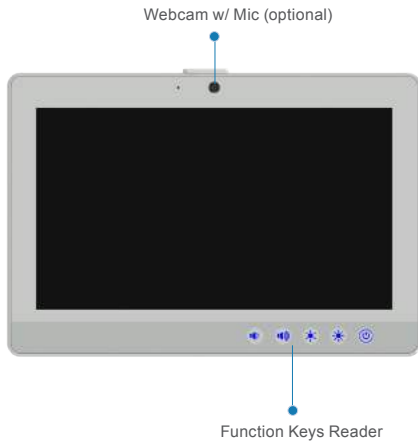
Optional Accessories

- » 1757306039
Medical Power Adapter, 60W, 12V
- » OPM-T008-A1
Smart Card Reader Kit
- » OPM-S02C-A1
Magnetic Stripe Reader Kit
- » OPM-T011-A1
2M Pixels Camera with Mic Kit
- » OPM-T018-A5
Handset Kit
- » OPM-S04R-A1
Smart Card+ RFID Reader Kit
- » OPM-T018-A6
Handset w/Dual-Keypads, Camera
- » OPM-C16W-A5
WLAN Kit, IEEE 802.11a/b/g/n + Bluetooth 4.0
- » OPM-P30D-A10
Power over Ethernet Kit

Fanless Slim Panel HIT Solution

ONYX-1222

11.6" Fanless J1900 Quad Core Slim Medical Panel PC



Features

- Intel® Celeron J1900 2.42GHz Quad Core Processor
- 11.6" 220-nit WXGA LCD
- Supports DDR3 SODIMM up to 8GB
- 5-wire Resistive Touch Screen / Capacitive Multi-Touch Screen
- Easy Cleaning Flat Screen
- 5 Programmable Smart Function Keys
- COM/LAN Medical Isolation
- High Speed USB 3.0 Port
- 2.0M Pixels Camera with Mic (optional)
- Handset Phone (optional)
- Trusted Platform Module / Smart Card Reader(optional) / MSR(optional) / RFID Reader (optional)
- +12V to +24V wide range DC input / Power over Ethernet(optional)

Specifications

Main Specifications

Processor	Intel® Celeron J1900 Quad Core 2.42GHz
System Memory	Supports DDR3 SODIMM up to 8GB
Expansion Interface	Mini Card x 1
Storage Disk Drive	2.5" SATA Hard Disk Drive/SSD x 1, mSATA SSD x 1
Security	Trusted Platform Module, Smart Card Reader (optional), MSR (optional), RFID Reader (optional)
Wireless Communication	802.11a/b/g/n(optional), Bluetooth 4.0 (optional)
Speaker	2W x 2
Function Key	Speaker Volume Up/Down, LCD Brightness Up/Down
Power Requirement	DC 12~24V / Power over Ethernet(optional)
OS Support	Windows 7, Window 8.1, Window 10, Linux

Display

Size / Type	11.6" LCD
Max. Resolution	1366 x 768
Luminance(cd/m2)(TYP)	220 nits
Max. Colors	16.7 M
Viewing Angle	170°(H)/170°(V)
Contrast Ratio	800:1
Back Light Life Time	> 15,000 hours
Touch Screen	5-Wire Resistive / Capacitive Multi-Touch

I/O

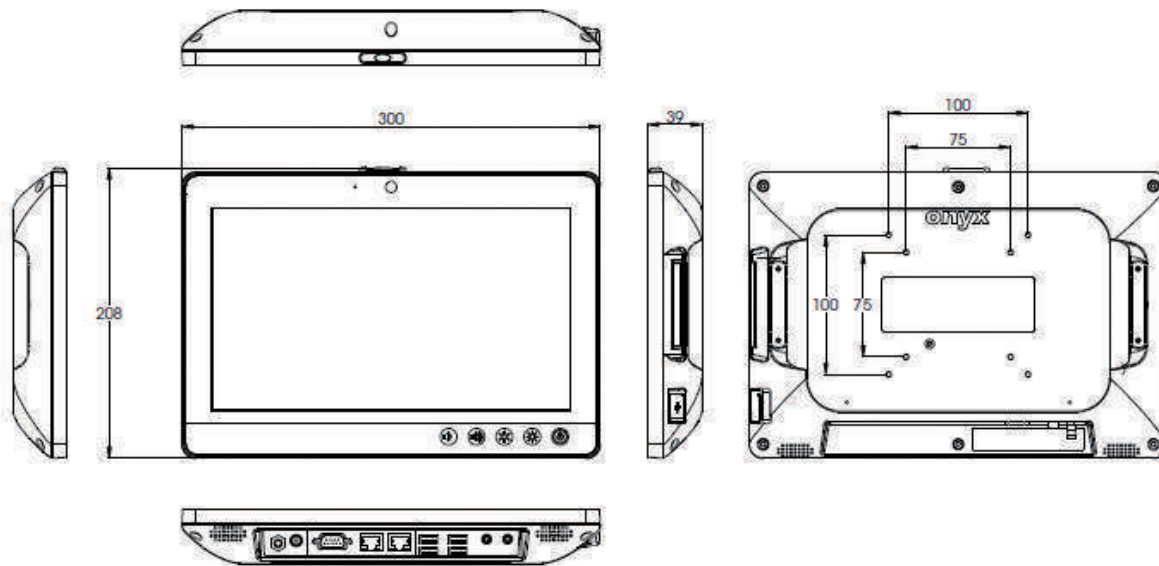
USB	USB 2.0 x 4, USB 3.0 x 1 (in side I/O)
Serial Port	Isolated RS-232 x 1
Ethernet	Isolated Gigabit LAN x 2
Audio	Mic-in, Line-out

Mechanical and Environmental

Power Consumption	Full loading: 22 Watts
Operating Temperature	0°C ~ 40°C(32°F ~ 104°F)
Storage Temperature	-20°C ~ 60°C(-4°F ~ 140°F)
Mounting	VESA 75/100 mm
Degree of Protection	IP65 in the front, IPX1
Net Weight	1.5kg (3.3lb)
Gross Weight	4kg (8.82lb)
Package Dimension (W x D x H)	540 x 230 x 370 mm
Certifications	CE: EN 60601-1-2:2015(V4.0), EN 60601-1:2006/A1:2013(V3.1) FCC: Part 18 Class B UL: ANSI/AAMI ES60601-1:2012 (V3.1) cUL: CAN/CSA-C22.2 No. 60601-1:2014 (V3.1)

11.6" Fanless J1900 Quad Core Slim Medical Panel PC

Dimension / Unit: mm



Ordering Information

- » ONYX-1222ET-A1-1110
Slim Medical Panel PC, 11.6" LCD, Intel Celeron J1900, 2GB RAM, DC 12~24V, Resistive Touch
- » ONYX-1222ST-A1-1110
Slim Medical Panel PC, 11.6" LCD, Intel Celeron J1900, 2GB RAM, DC 12~24V, Capacitive Touch

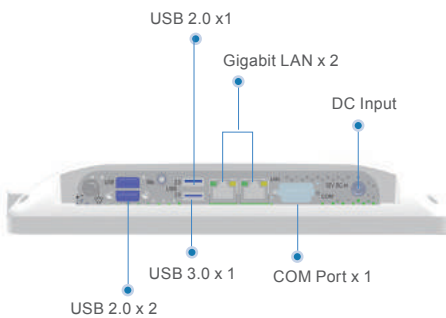
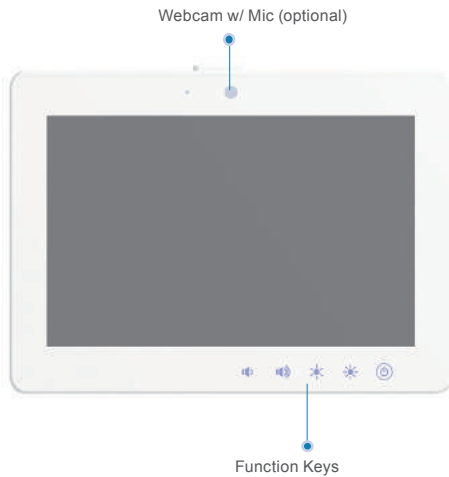
Optional Accessories

- | | |
|---|---|
| <ul style="list-style-type: none"> » 1757306039
Medical Power Adapter, 60W, 12V » OPM-T010-A1
Smart Card Reader Kit » OPM-S02C-A2
Magnetic Stripe Reader Kit » OPM-T011-A1
2M Pixels Camera with Mic Kit » OPM-T018-A3
Handset Kit | <ul style="list-style-type: none"> » OPM-T018-A4
Handset w/Dual-Keypads, Camera » OPM-C16W-A4
WLAN Kit, IEEE 802.11a/b/g/n + Bluetooth 4.0LE/ 3.0HS / 2.1 EDR » OPM-P30D-A10
Power over Ethernet kit |
|---|---|

Fanless Slim Panel HIT Solution

ONYX-1022

10.1" Fanless J1900 Quad Core Slim Medical Panel PC



Features

- Intel® Celeron J1900 2.42GHz Quad Core Processor
- 10.1" 1280x800 LCD
- Supports DDR3L SODIMM up to 8GB
- Capacitive Multi-Touch Screen/ 5-Wire Resistive Touch Screen
- Easy Cleaning Flat Screen
- Two Gigabit Ethernet
- One High Speed USB 3.0 Port
- Trusted Platform Module / Smart Card Reader(optional) / RFID Reader(optional)
- 2.0M Pixels Camera with Mic(optional)
- +12V DC input

Specifications

Main Specifications

Processor	Intel® Celeron J1900 Quad Core 2.42GHz
System Memory	Supports DDR3L SODIMM up to 8GB
Expansion Interface	Mini Card x 1
Storage Disk Drive	Half Size mSATA SSD x 1
Security	Trusted Platform Module, Smart Card Reader(optional), RFID Reader(optional)
Wireless Communication	802.11ac/a/b/g/n(optional), Bluetooth 4.0(optional)
Speaker	2W x 2
Function Key	Speaker Volume Up/Down, LCD Brightness Up/Down
Power Requirement	DC 12V
OS Support	Windows 7, Windows 8.1, Windows 10, Linux

Display

Size / Type	10.1" LCD
Max. Resolution	1280 x 800
Luminance(cd/m2)(TYP)	300 nits
Viewing Angle	170° (H)/170° (V)
Contrast Ratio	1300:1
Back Light Life Time	25,000 hours
Touch Screen	Capacitive Multi-Touch/ 5-Wire Resistive Touch

I/O

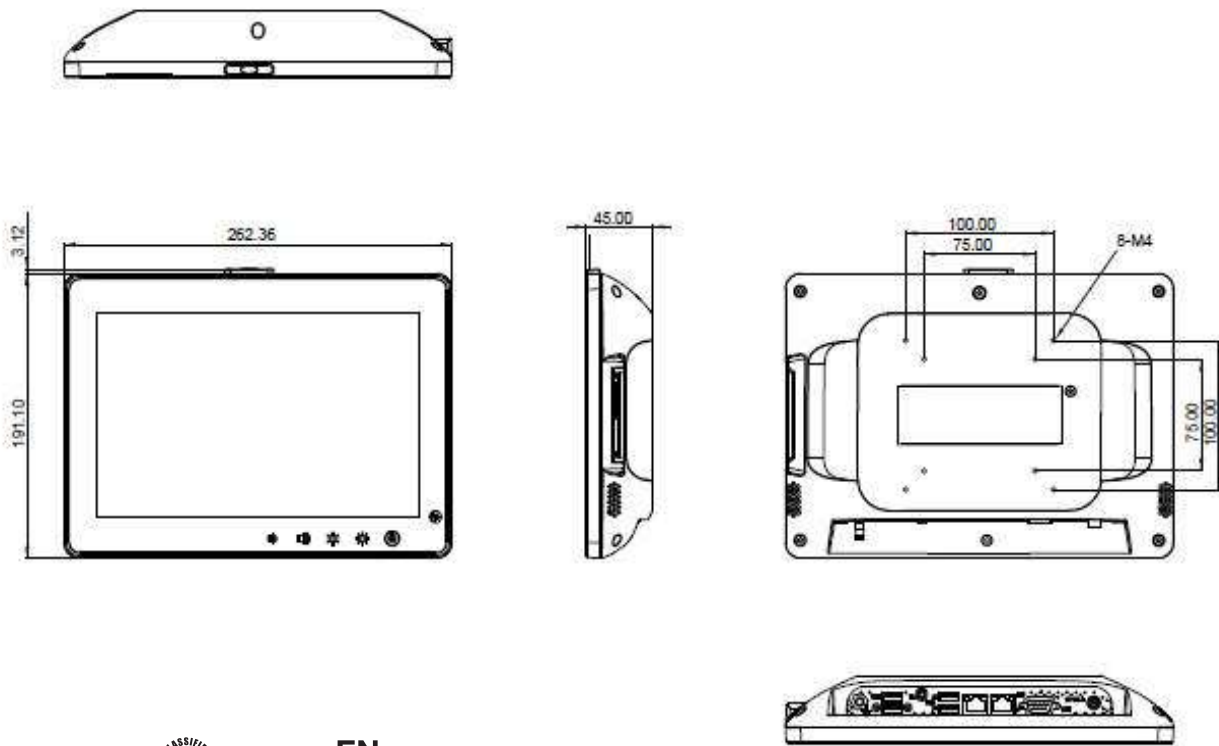
USB	USB 3.0 x 1, USB 2.0 x 3
Serial Port	RS-232 x 1
Ethernet	Gigabit LAN x 2

Mechanical and Environmental

Power Consumption	Full loading: 20 Watts
Operating Temperature	0°C ~ 40°C(32°F ~ 104°F)
Storage Temperature	-20°C ~ 60°C(-4°F ~ 140°F)
Mounting	VESA 75/100 mm
Degree of Protection	IP65 in the front, IPX1
Net Weight	1.2kg (2.6lb)
Gross Weight	3.7kg (8.2lb)
Package Dimension (W x D x H)	402 x 190 x 335 mm
Certifications	CE: EN 60601-1-2:2015(V4.0), EN 60601-1:2006/A1:2013(V3.1) FCC: Part 18 Class B UL: ANSI/AAMI ES60601-1:2012 (V3.1) cUL: CAN/CSA-C22.2 No. 60601-1:2014 (V3.1)

10.1" Fanless J1900 Quad Core Slim Medical Panel PC

Dimension / Unit: mm



Ordering Information

- » ONYX-1022ST-A1-1010
Slim Medical Panel PC, 10.1" 1280x800 LCD, Intel Celeron J1900, 2GB RAM, DC 12V, Capacitive Touch
- » ONYX-1022ET-A1-1010
Slim Medical Panel PC, 10.1" 1280x800 LCD, Intel Celeron J1900, 2GB RAM, DC 12V, Resistive Touch

Optional Accessories

- » 1757306039
Medical Power Adapter, 60W, 12V
- » OPM-C16W-A8
WLAN Kit, IEEE 802.11a/b/g/n + Bluetooth 4.0
- » OPM-T010-A2
Smart Card Reader Kit
- » OPM-T011-A2
2M Pixels Camera with Mic Kit

Panel PC Accessory Selection

OPM-H02S Desktop Stand



Features

- » Apply to 12"~22" Slim Medical Panel PC, Medical Display.
- » Spinning around high and mighty; able to bear 5kg to 12kg.
- » Providing 2 mounting space in coordination with VESA standard: 75mm x 75mm and 100mm x100mm

Ordering Information

- » TF-OPM-H02S-A0
Desktop Stand, Black Color, VESA 75/100, 230mm Height
- » TF-OPM-H02S-A1
Desktop Stand, Black Color, VESA 75/100, 280mm Height

OPM-H01S Desktop Stand



Features

- » Apply to 15" ~ 24" Medical Station, Slim Medical Panel PC, Medical Display.
- » Spinning around high and mighty; able to bear 5 kg to 15kg.
- » Providing 2 mounting space in coordination with VESA standard:75mm x 75mm and 100mm x100mm
- » The angle of view was designed adjustable for clear vision.
- » Flexible angle create brand-new atmosphere of monitors.
- » Up-to-date choice in the multimedia era.
- » Show yourself and break the limit of environment.
- » Regulate as you want to make more space.

Ordering Information

- » TF-OPM-H01S
Desktop Stand, Black Color, VESA 75/100, 265mm to 330mm Height

Panel PC Accessory Selection

OPM-H10A

Gas Spring Arm



Features

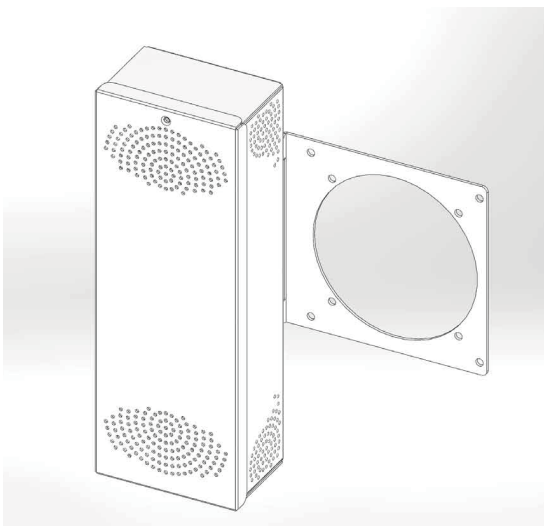
- » Clamp type can fit all kind of mobile car.
- » Weight capacity : 2~8KG (4.4~17.6lb)
- » Clockwise / counterclockwise rotation

Ordering Information

- » OPM-H10A-00
VESA 75/100 Clamp type spring arm (Silver)

OPM-H12A

VESA Mount Power Adapter Holder



Features

- » Apply to 15" to 24" Medical Station, Slim Medical Panel PC
- » Providing 2 mounting spaces in coordination with VESA standard: 75mm x 75mm and 100mm x 100mm

Ordering Information

- » OPM-H12A-A1
VESA mount power adapter holder

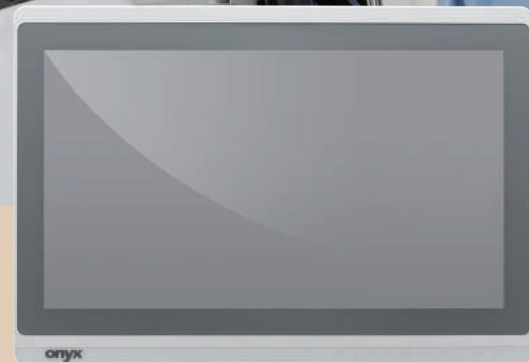
Medical AIO Solution

Medical AIO is a highly cost effective solution. Intel Core i3 processor, up to 16GB DDR3 and capacitive multi-touch screen enhance the efficiency of hospital applications. Fanless design keeps environment quiet and reduces the effort in cleaning. With one PCI Express[x1] slot, any standard PCI Express[x1] card such as isolated RS-232 card and video capture card can be installed to enhance capability.



Key Features:

- » » 19"/22"/24" LCD with resistive touch or capacitive multi-touch
- » » Trusted Platform Module and Smart Card Reader for Security Enhancement
- » » +12V DC input
- » » Fanless Design for Quiet and Easy Maintenance
- » » Reading Light



✚ Intel® Core Platform for Critical Applications

Medical AIO offer ultra high performance Intel® LV Dual Core processor.



✚ Super 3.0 for USB, SATA and PCI-e

Still looking for a faster solution to upload or download medical records?! Zeus comes with latest high speed I/O design (USB3.0, SATA3.0, PCI-E3.0). Super 3.0 gives ten times data rate than before.



✚ Triple Isolation Protection to Patient

Medical isolation rating is 4kV rms (IEC 60601-1), which is crucial to protect patients, operators and medical equipment from harmful surges or spikes in the electrical signal. Medical AIO offers optional COM port, USB port isolation. We set the highest standard for patient and medical uses.



✚ Quiet, Clean & Easy to Maintain

Slim Medical Panel PCs utilize a large fanless heatsink on the back cover to efficiently dissipate heat generated from the processor and chipset. The Fanless cooling design keeps the environment quiet, clean and lowers maintenance efforts.



✚ Dual Antennas with Best WLAN performance

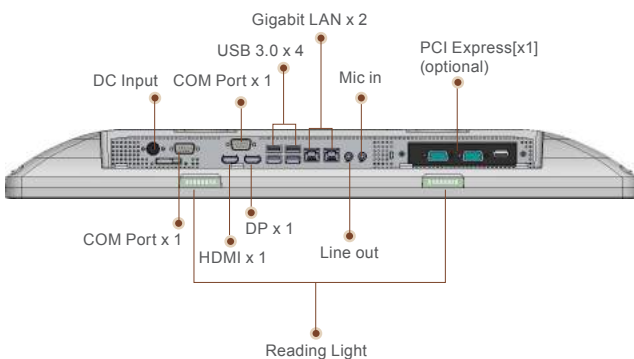
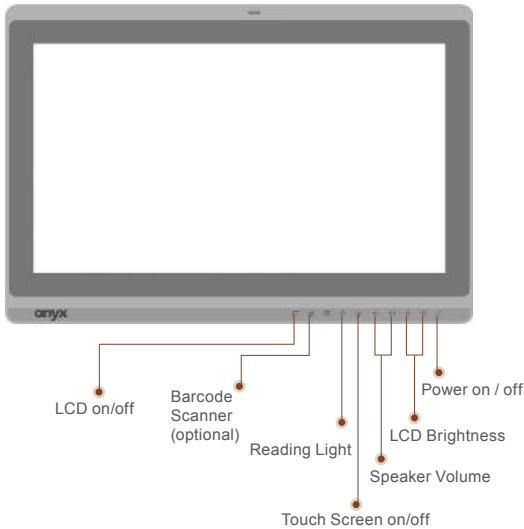
With two antennas built into the Slim Medical Panel PCs, massive medical records and PACS images can be transferred through IEEE 802.11b/g/n wireless LAN up to 150Mbps/sec.



Medical AIO Solution

MATE-2403

24" Fanless Core i7 Medical AIO



Features

- Intel® 6th Generation Core™ i7 / i5 / i3 Processor
- Intel® H110 Chipset
- Supports Dual Channel DDR4 2133 SODIMM up to 32GB
- 24" Full HD High Contrast MVA LCD
- 5-Wire Resistive Touch Screen / Capacitive Multi-Touch Screen
- Two Gigabit Ethernet
- High Speed USB 3.0 Ports
- RS-232 x 2
- PCI-Express x [1] x 1 (optional)
- +12V DC Input

Specifications

Main Specifications

Processor	Intel® 6th Generation Core i7 / i5 / i3 Processor
System Memory	Supports Dual Channel DDR4 2133 SODIMM up to 32GB
Chipset	Intel® H110
OS Support	Windows® 7, Windows® 8.1, Windows® 10, Linux®
Storage Disk Drive	2.5" SATA Hard Disk Drive/SSD x 1 Slim DVD-RW Drive x 1 (optional)
Security	Trusted Platform Module, RFID Reader (optional) Smart Card Reader x 1 (optional)
Wireless Communication	802.11 ac/a/b/g/n (optional), Bluetooth 3.0HS & 4.0 (optional)
Speaker	5W x 2
Function Key	Speaker Volume Up/Down, LCD Brightness Up/Down LCD On/Off, Touch Screen On/Off, Reading Light On/Off
Power Requirement	DC 12V

Display

Size	24" LCD
Resolution	1920 x 1080
Luminance	250 nits
View Angle	178°(H)/178°(V)
Contrast Ratio	3000:1
Back Light Life Time	30,000 Hours
Touch Screen	5-Wire Resistive / Capacitive Multi-Touch

I/O

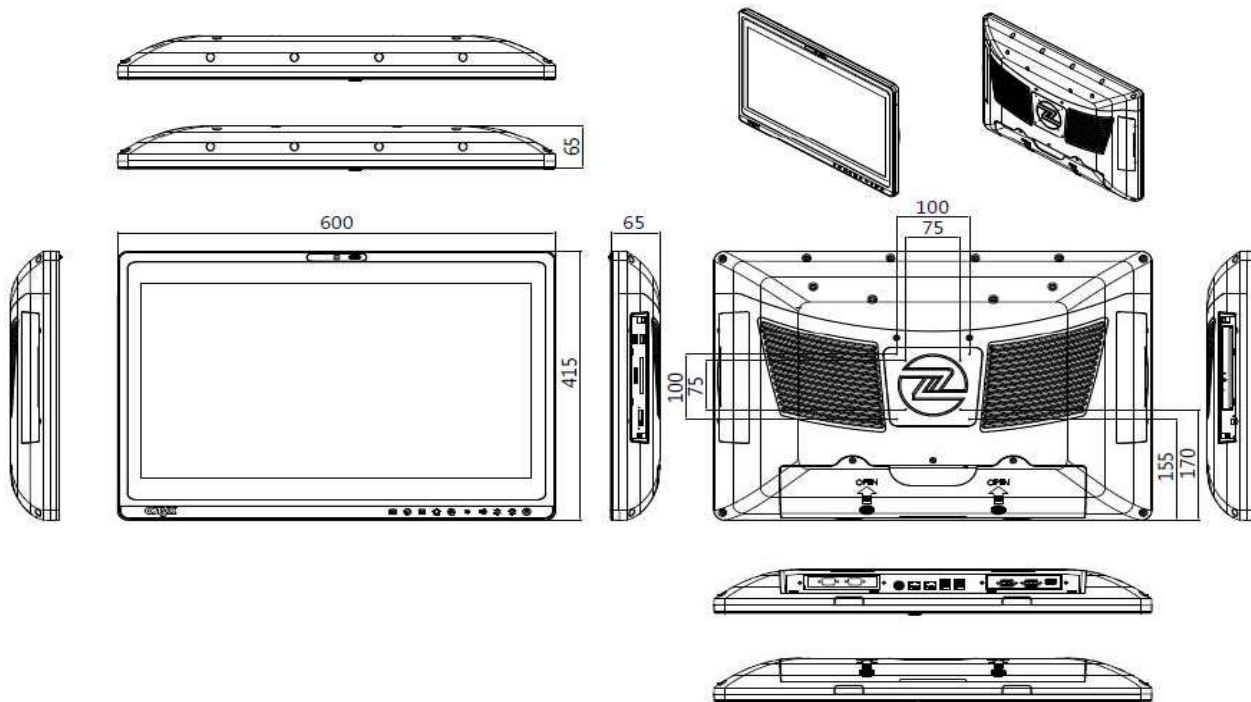
USB	USB 3.0 x 4, USB 2.0 x 2
Serial Port	RS-232 x 2
Ethernet	1.5KV Isolated Gigabit LAN x 2
Video Out	Display Port x1, HDMI x 1 (Supports resolution up to 3840 x 2160)
Audio	Mic-in, Line-out

Mechanical and Environmental

Operating Temperature	0°C ~ 35°C(32°F ~ 95°F)
Storage Temperature	-20°C ~ 60°C(-4°F ~ 140°F)
Mounting VESA	75/100 mm
Degree of Protection	IP65 in the front ; IP54 in the back
Net Weight	9.7kg (21.4lb)
Package Dimension (W x D x H)	790 x 220 x 550mm
Certifications	CE: EN 60601-1-2:2015(V4.0), EN 60601-1:2006/A1:2013(V3.1) FCC: Part 18 Class B UL: ANSI/AAMI ES60601-1:2012 (V3.1) cUL: CAN/CSA-C22.2 No. 60601-1:2014 (V3.1)

24" Fanless Core i7 Medical AIO

Dimension / Unit: mm



Ordering Information

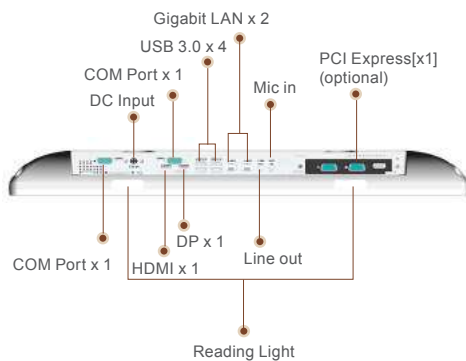
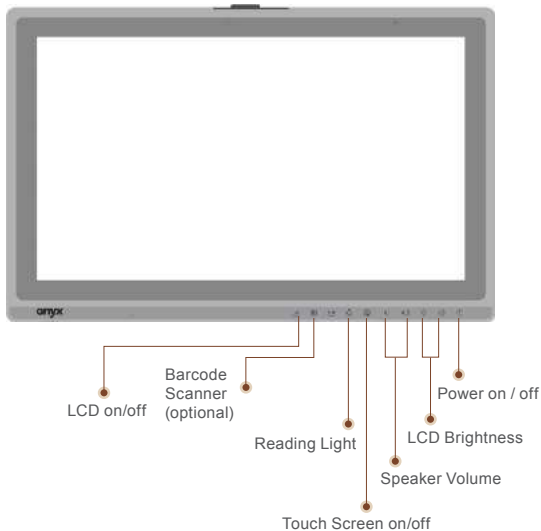
- » MATE-2403ST-A1-1010
Medical Panel PC, 24" LCD, i7, 4GB RAM, DC 12V, Capacitive Touch
- » MATE-2403ST-A2-1010
Medical Panel PC, 24" LCD, i5, 4GB RAM, DC 12V, Capacitive Touch
- » MATE-2403ST-A3-1010
Medical Panel PC, 24" LCD, i3, 4GB RAM, DC 12V, Capacitive Touch
- » MATE-2403ET-A1-1010
Medical Panel PC, 24" LCD, i7, 4GB RAM, DC 12V, Resistive Touch
- » MATE-2403ET-A2-1010
Medical Panel PC, 24" LCD, i5, 4GB RAM, DC 12V, Resistive Touch
- » MATE-2403ET-A3-1010
Medical Panel PC, 24" LCD, i3, 4GB RAM, DC 12V, Resistive Touch

Optional Accessories

- » 1255301204
Medical Power Adapter, 120W, 12V
- » OPM-T006-A2
Smart Card Reader Kit
- » OPM-T013-A2
Slim Slot-in DVD-RW Drive
- » OPM-C16W-A6
WLAN Kit, IEEE 802.11a/b/g/n + Bluetooth 4.0
- » OPM-R03X-A1
PCI Express[x1] Riser Kit
- » OPM-S06-A1
RFID Reader Kit
- » OPM-C02C-A1
Two Isolated RS-232 & One Isolated USB 2.0 PCIe Card
- » OPM-C02C-A2
Two Isolated RS-232 PCIe Card
- » OPM-C03C-A1
One Isolated Gigabit LAN & One Isolated RS-232 & One Isolated USB 2.0 PCIe Card
- » OPM-T017-A2
Hot Swap Rack w/Lock Kit for 2.5" HDD/SSD

MATE-2203

22" Fanless Core i7 Medical AIO



Features

- Intel® 6th Generation Core™ i7/ i5 / i3 Processor
- Intel® H110 Chipset
- Supports Dual Channel DDR4 2133 SODIMM up to 32GB
- 22" Full HD LCD with LED Backlight
- 5-Wire Resistive Touch Screen / Capacitive Multi-Touch Screen
- Two Gigabit Ethernet
- High Speed USB 3.0 Ports
- RS-232 x 2
- PCI-Express x [1] x 1 (optional)
- +12V DC Input

Specifications

Main Specifications

Processor	Intel® 6th Generation Core i7 / i5 / i3 Processor
System Memory	Supports Dual Channel DDR4 2133 SODIMM up to 32GB
Chipset	Intel® H110
OS Support	Windows® 7, Windows® 8.1, Windows® 10, Linux®
Storage Disk Drive	2.5" SATA Hard Disk Drive/SSD x 1 Slim DVD-RW Drive x 1 (optional)
Security	Trusted Platform Module, RFID Reader (optional) Smart Card Reader x 1 (optional)
Wireless Communication	802.11ac/a/b/g/n(optional), Bluetooth 3.0HS & 4.0 (optional)
Speaker	5W x 2
Function Key	Speaker Volume Up/Down, LCD Brightness Up/Down LCD On/Off, Touch Screen On/Off, Reading Light On/Off
Power Requirement	DC 12V

Display

Size / Type	22" MVA LCD
Max. Resolution	1920 x 1080
Luminance(cd/m2)(TYP)	250 nits
Viewing Angle	178°(H)/178°(V)
Contrast Ratio	3000:1
Back Light Life Time	30,000 Hours
Touch Screen	5-Wire Resistive / Capacitive Multi-Touch

I/O

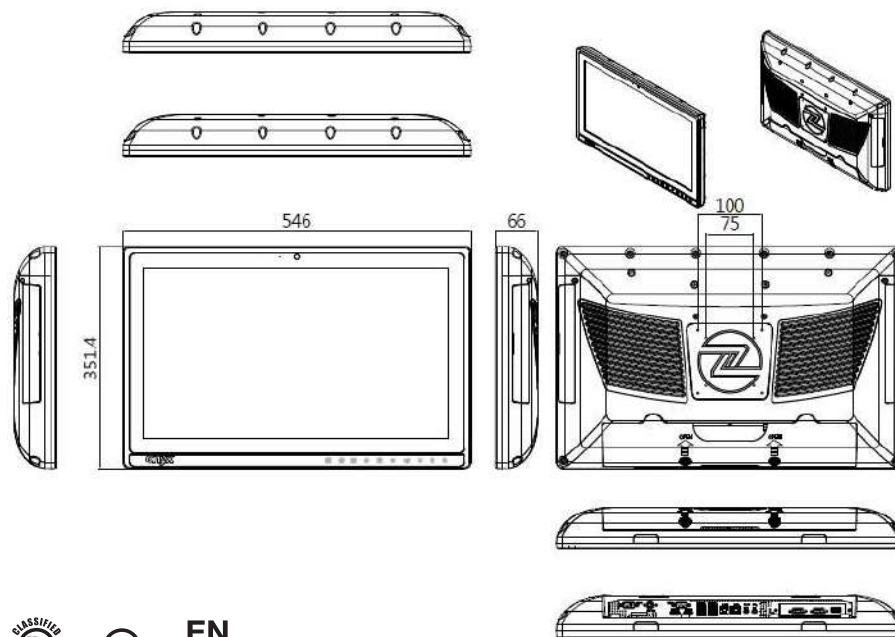
USB	USB 3.0 x 4, USB 2.0 x 2
Serial Port	RS-232 x 2
Ethernet	1.5KV Isolated Gigabit LAN x 2
Video Out	Display Port x1, HDMI x 1 (Supports resolution up to 3840 x 2160)
Audio	Mic-in, Line-out

Mechanical and Environmental

Operating Temperature	0°C ~ 35°C(32°F ~ 95°F)
Storage Temperature	-20°C ~ 60°C(-4°F ~ 140°F)
Mounting VESA	75/100 mm
Degree of Protection	IP65 in the front ; IP54 in the back
Net Weight	8.5kg (18.7lb)
Package Dimension (W x D x H)	750 x 220 x 490mm
Certifications	CE: EN 60601-1-2:2015(V4.0), EN 60601-1:2006/A1:2013(V3.1) FCC: Part 18 Class B UL: ANSI/AAMI ES60601-1:2012 (V3.1) cUL: CAN/CSA-C22.2 No. 60601-1:2014 (V3.1)

22" Fanless Core i7 Medical AIO

Dimension / Unit: mm



Ordering Information

- » MATE-2203ST-A1-1010
Medical Panel PC, 22" LCD, i7, 4GB RAM, DC 12V, Capacitive Touch
- » MATE-2203ST-A2-1010
Medical Panel PC, 22" LCD, i5, 4GB RAM, DC 12V, Capacitive Touch
- » MATE-2203ST-A3-1010
Medical Panel PC, 22" LCD, i3, 4GB RAM, DC 12V, Capacitive Touch
- » MATE-2203ET-A1-1010
Medical Panel PC, 22" LCD, i7, 4GB RAM, DC 12V, Resistive Touch
- » MATE-2203ET-A2-1010
Medical Panel PC, 22" LCD, i5, 4GB RAM, DC 12V, Resistive Touch
- » MATE-2203ET-A3-1010
Medical Panel PC, 22" LCD, i3, 4GB RAM, DC 12V, Resistive Touch

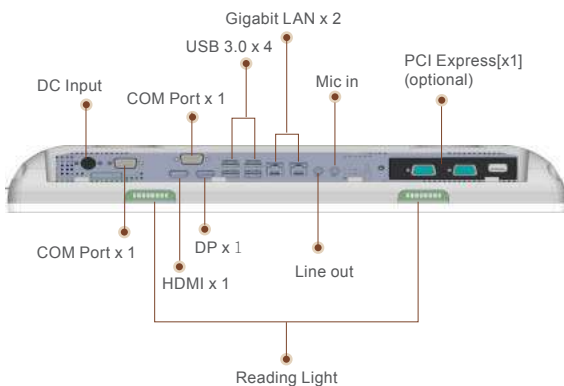
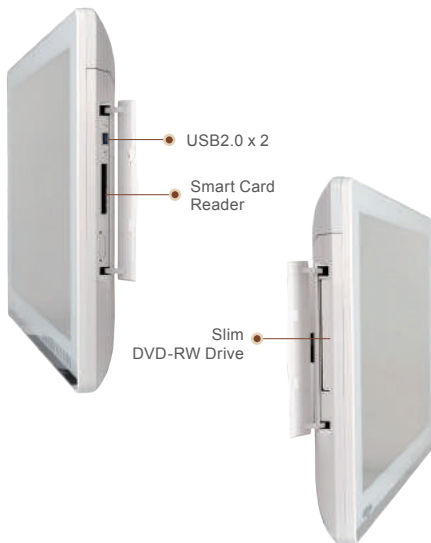
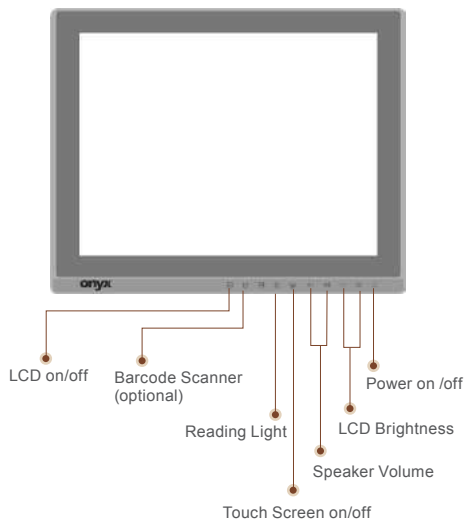
Optional Accessories

- » 1255301204
Medical Power Adapter, 120W, 12V
- » OPM-T006-A2
Smart Card Reader Kit
- » OPM-T013-A1
Slim Slot-in DVD-RW Drive
- » OPM-C16W-A6
WLAN Kit, IEEE 802.11a/b/g/n + Bluetooth 4.0
- » OPM-R03X-A1
PCI Express[x1] Riser Kit
- » OPM-S06R-A2
RFID Reader Kit
- » OPM-C02C-A1
Two Isolated RS-232 & One Isolated USB 2.0 PCIe Card
- » OPM-C02C-A2
Two Isolated RS-232 PCIe Card
- » OPM-C03C-A1
One Isolated Gigabit LAN & One Isolated RS-232 & One Isolated USB 2.0 PCIe Card
- » OPM-T017-A2
Hot Swap Rack w/Lock Kit for 2.5" HDD/SSD

Medical AIO Solution

MATE-1903

19" Fanless Core i7 Medical AIO



Features

- Intel® 6th Generation Core™ i7 / i5 / i3 Processor
- Intel® H110 Chipset
- Supports Dual Channel DDR4 2133 SODIMM up to 32GB
- 19" SXGA LCD with LED Backlight
- 5-Wire Resistive Touch Screen / Capacitive Multi-Touch Screen
- Two Gigabit Ethernet
- High Speed USB 3.0 Ports
- RS-232 x 2
- PCI-Express x [1] x 1 (optional)
- +12V DC Input

Specifications

Main Specifications

Processor	Intel® 6th Generation Core i7 / i5 / i3 Processor
System Memory	Supports Dual Channel DDR4 2133 SODIMM up to 32GB
Chipset	Intel® H110
OS Support	Windows® 7, Windows® 8.1, Windows® 10, Linux®
Storage Disk Drive	2.5" SATA Hard Disk Drive/SSD x 1 Slim DVD-RW Drive x 1 (optional)
Security	Trusted Platform Module, RFID Reader (optional) Smart Card Reader x 1 (optional)
Wireless Communication	802.11ac/a/b/g/n(optional), Bluetooth 3.0HS & 4.0 (optional)
Speaker	5W x 2
Function Key	Speaker Volume Up/Down, LCD Brightness Up/Down LCD On/Off, Touch Screen On/Off, Reading Light On/Off
Power Requirement	DC 12V

Display

Size / Type	19" TN LCD
Max. Resolution	1280 x 1024
Luminance(cd/m2)(TYP)	250 nits
Viewing Angle	170°(H)/160°(V)
Contrast Ratio	1000:1
Back Light Life Time	30,000 Hours
Touch Screen	5-Wire Resistive / Capacitive Multi-Touch Screen

I/O

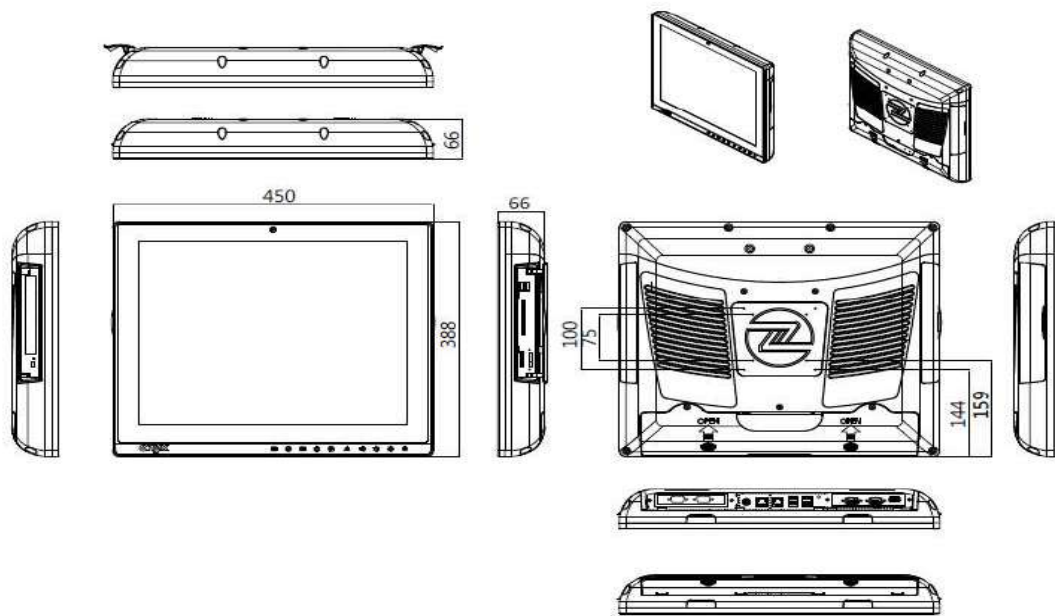
USB	USB 3.0 x 4, USB 2.0 x 2
Serial Port	RS-232 x 2
Ethernet	1.5KV Isolated Gigabit LAN x 2
Video Out	Display Port x1, HDMI x 1 (Supports resolution up to 3840 x 2160)
Audio	Mic-in, Line-out

Mechanical and Environmental

Operating Temperature	0°C ~ 35°C(32°F ~ 95°F)
Storage Temperature	-20°C ~ 60°C(-4°F ~ 140°F)
Mounting VESA	75/100 mm
Degree of Protection	IP65 in the front ; IP54 in the back
Net Weight	7.5kg (16.5lb)
Package Dimension (W x D x H)	640 x 220 x 520mm
Certifications	CE: EN 60601-1-2:2015(V4.0), EN 60601-1:2006/A1:2013(V3.1) FCC: Part 18 Class B UL: ANSI/AAMI ES60601-1:2012 (V3.1) cUL: CAN/CSA-C22.2 No. 60601-1:2014 (V3.1)

19" Fanless i5 Medical AIO

Dimension / Unit: mm



Ordering Information

- » MATE-1903ST-A1-1010
Medical Panel PC, 19" LCD, i7, 4GB RAM, DC 12V, Capacitive Touch
- » MATE-1903ST-A2-1010
Medical Panel PC, 19" LCD, i5, 4GB RAM, DC 12V, Capacitive Touch
- » MATE-1903ST-A3-1010
Medical Panel PC, 19" LCD, i3, 4GB RAM, DC 12V, Capacitive Touch
- » MATE-1903ET-A1-1010
Medical Panel PC, 19" LCD, i7, 4GB RAM, DC 12V, Resistive Touch
- » MATE-1903ET-A2-1010
Medical Panel PC, 19" LCD, i5, 4GB RAM, DC 12V, Resistive Touch
- » MATE-1903ET-A3-1010
Medical Panel PC, 19" LCD, i3, 4GB RAM, DC 12V, Resistive Touch

Optional Accessories

- » 1255301204
Medical Power Adapter, 120W, 12V
- » OPM-T006-A2
Smart Card Reader Kit
- » OPM-T013-A2
Slim Slot-in DVD-RW Drive
- » OPM-C16W-A6
WLAN Kit, IEEE 802.11a/b/g/n + Bluetooth 4.0
- » OPM-R03X-A1
PCI Express[x1] Riser Kit
- » OPM-C02C-A1
Two Isolated RS-232 & One Isolated USB 2.0 PCIe Card
- » OPM-C02C-A2
Two Isolated RS-232 PCIe Card
- » OPM-C03C-A1
One Isolated Gigabit LAN & One Isolated RS-232 & One Isolated USB 2.0 PCIe Card
- » OPM-T017-A2
Hot Swap Rack w/Lock Kit for 2.5" HDD/SSD

Healthcare Infotainment Solution

Onyx is proud to introduce its medical infotainment solutions to reduce the workload of nurses and maximize patient's hospital experience during their stays. Onyx Infotainment series are offered in 10.1"/11.6"/15.6"/18.5" touch panel LCDs and are all low power high performance all-in-one terminals with high brightness, wide viewing angles, and anti-microbial design. From the high performance Intel processor to power saving ARM CPUs, Onyx Infotainment series allows customers to select from a wide variety of bedside solutions that best fits their need and budget.



Key Features

- »» HD video quality with HDMI input
- »» 10.1" to 18.5" Wide Color TFT LCD w/ Multi Touch
- »» USB interface to host computer
- »» Light Weight from 1.5 to 3.2kg
- »» Wire Remote Control w/ handset Function
- »» Smart Card Reader / MSR / VOIP Phone, Web Camera, High Quality Speakers
- »» Reading Light
- »» Extension Features: RFID, Smart Card Reader, Barcode scanner
- »» EN60601-1 / UL 60601-1



Complete Range of Medical Solutions to Suit Your Needs

From display systems such as bedside monitors to medical grade boxPCs and all-in-one terminals, Onyx offers a comprehensive assortment of medical IT solutions to cover virtually any computing need in the healthcare community.



Peripheral Support Features that Extend Your Efficiency

Increasing the efficiency of your healthcare facility is conveniently managed with the addition of intelligent peripheral devices. Like smart card and magnetic swipe card readers, high resolution webcams, and 10-point multi-touch displays.



Ergonomic and Cost-effective Design

The Bedside Infotainment Series offers solutions that are both lightweight and compact in size, making them easy to carry, install, and manage for medical staff. Units with an 18.5" display weigh only 3.5kg, while units with an 11.6" display weigh just 1.5kg. The competitively priced Bedside Infotainment Series makes it an ideal solution to fit a multitude of medical IT applications, while at the same time saving on your budget.



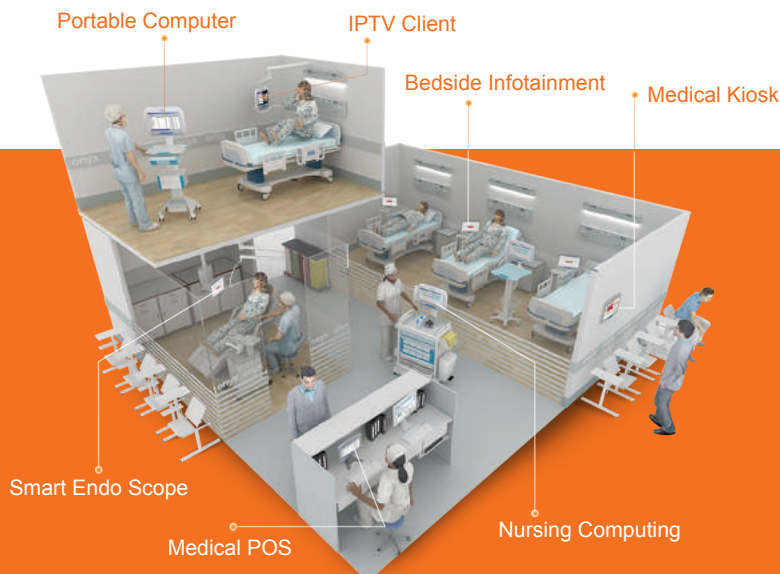
Power over Ethernet (PoE)

The advantages of using PoE include providing a single cable for both data and power that eliminates the need for extra power cords; ease of installation as there is no need to coordinate data and power sources which can leave extra lengths of exposed cabling; and the ability to use existing infrastructure, minimizing interruptions to facilities and patients.



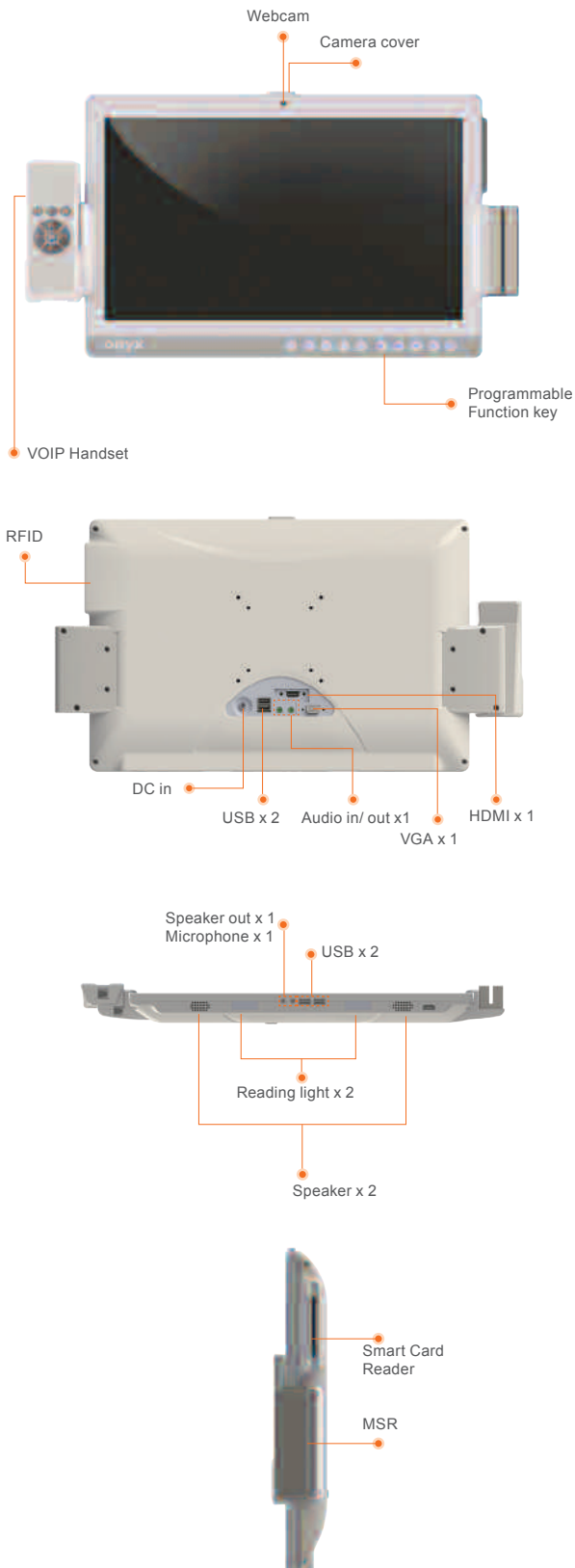
Multifunctional Remote Control

Controlling the Bedside Infotainment system has been made as simple and convenient as possible with the multifunctional remote control. The controller includes a VOIP phone as well as all buttons necessary to control the unit. An optional 2D barcode scanner is also available.



ONYX-BE381

18.5" Bedside Infotainment Touch Monitor



Features

- HD video quality with HDMI input
- 18.5 Wide Color TFT LCD Touch Monitor Light Weight
- PCT Touch for supporting Multi-Touch
- USB interface to host computer
- Light Weight at 3.2kg
- Wire Remote Control w/ handset Function
- VOIP Phone, Web Camera, High Quality Speakers, MSR
- Smart Card Reader / MSR
- Reading Light
- Alarm LED controlled thru USB
- Extension Features: RFID, Smart Card Reader, Barcode scanner
- EN60601-1 / UL 60601-1

Specifications

Main Specifications

Size	18.5" (16:9) Color TFT LCD
Resolution	1366 x 768
Max. Colors	16.7M
Luminance	300 nits
View Angle	170(H)/160(U)
Contrast Ratio	1000:1
MTBF	30,000 Hours
Touch Screen	Projected Capacitive Touch / 5-Wire Resistive Touch

I/O

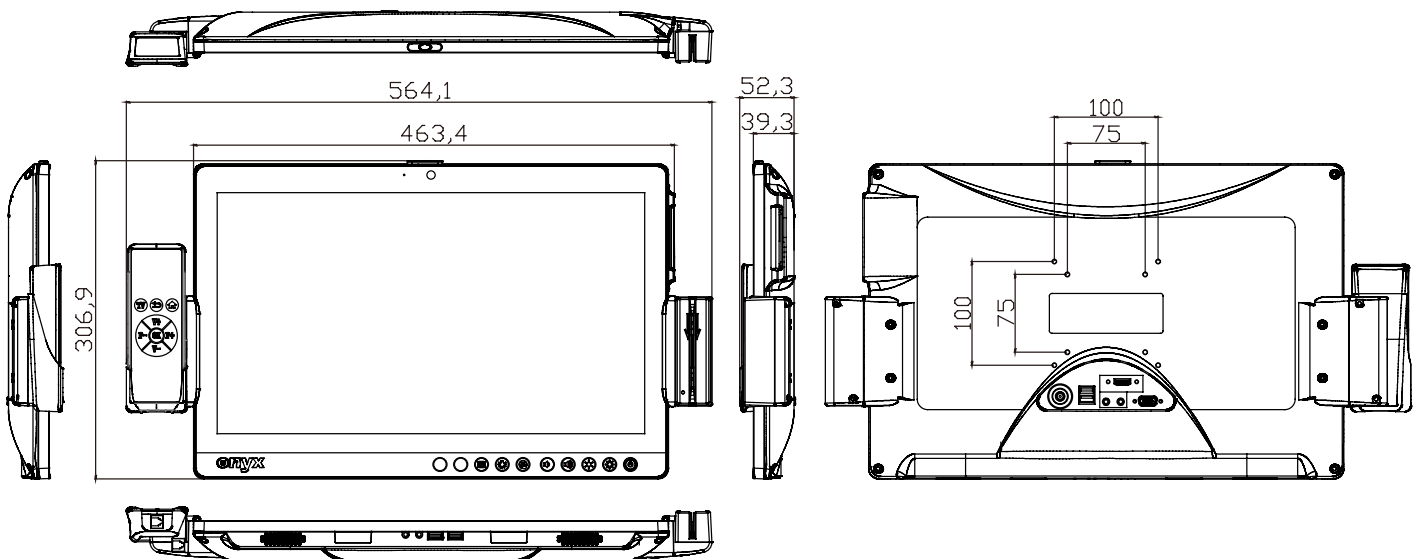
Front USB	2 x External USB2.0 on bottom I/O
Rear USB	2 x Rear USB2.0 for connecting Host computer
Video in	HDMI / VGA x 1
Front Audio	Speaker out x 1 and Microphone-in x1
Rear Audio	Audio-in x 1 and Microphone-in x1
Speaker	2 x 3W High Quality Speakers
Extension	1D / 2D Barcode Scanner VOIP Phone w/ wire remote control Web Camera MSR RFID Smart Card Reader

Mechanical and Environmental

Power Consumption	Full Loading: 18Watts
Infection Control	Anti-Bacteria (optional)
Power Requirement	DC 12V ~24V
Operating Temperature	0°C ~ 40°C(32°F ~ 104°F)
Storage Temperature	-20°C ~ 60°C(-4°F ~ 140°F)
Mounting	VESA 75/100 mm
Degree of protection	Front Panel: IP65; Whole Unit: IPX1
Net Weight	3.2kg (7.05lb) (w/packing)
Gross weight	6.8kg (14.99lb) (w/packing)
Package Dimension (W x D x H)	721 x 224 x 464 mm
Certifications	CE: EN 60601-1-2:2015(V4.0), EN 60601-1:2006/A1:2013(V3.1) FCC: Part 18 Class B UL: ANSI/AAMI ES60601-1:2012 (V3.1) cUL: CAN/CSA-C22.2 No. 60601-1:2014 (V3.1)

18.5" Bedside Infotainment Touch Monitor

Dimension / Unit: mm



Ordering Information

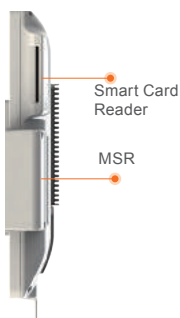
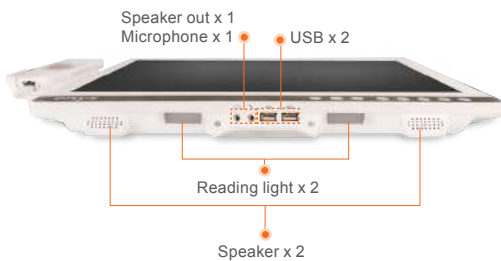
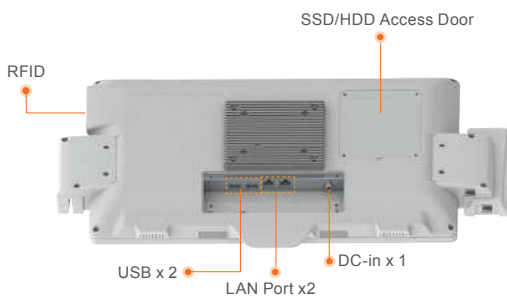
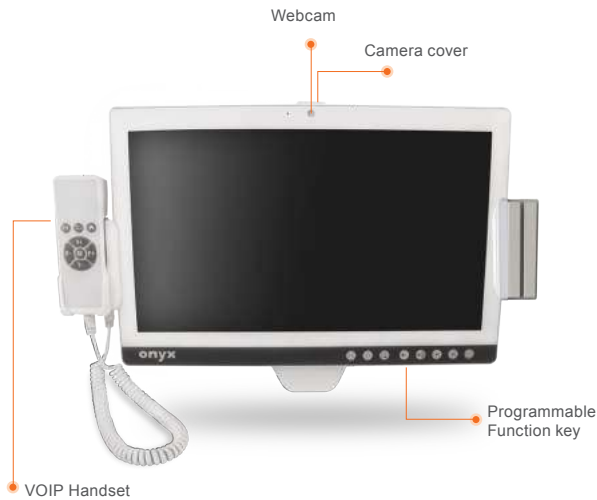
- | | |
|---|---|
| <p>» ONYX-BE381DT-A1-1010
18.5" Infotainment Touch Monitor, HDMI Input, Resistive Touch, Reading Light, Web Camera, Smart Card Reader</p> | <p>» ONYX-BE381DT-A2-1010
18.5" Infotainment Touch Monitor, HDMI Input, PCT, Reading Light, Web Camera, Smart Card Reader</p> |
| <p>» ONYX-BE381DT-F1-1010
18.5" Infotainment Touch Monitor, HDMI Input, Reading Light, Resistive Touch, Web Camera, Smart Card Reader, RFID</p> | <p>» ONYX-BE381DT-F2-1010
18.5" Infotainment Touch Monitor, HDMI Input, PCT, Reading Light, Web Camera, Smart Card Reader, RFID</p> |

Optional Accessories

- | | |
|---|--|
| <p>» 1255300657
Medical Power Adapter, 60W, 24V</p> | <p>» OPM-H13A-A1
Bedside Wall Mount Long Arm, 1~6kg, VESA 75/100</p> |
| <p>» OPM-H04A
ARM, Wall Mount, VESA 75/100, 1~7kg</p> | <p>» OPM-H15A-A1
Easi Ceiling Mount Swivel Arm, 1~6kg, VESA 75/100</p> |
| <p>» OPM-T018-A1
Handset w/o Dual Kaypads, CAM & Nurse Call</p> | |
| <p>» OPM-T018-A2
Handset with Dual Kaypads, CAM. w/o Nurse Call</p> | |
| <p>» OPM-S02C-A1
MSR for BE381</p> | |

ONYX-BE182

18.5" Fanless Bedside Infotainment Touch Terminal



Features

- Intel® J1900 2.42GHz Quad Core Processor
- 18.5" Wide Color TFT LCD Touch Terminal
- PCT for supporting Multi-Touch
- Wire Remote-Control w/ Handset Function
- VOIP Phone, Webcam, High Quality Speaker, MSR, Smart Card Reader
- Reading Light
- Extension Feature: RFID, Barcode Scanner
- IP65 Water Proof in front
- EN 60601-1, UL 60601-1

Specifications

Main Specifications

Processor	Intel® Celeron J1900 Quad Core 2.42GHz
System Memory	Supports DDR3 SODIMM up to 8GB
Expansion Interface	Mini Card x 2
Storage Disk Drive	2.5" SATA Hard Disk Drive/SSD x 1
Security	Trusted Platform Module, Smart Card Reader (optional), MSR (optional), RFID (optional)
Wireless communication	802.11b/g/n(optional), Bluetooth 4.0 (optional)
Speaker	3W x 2
Camera	2 Megapixels
Function Key	Speaker Volume Up/Down, LCD Brightness Up/Down
Power Requirement	DC 12~24V
OS Support	Windows 7, Windows 8.1, Windows 10, Linux

Display

Size	18.5" (16:9) Color TFT LCD
Resolution	1366 x 768 HD / 1920 x 1080 FHD (optional)
Max. Colors	16.7M
Luminance	250 nits / 350 nits
View Angle	170(H)/160(U)
Contrast Ratio	1000:1
MTBF	30,000 Hours / 50,000 Hours
Touch Screen	Projected Capacitive Touch / 5-Wire Resistive Touch

I/O

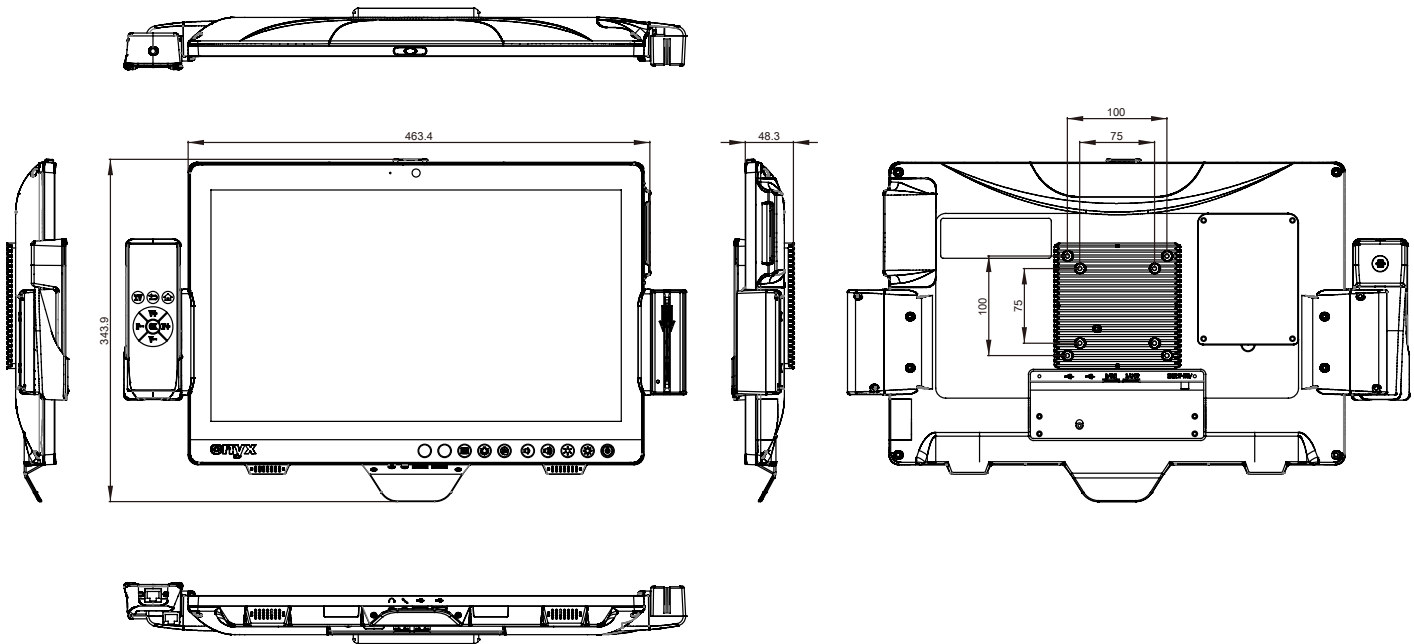
USB	USB2.0 x 4
Serial Port	Isolated RS-232 x 1 (optional)
Ethernet	Isolated Gigabit LAN x 2
Audio	Mic-in, Line-out

Mechanical and Environmental

Infection Control	Anti-Bacteria (optional)
Power Requirement	DC 12V ~24V
Operating Temperature	0°C ~ 40°C(32°F ~ 104°F)
Storage Temperature	-20°C ~ 60°C(-4°F ~ 140°F)
Mounting	VESA 75/100 mm
Degree of protection	Front Panel: IP65; Whole Unit: IPX1
Net Weight	4.2 kg
Package Dimension (W x D x H)	721 x 224 x 464 mm
Certifications	CE: EN 60601-1-2:2015(V4.0), EN 60601-1:2006/A1:2013(V3.1) FCC: Part 18 Class B UL: ANSI/AAMI ES60601-1:2012 (V3.1) cUL: CAN/CSA-C22.2 No. 60601-1:2014 (V3.1)

18.5" Fanless Bedside Infotainment Touch Terminal

Dimension / Unit: mm



Ordering Information

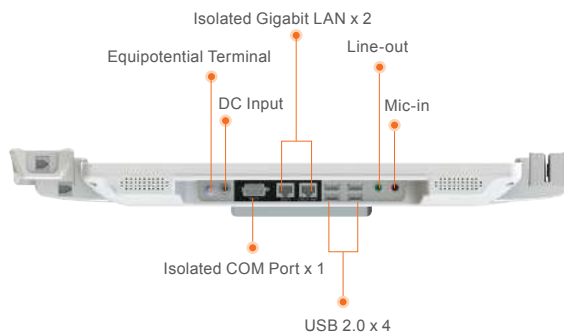
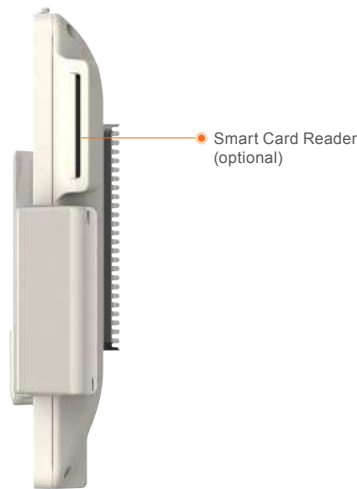
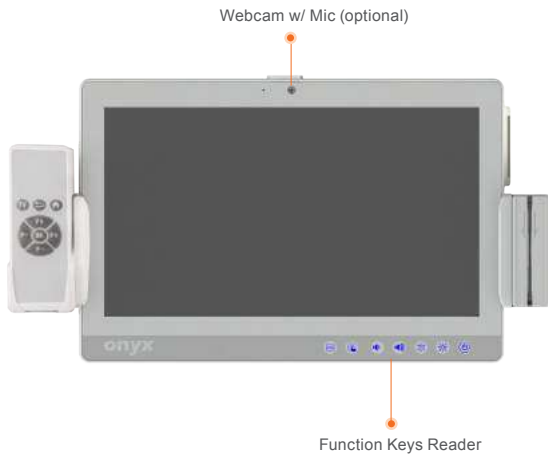
- » **ONYX-BE182DT-A1-1010**
18.5" Infotainment Terminal. Intel Quad-Core J1900. 2G RAM. Fanless. Resistive Touch. Reading Light. Webcam. Smart Card Reader
- » **ONYX-BE182DT-A2-1010**
18.5" Infotainment Terminal. Intel Quad-Core J1900. 2G RAM. Fanless. PCT Touch. Reading Light. Webcam. Smart Card Reader
- » **ONYX-BE182DT-F1-1010**
18.5" Infotainment Terminal. Intel Quad-Core J1900. 2G RAM. Fanless. Resistive Touch. Reading Light. Webcam. Smart Card Reader. RFID
- » **ONYX-BE182DT-F2-1010**
18.5" Infotainment Terminal. Intel Quad-Core J1900. 2G RAM. Fanless. PCT Touch. Reading Light. Webcam. Smart Card Reader. RFID

Optional Accessories

- » **1255300657**
Medical Power Adapter, 60W, 24V
- » **OPM-H04A**
ARM, Wall Mount, VESA 75/100, 1~7kg
- » **OPM-T018-A1**
Handset w/o Dual Kaypads, CAM & Nurse Call
- » **OPM-T018-A2**
Handset with Dual Kaypads, CAM. w/o Nurse Call
- » **OPM-C16W-A5**
WLAN kit. 802.11 a/b/g/n + Bluetooth 4.0LE/ 3.0HS/ 2.1EDR for BE182
- » **OPM-S02C-A1**
MSR for BE381
- » **OPM-H13A-A1**
Bedside Wall Mount Long Arm, 1~6kg, VESA 75/100
- » **OPM-H15A-A1**
Easi Ceiling Mount Swivel Arm, 1~6kg, VESA 75/100

ONYX-1531

15.6" Fanless Bedside Infotainment Touch Terminal



Features

- Intel® Celeron J1900 2.42GHz Quad Core Processor
- 15.6" High Brightness 300-nit Full HD LCD
- Supports DDR3L SODIMM up to 8GB
- 5-wire Resistive Touch Screen / Capacitive Multi-Touch Screen
- Easy Cleaning Flat Screen
- 7 Programmable Smart Function Keys
- COM/LAN Medical Isolation
- 2.0M Pixels Camera (optional)
- Handset w/2D Barcode Scanner (optional)
- Trusted Platform Module / Smart Card Reader(optional) / MSR(optional) / RFID (optional)
- +12V to +24V wide range DC input

Specifications

Main Specifications

Processor	Full loading: 19 Watts
System Memory	Supports DDR3L SODIMM up to 8GB
Expansion Interface	Mini Card x 1
Storage Disk Drive	2.5" SATA Hard Disk Drive/SSD x 1, mSATA SSD x 1
Security	Trusted Platform Module, Smart Card Reader (optional), MSR (optional), RFID (optional)
Wireless Communication	802.11a/b/g/n(optional), Bluetooth 4.0 (optional)
Speaker	3W x 2
Function Key	Speaker Volume Up/Down, LCD Brightness Up/Down
Power Requirement	DC 12~24V
OS Support	Windows 7, Windows 8.1, Windows10, Linux

Display

Size / Type	15.6" LCD
Max. Resolution	1920 x 1080
Luminance(cd/m2)(TYP)	300 nits
Max. Colors	16.7 M
Viewing Angle	160°(H)/140°(V)
Contrast Ratio	700:1
Back Light Life Time	> 15,000 hours
Touch Screen	5-Wire Resistive / Capacitive Multi-Touch

I/O

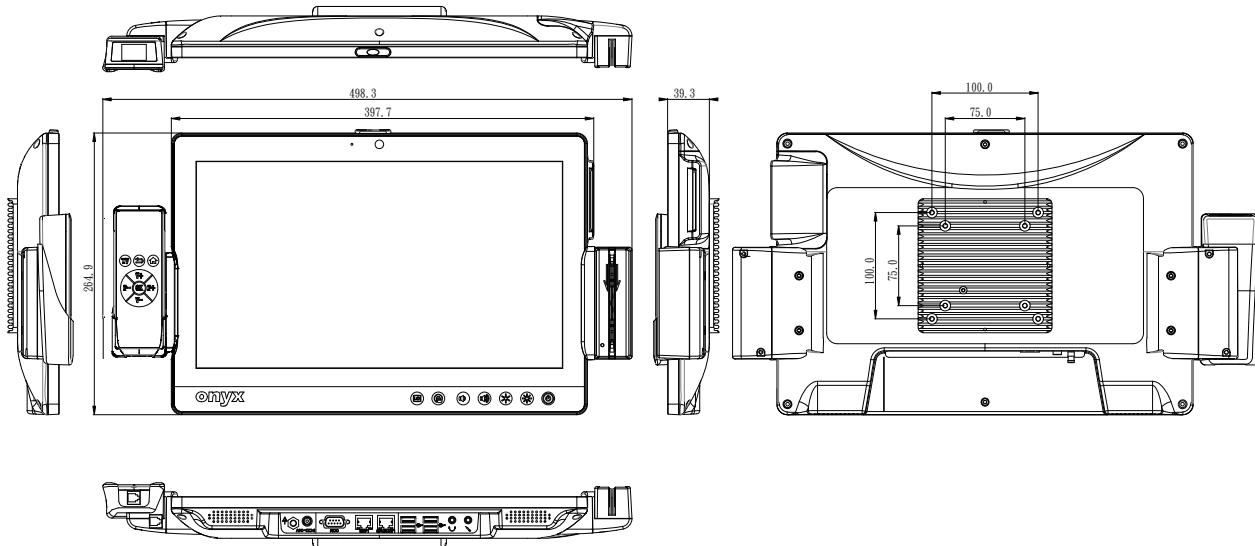
USB	USB 2.0 x 4
Serial Port	Isolated RS-232 x 1
Ethernet	Isolated Gigabit LAN x 2
Audio	Mic-in, Line-out

Mechanical and Environmental

Power Consumption	Full loading: 19 Watts
Operating Temperature	0°C ~ 40°C(32°F ~ 104°F)
Storage Temperature	-20°C ~ 60°C(-4°F ~ 140°F)
Mounting	VESA 75/100 mm
Degree of Protection	IP65 in the front, IPX1
Net Weight	2.8 kg (6.17lb)
Gross Weight	6.5 kg (14.33lb)
Package Dimension (W x D x H)	721 x 224 x 464 mm
Certifications	CE: EN 60601-1-2:2015(V4.0), EN 60601-1:2006/A1:2013(V3.1) FCC: Part 18 Class B UL: ANSI/AAMI ES60601-1:2012 (V3.1) cUL: CAN/CSA-C22.2 No. 60601-1:2014 (V3.1)

15.6" Fanless Bedside Infotainment Touch Terminal

Dimension / Unit: mm



Ordering Information

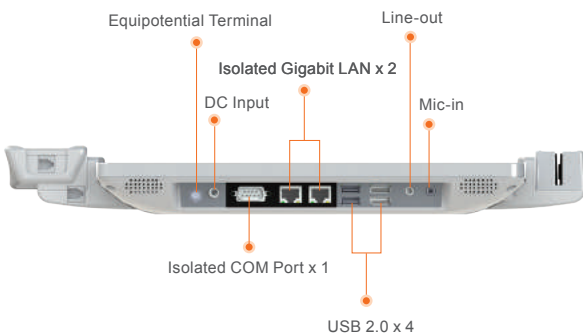
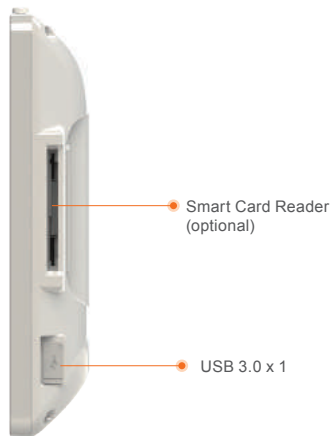
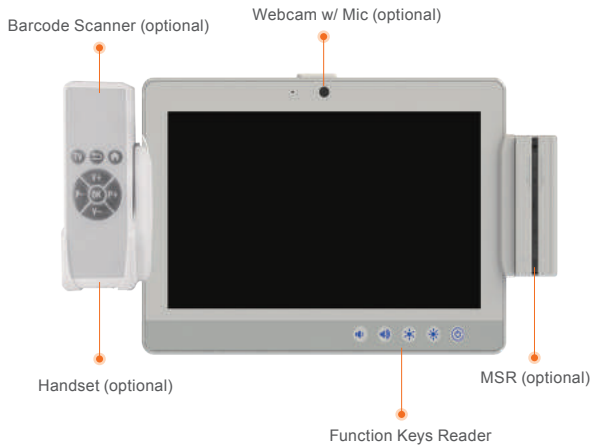
- » ONYX-1531ET-A1-1010
Slim Medical Panel PC, 15.6" LCD, Intel Celeron J1900, 2GB RAM, DC 12~24V, Resistive Touch
- » ONYX-1531ST-A1-1010
Slim Medical Panel PC, 15.6" LCD, Intel Celeron J1900, 2GB RAM, DC 12~24V, Capacitive Touch

Optional Accessories

- » 1757306039
Medical Power Adapter, 60W, 12V
- » OPM-T008-A1
Smart Card Reader Kit
- » OPM-S02C-A1
Magnetic Stripe Reader Kit
- » OPM-T011-A1
2M Pixels Camera with Mic Kit
- » OPM-T018-A5
Handset Kit
- » OPM-S04R-A1
Smart Card + RFID Reader Kit
- » OPM-T018-A6
Handset w/Dual-Keypads, Camera
- » OPM-C16W-A5
WLAN Kit, IEEE 802.11a/b/g/n + Bluetooth 4.0
- » OPM-P30D-A10
Power over Ethernet Kit

ONYX-1222

11.6" Fanless Bedside Infotainment Touch Terminal



Features

- Intel® Celeron J1900 2.42GHz Quad Core Processor
- 11.6" High Brightness 400-nit WXGA LCD
- Supports DDR3 SODIMM up to 8GB
- 5-wire Resistive Touch Screen / Capacitive Multi-Touch Screen
- Easy Cleaning Flat Screen
- 5 Programmable Smart Function Keys
- COM/LAN Medical Isolation
- High Speed USB 3.0 Port
- 2.0M Pixels Camera (optional)
- Handset w/2D Barcode Scanner (optional)
- Trusted Platform Module / Smart Card Reader(optional) / MSR(optional) / RFID (optional)

Specifications

Main Specifications

Processor	Intel® Celeron J1900 Quad Core 2.42GHz
System Memory	Supports DDR3 SODIMM up to 8GB
Expansion Interface	Mini Card x 2
Storage Disk Drive	2.5" SATA Hard Disk Drive/SSD x 1
Security	Trusted Platform Module, Smart Card Reader (optional), MSR (optional), RFID (optional)
Wireless Communication	802.11a/b/g/n(optional), Bluetooth 4.0 (optional)
Speaker	1W x 2
Function Key	Speaker Volume Up/Down, LCD Brightness Up/Down
Power Requirement	DC 12~24V / Power over Ethernet
OS Support	Windows 7, Windows 8.1, Windows 10, Linux

Display

Size / Type	11.6" LCD
Max. Resolution	1366 x 768
Luminance(cd/m2)(TYP)	220 nits
Max. Colors	16.7 M
Viewing Angle	170°(H)/170°(V)
Contrast Ratio	800:1
Back Light Life Time	> 15,000 hours
Touch Screen	5-Wire Resistive / Capacitive Multi-Touch

I/O

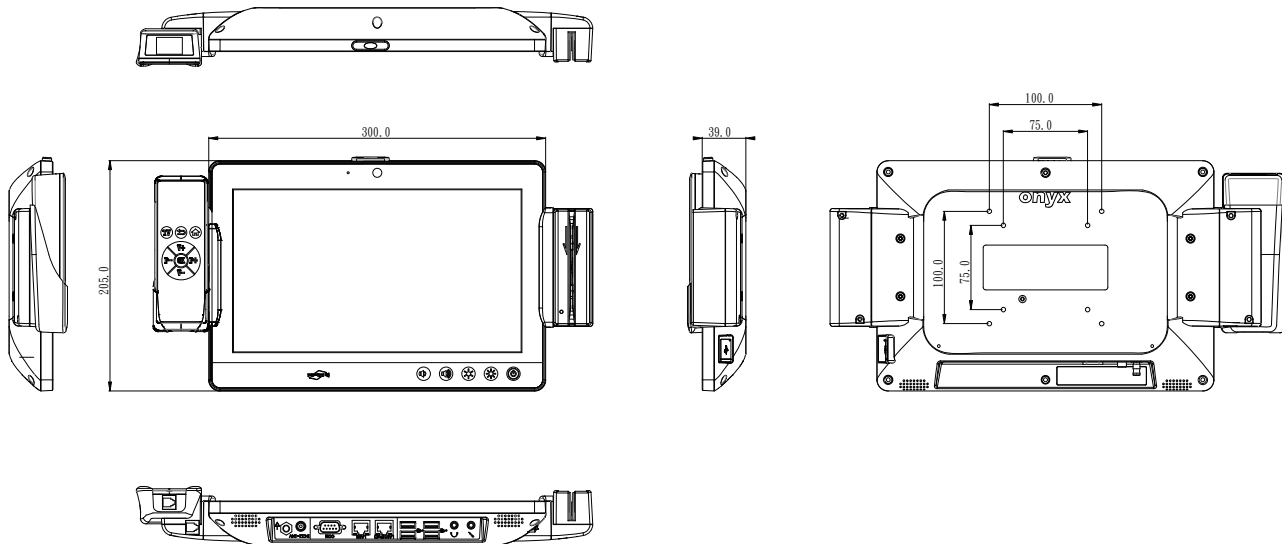
USB	USB 2.0 x 4, USB 3.0 x 1 (in side I/O)
Serial Port	Isolated RS-232 x 1
Ethernet	Isolated Gigabit LAN x 2
Audio	Mic-in, Line-out

Mechanical and Environmental

Power Consumption	Full Loading :22Watts
Operating Temperature	0°C ~ 40°C(32°F ~ 104°F)
Storage Temperature	-20°C ~ 60°C(-4°F ~ 140°F)
Mounting	VESA 75/100 mm
Degree of Protection	IP65 in the front, IPX1
Net Weight	1.5kg (3.3lb)
Gross Weight	4kg (8.82lb)
Package Dimensions (W x D x H)	540 x 230 x 370 mm
Certifications	CE: EN 60601-1-2:2015(V4.0), EN 60601-1:2006/A1:2013(V3.1) FCC: Part 18 Class B UL: ANSI/AAMI ES60601-1:2012 (V3.1) cUL: CAN/CSA-C22.2 No. 60601-1:2014 (V3.1)

11.6" Fanless Bedside Infotainment Touch Terminal

Dimension / Unit: mm



Ordering Information

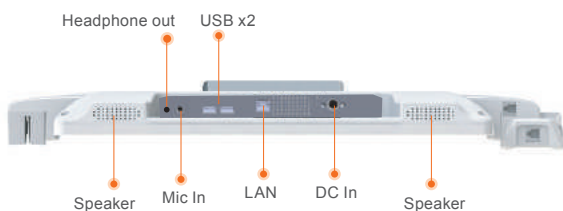
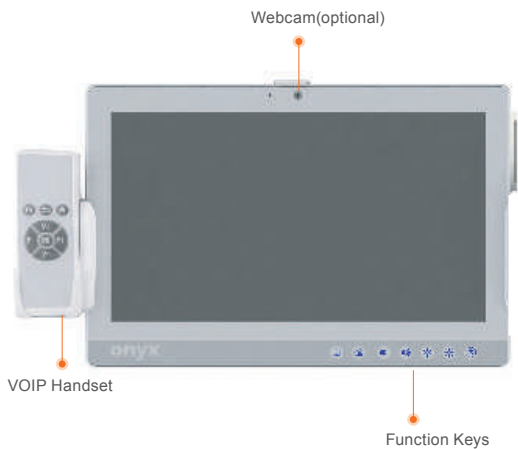
- » ONYX-1222ET-A1-1110
Slim Medical Panel PC, 11.6" LCD, Intel Celeron J1900, 2GB RAM, DC 12~24V, Resistive Touch
- » ONYX-1222ST-A1-1110
Slim Medical Panel PC, 11.6" LCD, Intel Celeron J1900, 2GB RAM, DC 12~24V, Capacitive Touch

Optional Accessories

- » 1757306039
Medical Power Adapter, 60W, 12V
- » OPM-T010-A1
Smart Card Reader Kit
- » OPM-S02C-A2
Magnetic Stripe Reader Kit
- » OPM-T011-A1
2M Pixels Camera with Mic Kit
- » OPM-T018-A3
Handset Kit
- » OPM-T018-A4
Handset w/Dual-Keypads, Camera
- » OPM-C16W-A4
WLAN Kit, IEEE 802.11a/b/g/n + Bluetooth 4.0LE/ 3.0HS / 2.1 EDR
- » OPM-P30D-A10
Power over Ethernet kit

ONYX-BE153R

15.6" Fanless Android Bedside Infotainment Touch Terminal



Features

- Rockchip RK3288 Processor
- Android 6.0
- 15.6" Wide Color TFT LCD Touch Terminal
- PCT with Multi-Touch support
- Intuitive Front Access Function Keys
- IP65 Waterproof in front
- Optional VOIP Phone, Webcam and RFID.
- EN 60601-1, UL 60601-1

Specifications

Main Specifications

Processor	Rockchip RK3288 ARM Cortex-A17 QC 1.6GHz
System Memory	DDR3L 2/4GB
Expansion Interface	Mini PCIe Slot x 1
Storage Disk Drive	16/64GB eMMC
Wireless Communication	802.11 ac + BT 4.1
Camera	5 Megapixels (Optional)
Speaker	3W x2
Security	13.56MHz RFID Reader (Optional)
Function Key	Power, Volume Up/Down, Brightness Up/Down, LCD On/Off, Touch On/Off
Power Requirement	DC 12V / Power Over Ethernet
OS Support	Android 6.0

Display

Size / Type	15.6" (16:9) Color TFT LCD
Max. Resolution	1920 x 1080 FHD
Luminance(cd/m2)(TYP)	300 nits
Max. Colors	16.7 M
Viewing Angle	178 (H)/178 (V)
Contrast Ratio	700:1
Touch Screen	Projected Capacitive Touch

I/O

USB	USB 2.0 (Type-A) x2 , Micro USB (OTG) x1 (Optional)
Serial Port	RS-232 x1 (Optional)
Ethernet	Gigabit LAN x1 (Support Power over Ethernet)
Audio	Mic-in x1, Headphone-out x1
SD Card Slot	Micro SD x1 (Optional)
DC-In	DC-In Jack x1

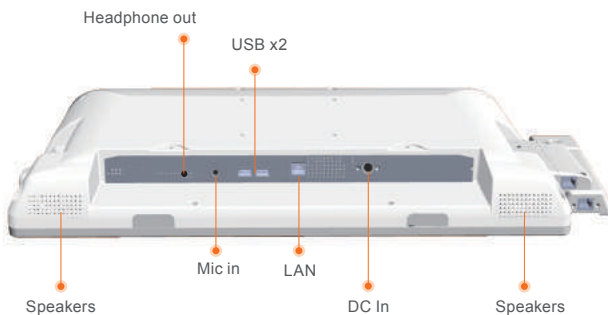
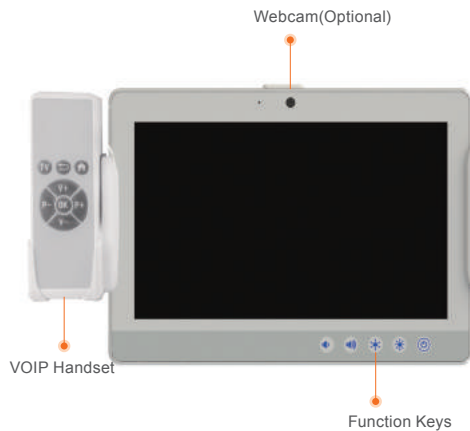
Mechanical and Environmental

Infection Control	Anti-Bacteria (Optional)
Operating Temperature	0°C ~ 40°C(32°F ~ 104°F)
Storage Temperature	-20°C ~ 60°C(-4°F ~ 140°F)
Mounting	VESA 75/100 mm
Degree of Protection	Front Panel: IP65, Whole Unit: IP54
Net Weight	TBD
Gross Weight	TBD
Package Dimensions (W x D x H)	TBD
Certifications	CE: EN 60601-1-2:2015(V4.0), EN 60601-1:2006/A1:2013(V3.1) FCC: Part 18 Class B UL: ANSI/AAMI ES60601-1:2012 (V3.1) cUL: CAN/CSA-C22.2 No. 60601-1:2014 (V3.1)

Healthcare Infotainment Solution

ONYX-BE122R

11.6" Fanless Android Bedside Infotainment Touch Terminal



Features

- Rockchip RK3288 Processor
- Android 6.0
- 11.6" Wide Color TFT LCD Touch Terminal
- PCT with Multi-Touch support
- Intuitive Front Access Function Keys
- IP65 Waterproof in front
- Optional VOIP Phone, Webcam and RFID
- EN 60601-1, UL 60601-1

Specifications

Main Specifications

Processor	Rockchip RK3288 ARM Cortex-A17 QC 1.6GHz
System Memory	DDR3L 2/4GB
Expansion Interface	Mini PCIe Slot x 1
Storage Disk Drive	16/64GB eMMC
Wireless Communication	802.11 ac + BT 4.1
Speaker	2W x2
Camera	5 Megapixels (Optional)
Security	13.56MHz RFID Reader (Optional)
Function Key	Power, Volume Up/Down, Brightness Up/Down, LCD On/Off, Touch On/Off, Reading Light On/Off
Power Requirement	DC 12V / Power Over Ethernet
OS Support	Android 6.0

Display

Size / Type	11.6" (16:9) Color TFT LCD
Max. Resolution	1366 x 768 HD
Luminance(cd/m2)(TYP)	350 nits
Max. Colors	16.7 M
Viewing Angle	178°(H)/178°(V)
Contrast Ratio	800:1
Touch Screen	Projected Capacitive Touch

I/O

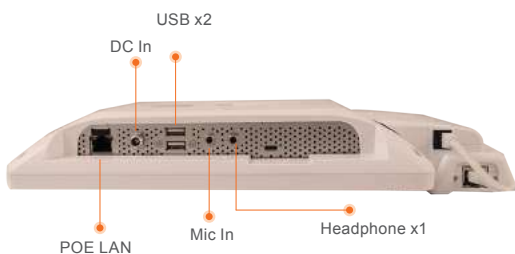
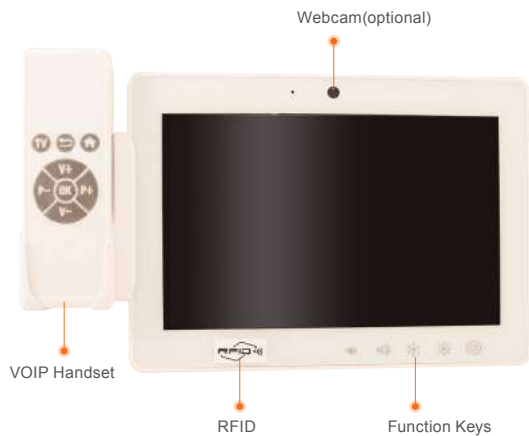
USB	USB 2.0 (Type-A) x2 , Micro USB (OTG) x1 (Optional)
Serial Port	RS-232 x1 (Optional)
Ethernet	Gigabit LAN x1 (Support Power over Ethernet)
Audio	Mic-in x1, Headphone-out x1
SD Card Slot	Micro SD x1 (Optional)
DC-In	DC-In Jack x1

Mechanical and Environmental

Power Consumption	Anti-Bacteria (Optional)
Operating Temperature	0°C ~ 40°C(32°F ~ 104°F)
Storage Temperature	-20°C ~ 60°C(-4°F ~ 140°F)
Mounting	VESA 75/100 mm
Degree of Protection	Front Panel: IP65, Whole Unit: IP54
Net Weight	TBD
Gross Weight	TBD
Package Dimensions (W x D x H)	TBD
Certifications	CE: EN 60601-1-2:2015(V4.0), EN 60601-1:2006/A1:2013(V3.1) FCC: Part 18 Class B UL: ANSI/AAMI ES60601-1:2012 (V3.1) cUL: CAN/CSA-C22.2 No. 60601-1:2014 (V3.1)

ONYX-BE102R

10.1" Fanless Android Bedside Infotainment Touch Terminal



Features

- Rockchip RK3288 Processor
- Android 6.0
- 10.1" Wide Color TFT LCD Touch Terminal
- PCT with Multi-Touch support
- Intuitive Front Access Function Keys
- IP65 Waterproof in front
- Optional VOIP Phone, Webcam and RFID
- EN 60601-1, UL 60601-1

Specifications

Main Specifications

Processor	Rockchip RK3288 ARM Cortex A17 QC 1.6GHz
System Memory	DDR3L 2/4GB
Expansion Interface	Mini PCIe Slot x 1
Storage Disk Drive	16/64GB eMMC
Security	13.56MHz RFID Reader (optional)
Wireless Communication	802.11 ac + BT 4.1
Speaker	2W x2
Camera	5 Megapixels (Optional)
Function Key	Power, Speaker Volume Up/Down, LCD Brightness Up/Down
Power Requirement	DC 12V / Power over Ethernet
OS Support	Android 6.0

Display

Size / Type	10.1" LCD (16:9) Color TFT LCD
Max. Resolution	1280 x 800
Luminance(cd/m2)(TYP)	400 nits
Max. Colors	16.7 M
Viewing Angle	170°(H)/170°(V)
Contrast Ratio	800:1
Touch Screen	Projected Capacitive Touch

I/O

USB	USB 2.0 (Type-A) x2 , Micro USB (OTG) x1 (Optional)
Serial Port	RS-232 x1 (Optional)
Ethernet	Gigabit LAN x1 (Support Power over Ethernet)
Audio	Mic-in x1, Headphone-out x1
SD Card Slot	Micro SD x1 (Optional)
DC-In	DC-In Jack x1

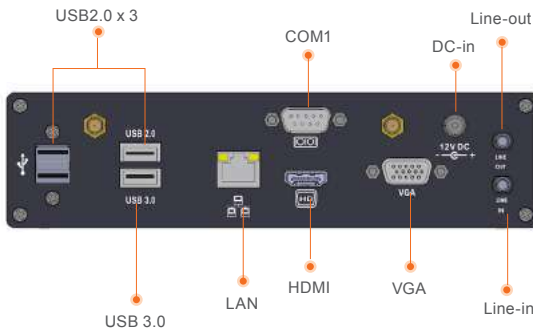
Mechanical and Environmental

Power Consumption	Anti-Bacteria (Optional)
Operating Temperature	0°C ~ 40°C(32°F ~ 104°F)
Storage Temperature	-20°C ~ 60°C(-4°F ~ 140°F)
Mounting	VESA 75/100 mm
Degree of Protection	Front Panel: IP65, Whole Unit: IP54
Net Weight	TBD
Gross Weight	TBD
Package Dimensions (W x D x H)	TBD
Certifications	CE: EN 60601-1-2:2015(V4.0), EN 60601-1:2006/A1:2013(V3.1) FCC: Part 18 Class B UL: ANSI/AAMI ES60601-1:2012 (V3.1) cUL: CAN/CSA-C22.2 No. 60601-1:2014 (V3.1)



MEDPC-2100

Fanless J1900 Quad Core Infotainment Box PC



Features

- Intel Bay Trail J1900 (Quad Core) 2GHz
- Multiple display output support
- Fanless easy clean design
- Mini Size

Application

- HIS, LIS, RIS
- Pharmaceutical industry
- Biotech Lab
- Signage in hospital
- Equipment control

Specifications

Main Specifications

Processor	Intel® Celeron J1900 (Quad Core) 2GHz
Video Chipset	Intel® HD Graphics
Display Memory	Shared Memory
System Memory	204-pin DDR3L support to 8GB
Expansion	1 x Half size Mini Card Slot ; 1 Mini card slot
System Storage	CFAST Cardx 1
OS Support	Windows 7, Windows 8.1, Windows 10, Linux

I/O

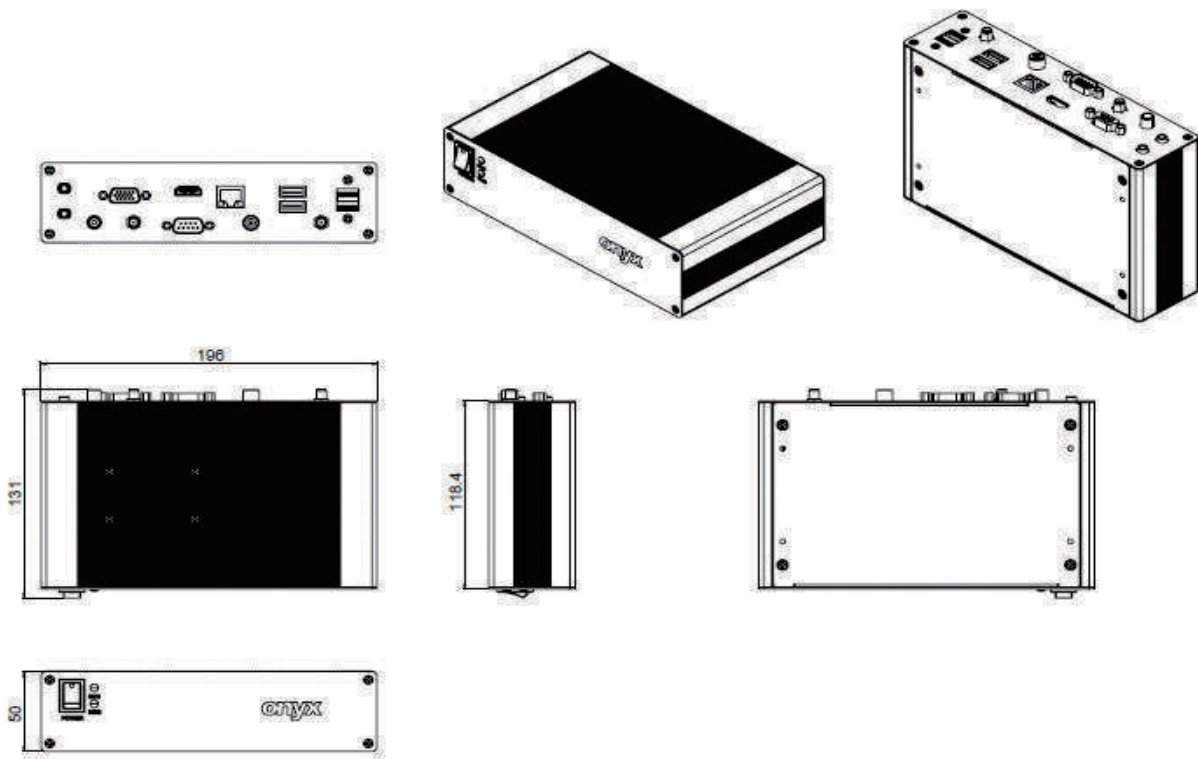
USB	USB 2.0 x 3, USB 3.0 x 1
COM Port	RS-232 1
Video Interface	VGA x 1, HDMI x 1
Power Jack	DC Power Input Connector
Ethernet	GbE LAN x 1 by RJ-45
SMA Connector	SMA Connector for WLAN antenna (removable) (optional)
Power Switch	1 Power switch button and 2 LED indicator (HDD, SYS) (Orange Red, Green)
Audio	Line out / Line-in

Mechanical and Environmental

Power Consumption	Full Loading: 38.453Watts
Power Requirement	DC 12V power input
Operating Temperature	0°C ~40°C(32°F ~104°F)
Storage Temperature	-20°C ~ 60°C(-4°F ~ 140°F)
Net Weight	1.2Kg (2.64lb)
Gross weight	2.4kg (5.28lb)
Package Dimension (W x D x H)	305 x 225 x 230 mm
Certifications	CE: EN 60601-1-2:2015(V4.0), EN 60601-1:2006/A1:2013/A12:2014 (V3.1) FCC: Part 18 Class B, Part 15 Class B, UL: ANSI/AAMI ES60601-1:2012 (V3.1) cUL: CAN/CSA-C22.2 No. 60601-1:2014 (V3.1)

Fanless J1900 Quad Core Infotainment Box PC

Dimension / Unit: mm



Ordering Information

» MEDPC-2100-A1-1010

Emb. Sys., J1900 2.42GHz, DC 12V, 2GB RAM, 1 LAN, 1 USB 3.0, 3 USB 2.0, 1 VGA, 1HDMI, 1 COM

Optional Accessories

» 1757306039

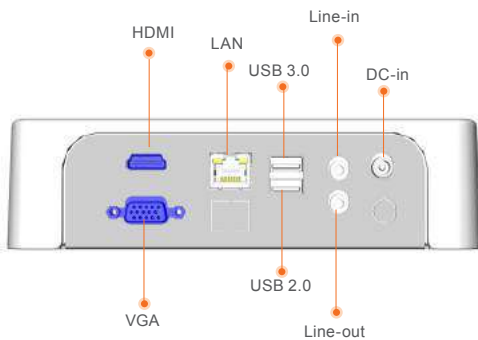
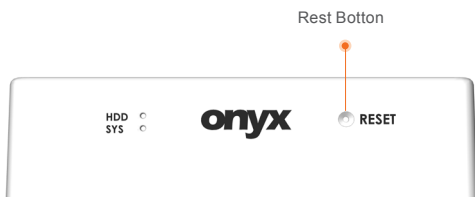
Medical Power Adaptor.100 ~ 240V.12V.5A.60W.DC.W/ Lock.Adapter.ATM065-P120

» OPM-C16W-A7

WLAN Kit.Atheros AR1111.802.11b/g/n+BT 4.0.Mini Card.dual white ext. antenna.for MEDPC-2100

MEDPC-1600

Fanless J1900 Quad Core Infotainment Box PC



Features

- Intel Bay Trail J1900 (Quad Core) 2GHz
- Multiple display output support
- Fanless easy clean design
- Mini Size

Application

- HIS, LIS, RIS
- Pharmaceutical industry
- Biotech Lab
- Signage in hospital
- Equipment control

Specifications

Main Specifications

Processor	Intel® Celeron J1900 (Quad Core) 2GHz
Video Chipset	Intel® HD Graphics
Display Memory	Shared Memory
System Memory	204-pin DDR3L support to 8GB
Expansion	1 x Half size Mini Card Slot ; 1 Mini card slot
System Storage	CFAST Cardx 1

I/O

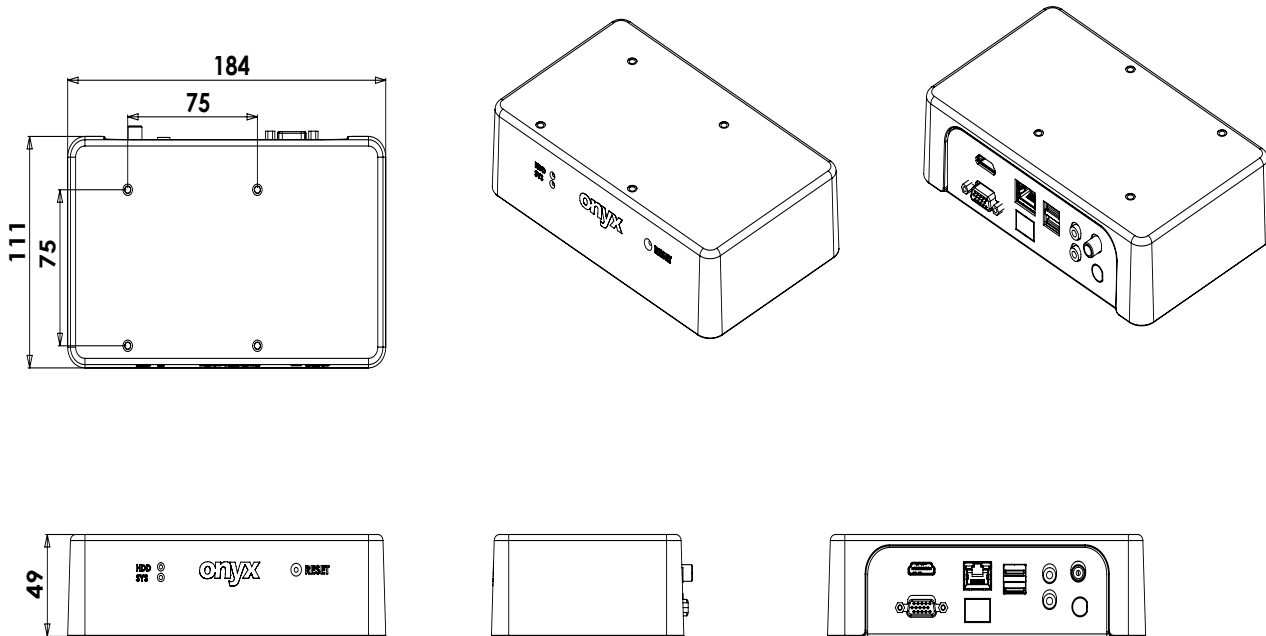
USB	USB 2.0 x 1, USB 3.0 x 1
Video Interface	VGA x 1, HDMI x 1
Power Jack	DC Power Input Connector
Ethernet	GbE LAN x 1 by RJ-45
SMA Connector	SMA Connector for WLAN antenna (removable) (optional)
Power Switch	Rest Button and 2 LED indicator (HDD, SYS) (Orange Red, Green)
Audio	Line out / Line-in

Mechanical and Environmental

Power Consumption	Full Loading: 38.453Watts
Power Requirement	DC 12V power input
Operating Temperature	0°C ~40°C(32°F ~104°F)
Storage Temperature	-20°C ~ 60°C(-4°F ~ 140°F)
Net Weight	1.2Kg (2.64lb)
Gross weight	2.4kg (5.28lb)
Package Dimension (W x D x H)	305 x 205 x 230 mm
Certifications	CE: EN 60601-1-2:2015(V4.0), EN 60601-1:2006/A1:2013/A12:2014 (V3.1) FCC: Part 18 Class B

Fanless J1900 Quad Core Infotainment Box PC

Dimension / Unit: mm



Ordering Information

» MEDPC-1600-A1-1010

Emb. Sys., J1900 2.42GHz, DC 12V, 2GB RAM, 1 LAN, 1 USB 3.0, 1 USB 2.0, 1 VGA, 1HDMI

Optional Accessories

» 1757306039

Medical Power Adaptor.100 ~ 240V.12V.5A.60W.DC.W/ Lock.Adapter.ATM065-P120

» OPM-C16W-A7

WLAN Kit.Atheros AR1111.802.11b/g/n+BT 4.0.Mini Card.dual white ext. antenna.for MEDPC-2100

Healthcare Infotainment Accessory Selection

OPM-H13A-A1

OPM-H14A-A1

Easi Wall Mount Swivel ARM



Features

- Built in "Gas Spring" for easy movement
- Cable management
- Anti-bacteria coating (optional)

Specifications

Main Specifications

	OPM-H13A-A1	OPM-H14A-A1
Feature	Long ARM	
Tile	20° up and 35° down (display) 20° up and 60° down (arm)	
Mounting Option	Wall Mount Type	
VESA	75/100mm	
Material	Aluminum alloy and plastic cover	
Pivot	180°, 370°, 270° (wall, arm, display)	
Extension	1907mm	
Capacity	1~6Kg (2.2~13.2lbs)	6~12kg (13.2~26.4lbs)

OPM-H15A-A1

OPM-H16A-A1

Easi Ceiling Mount Swivel ARM



Features

- Built in "Gas Spring" for easy movement
- Cable management
- Anti-bacteria coating (optional)

Specifications

Main Specifications

	OPM-H15A-A1	OPM-H16A-A1
Feature	Ceiling Mount	
Tile	20° up and 35° down (display) 20° up and 60° down (arm)	
Mounting Option	Cell Mount Type	
VESA	75/100mm	
Material	Aluminum alloy and plastic cover	
Pivot	270°, 370°, 270° (ceiling, arm, display)	
Extension	1927mm	
Capacity	1~6Kg	6~12kg

Mobile Cart Computer

Healthcare Infotainment Accessory Selection

OPM-H04A

Ergonomic Wall Mount Swivel ARM



Features

- Durable and easy to clean
- Double Gas springs assisted for high vertical movement
- Fully cable managed

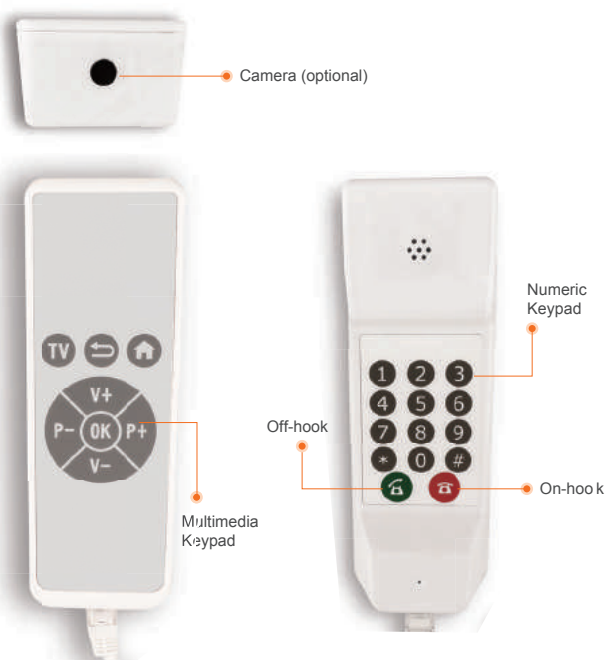
Specifications

Main Specifications

Feature	Long ARM
Tilt	20° up and 40° down
Mounting Option	Wall Mount Type
Material	Aluminum alloy and plastic cover
Arm swivel	180°
Overall reach	1700mm
Capacity	1~8Kg

OPM-T018

Smart VOIP Handset



Features

- Extend Onyx Bedside Services closed to the Patients
- Foil keyboard designed for easy cleaning and infection control
- Integrate the hall sensor for auto detection of on and off hook event
- Lockable socket designed for the lost prevention
- Sample code and API available for easy programming of
- key mapping for different field applications

Specifications

Main Specifications

Interface	USB 2.0 with RJ45 Socket
Connection Cable	41cm Curly Cable with RJ45 Plug
On-hook Key	x1
Off-hook Key	x1
Numeric Keypad	1, 2, 3, 4, 5, 6, 7, 8, 9, 0, *, #
Multimedia Keypad	Home, TV, Back, Channel Up, Channel Down, Volume Up, Volume Down, OK
Hall Sensor	x1
Loudspeaker	x1
Microphone	x1
Camera	2 Megapixels x1 (Optional)
Nurse Call Button	x1 (By Request)
Operating Temperature	0°C ~ 40°C(32°F ~ 104°F)
Storage Temperature	-20°C ~ 60°C(-4°F ~ 140°F)
Storage Humidity	10%~95%@35°C, non-condensing
Dimension	54.6(W) x 160(H) x 34.5(D) mm
Net Weight	Approx. 105g

※ All product specifications are subject to change without notice

Medical Display Series Solution

Worldwide Medical Safety Standard Approval

All display meets the strictest medical, safety and EMC emissions standards including CE/FCC Class B Passed 18, EN 60601-1:2006



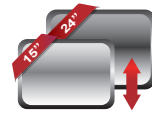
Key Features

- » » 15"~24" Medical Grade Display
- » » Touch function support
- » » Low power consumption with LED back light panel



✚ Small to Large LCD Display Choices

The Onyx slim display offers many LCD sizes to fulfill various requirements. 15" (1024 x768), 17" (1280x1024), 18.5" (1366x768), 19" (1280x1024), 21.5" (1920x1080), 22" (1920x1080), 24" (1920x1080)



✚ Frabjous Touch experience

RT touchscreen solution can also be operated with gloved fingers and bare fingers alike and PCT touchscreen solution enable users enjoy multi-touch function.



✚ Green and Low power consumption

LED(light emitting diodes) backlighting technology, which offer the advantages over CCFL LCDs of reduced power consumption, better contrast, brightness and color range.



✚ Long term product life time support

ONYX provides stable and long term support to our customers. Customers could focus on business promotion and product development.



✚ Flexibility for customization request to medical equipment

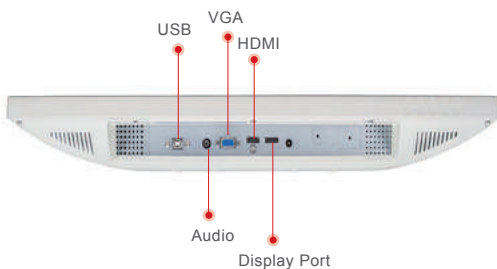
Still couldn't find the perfect match to your request? Don't worry about it. ONYX could base your demand to provide the best solution.



Medical Display Series Solution

ONYX-527

27" Slim Medical LCD Monitor



Features

- 27" LCD Panel with LED Backlight
- Compact and Terse Design
- VGA x 1, HDMI x 1, DP x1
- Wide view angle 178°(H)/178°(V)
- True Flat Screen with PCT Touch
- Invisible OSD Design
- Low Power Consumption

Specifications

Display

Size	27"
Resolution	Full HD 1920 x 1080
Max. Colors	16.7M
Brightness (Typ.)	300 nits
Viewing Angle (CR=10)(Typ.)	178°(H)/178°(V)
Contrast Ratio (Typ.)	3000:1
Touch Screen	Projective capacitive touch screen (optional)

System

OS Support	Windows® XP, Windows® 7, Windows® 10
DICOM Support	Optional

I/O

Audio	Audio-in x 1
Serial Port	USB x 1 for touch controller
Signal	VGA x 1, HDMI x 1, DP x 1
Speaker	2W speaker x 2 on back side

Mechanical and Environmental

Power Consumption	Full Loading :34.7Watts
Power Requirement	DC12V / 5A power input
Operating Temperature	5°C ~ 40°C(41°F ~ 104°F)
Storage Temperature	-10°C ~ 60°C(14°F ~ 140°F)
Storage Humidity	10%~90%@35°C, non-condensing
Gross Weight	10.4kg (14.11lb)
Net Weight	6.6kg (19lb)
Dimension	637.8 x 378.2 x 62.5 mm
Package Dimension (W x D x H)	730 x 300 x 560 mm

Certifications

CE: EN 60601-1-2:2007(V3.0) ,
EN 60601-1:2006/ A1:2013/A12:2014(V3.1)
FCC: Part 18 Class B, Part 15 Class B
IEC 60601-1: 2012 (V3.1)
UL: ANSI/AAMI ES60601-1:2005 (V3.0)
cUL: CAN/CSA-C22.2 No. 60601-1:2005 (V3.0)

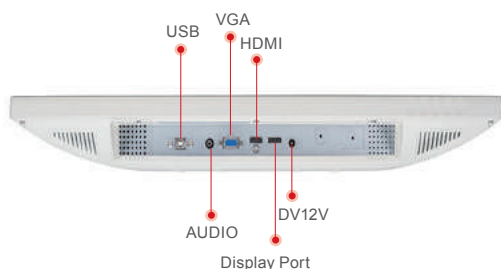
Ordering Information

- » ONYX-527DT-A1-1010
27" LCD Monitor, 350 nits, VGAx1.HDMIx1.DPx1, DC 12V Adapter
- » ONYX-527DTT-A1-1010
27" LCD Monitor, 350 nits, P-CAP Touch, VGAx1.HDMIx1.DPx1, DC 12V Adapter

Medical Display Series Solution

MEDDP-524

24" Slim Medical LCD Monitor



Features

- 24" LCD Panel with LED Backlight
- Compact and Terse Design
- VGA x 1, HDMI x 1, DP x1
- Wide view angle 178°(H)/178°(V)
- True Flat Screen with PCT Touch
- Invisible OSD Design
- Low Power Consumption

Specifications

Display

Size	24"
Resolution	Full HD 1920 x 1080
Max. Colors	16.7M
Brightness (Typ.)	300 nits
Viewing Angle (CR=10)(Typ.)	178°(H)/178°(V)
Contrast Ratio (Typ.)	5000:1
Touch Screen	Projective capacitive touch screen (optional)

System

OS Support	Windows®XP, Windows® 7, Windows® 10
DICOM Support	Optional

I/O

Audio	Audio-in x 1
Serial Port	USB x 1 for touch controller
Signal	VGA x 1, HDMI x 1, DP x 1
Speaker	2W speaker x 2 on back side

Mechanical and Environmental

Power Consumption	Full Loading :34.7Watts
Power Requirement	DC12V / 5A power input
Operating Temperature	5°C ~ 40°C(41°F ~ 104°F)
Storage Temperature	-10°C ~ 60°C(14°F ~ 140°F)
Storage Humidity	10%~90%@35°C, non-condensing
Gross Weight	8.6kg (19lb)
Net Weight	6.4kg (14.11lb)
Dimension	576 x 344.3 x 62.1 mm
Package Dimension (W x D x H)	645 x 545 x 295 mm
Certifications	CE: EN 60601-1-2:2007(V3.0) , EN 60601-1:2006/ A1:2013/A12:2014(V3.1) FCC: Part 18 Class B, Part 15 Class B IEC 60601-1: 2012 (V3.1) CCC

Ordering Information

- » **MEDDP-524HNN-A1-1010**
24" LCD Monitor, 300 nits, VGAx1.HDMIx1.DPx1, DC 12V Adapter
- » **MEDDP-524HPN-A1-1010**
24" LCD Monitor, 300 nits, P-CAP Touch, VGAx1.HDMIx1.DPx1, DC 12V Adapter
- » **MEDDP-524TND-A1-1010** (DICOM)
24" LCD Monitor, 300 nits, VGAx1.HDMIx1.DPx1, DC 12V Adapter, DICOM Function
- » **MEDDP-524TPD-A1-1010** (DICOM)
24" LCD Monitor, 300 nits, P-CAP Touch, VGAx1.HDMIx1.DPx1, DC 12V Adapter, DICOM Function

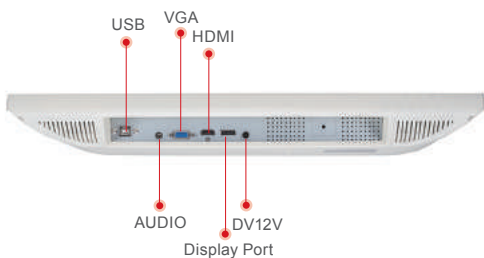
Medical Display Series Solution

MEDDP-522

22" Slim Medical LCD Monitor



CE FC



Features

- 21.5" LCD Panel with LED Backlight
- Compact and Terse Design
- Wide View Angle 178°(H)/178°(V)
- VGA x 1, HDMI x 1, DP x1
- True Flat Screen with PCT Touch
- Invisible OSD Design
- Low Power Consumption

Specifications

Display

Size	21.5"
Resolution	Full HD 1920 x 1080
Max. Colors	16.7M
Brightness (Typ.)	250 nits
Viewing Angle (CR=10)(Typ.)	178°(H)/178°(V)
Contrast Ratio (Typ.)	5000:1
Touch Screen	Projective capacitive touch screen (optional)

System

OS Support	Windows® XP, Windows® 7, Windows® 10
DICOM Support	Optional

I/O

Audio	Audio-in x 1
Serial Port	USB x 1 for touch controller
Signal	VGA x 1, HDMI x 1, DP x 1
Speaker	2W speaker x 2 on back side

Mechanical and Environmental

Power Consumption	Full Loading :28.2Watts
Power Requirement	DC12V / 5A power input
Operating Temperature	5°C ~ 40°C(41°F ~ 104°F)
Storage Temperature	-10°C ~ 60°C(14°F ~ 140°F)
Storage Humidity	10%~90%@35°C, non-condensing
Gross Weight	7.0kg (15.43lb)
Net Weight	5.7kg (12.57lb)
Dimension	527.3 x 348.5 x 55.1 mm
Package Dimension (W x D x H)	570 x 478 x 260 mm
Certifications	CE: EN 60601-1-2:2007(V3.0) , EN 60601-1:2006/ A1:2013/A12:2014(V3.1) FCC: Part 18 Class B, Part 15 Class B IEC 60601-1: 2012 (V3.1) CCC

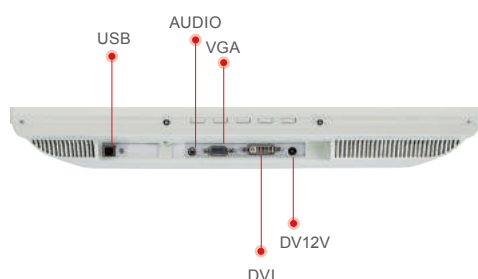
Ordering Information

- » **MEDDP-522HNN-A1-1010**
21.5" LCD Monitor, 250 nits, VGAx1.HDMIx1.DPx1, DC 12V Adapter
- » **MEDDP-522HPN-A1-1010**
21.5" LCD Monitor, 250 nits, P-CAP Touch, VGAx1.HDMIx1.DPx1, DC 12V Adapter
- » **MEDDP-522TND-A1-1010 (DICOM)**
21.5" LCD Monitor, 250 nits, VGAx1.HDMIx1.DPx1, DC 12V Adapter, DICOM Function
- » **MEDDP-522TPD-A1-1010 (DICOM)**
21.5" LCD Monitor, 250 nits, P-CAP Touch, VGAx1.HDMIx1.DPx1, DC 12V Adapter, DICOM Function

Medical Display Series Solution

MEDDP-519

19" Slim Medical LCD Monitor



Features

- 19" LCD Panel with LED Backlight
- Compact and Terse Design
- VGA x 1, DVI x1
- 5 wire resistive touch screen
- Low Power Consumption

Specifications

Display

Size	19"
Resolution	1280 x 1024
Max. Colors	16.7M
Brightness (Typ.)	350 nits
Viewing Angle (CR=10)(Typ.)	170°(H)/160°(V)
Contrast Ratio (Typ.)	1000:1
Touch Screen	5 wire resistive touch screen (optional)

System

OS Support	Windows®XP, Windows® 7, Windows® 10
DICOM Support	Optional

I/O

Audio	Audio-in x 1
Serial Port	USB x 1 for touch controller
Signal	VGA x 1, DVI x 1
Speaker	1W speaker x 1 on back side

Mechanical and Environmental

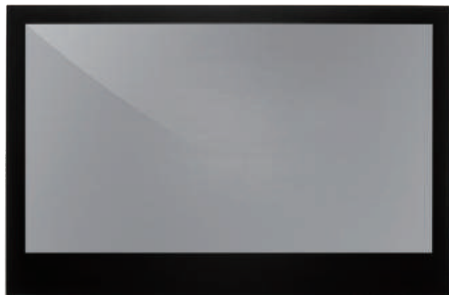
Power Consumption	Full Loading :35.5Watts
Power Requirement	DC12V / 5A power input
Operating Temperature	5°C ~ 40°C(41°F ~ 104°F)
Storage Temperature	-10°C ~ 60°C(14°F ~ 140°F)
Storage Humidity	10%~90%@35°C, non-condensing
Gross Weight	5.8kg (12.79lb)
Net Weight	4.9kg (10.8lb)
Dimension	421.1 x 350.5 x 48.1 mm
Package Dimension (W x D x H)	490 x 500 x 155 mm
Certifications	CE: EN 60601-1-2:2007(V3.0) , EN 60601-1:2006/ A1:2013/A12:2014(V3.1) FCC: Part 18 Class B, Part 15 Class B IEC 60601-1: 2012 (V3.1)

Ordering Information

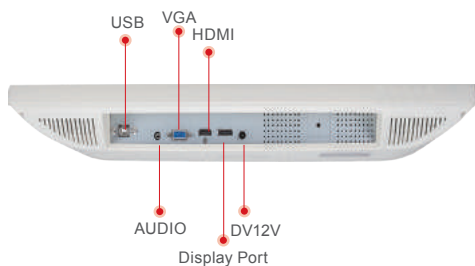
- » **MEDDP-519ANN-A1-1010**
19" LCD Monitor, 350 nits,VGAx1,DVI x1, DC 12V Adapter
- » **MEDDP-519ARN-A1-1010**
19" LCD Monitor, 350 nits, Resistive Touch, VGAx1,DVI x1,DC 12V Adapter
- » **MEDDP-519TND-A1-1010** (DICOM)
19" LCD Monitor, 350 nits, VGAx1.HDMIx1.DPx1, DC 12V Adapter, DICOM Function
- » **MEDDP-519TRD-A1-1010** (DICOM)
19" LCD Monitor, 350 nits, Resistive Touch VGAx1.HDMIx1.DPx1, DC 12V Adapter, DICOM Function

MEDDP-518

18.5" Slim Medical LCD Monitor



CE FC



Features

- 18.5" LCD Panel with LED Backlight
- Compact and Terse Design
- VGA x 1, HDMI x 1, DP x 1
- True Flat Screen with PCT Touch
- Invisible OSD Design
- Low Power Consumption

Specifications

Display

Size	18.5"
Resolution	1366 x 768
Max. Colors	16.7M
Brightness (Typ.)	400 nits
Viewing Angle (CR=10)(Typ.)	170°(H)/160°(V)
Contrast Ratio (Typ.)	1000:1
Touch Screen	Projective capacitive touch screen (optional)

System

OS Support	Windows® XP, Windows® 7, Windows® 10
DICOM Support	Optional

I/O

Audio	Audio-in x 1
Serial Port	USB x 1 for touch controller
Signal	VGA x 1, HDMI x 1, DP x 1
Speaker	2W speaker x 2 on back side

Mechanical and Environmental

Power Consumption	Full Loading :18Watts
Power Requirement	DC12V / 5A power input
Operating Temperature	5°C ~ 40°C(41°F ~ 104°F)
Storage Temperature	-10°C ~ 60°C(14°F ~ 140°F)
Storage Humidity	10%~90%@35°C, non-condensing
Gross Weight	5.5kg (12.13lb)
Net Weight	4.5kg (9.92lb)
Dimension	453.1 x 283.7 x 51.9 mm
Package Dimension (W x D x H)	500 x 450 x 260 mm
Certifications	CE: EN 60601-1-2:2007(V3.0), EN 60601-1:2006/ A1:2013/A12:2014(V3.1) FCC: Part 18 Class B, Part 15 Class B IEC 60601-1: 2012 (V3.1) CCC

Ordering Information

- » **MEDDP-518HNN-A1-1010**
18.5" LCD Monitor, 400 nits, VGAx1.HDMIx1.DPx1, DC 12V Adapter
- » **MEDDP-518HPN-A1-1010**
18.5" LCD Monitor, 400 nits, P-CAP Touch, VGAx1.HDMIx1.DPx1, DC 12V Adapter
- » **MEDDP-518TND-A1-1010 (DICOM)**
18.5" LCD Monitor, 400 nits, VGAx1.HDMIx1.DPx1, DC 12V Adapter, DICOM Function
- » **MEDDP-518TPD-A1-1010 (DICOM)**
18.5" LCD Monitor, 400 nits, P-CAP Touch, VGAx1.HDMIx1.DPx1, DC 12V Adapter, DICOM Function

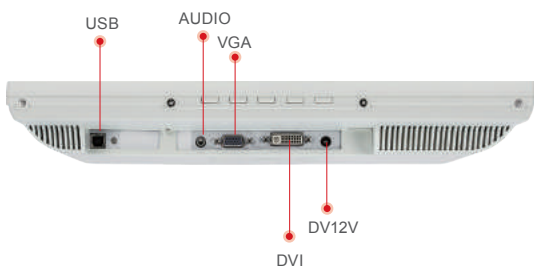
Medical Display Series Solution

MEDDP-517

17" Slim Medical LCD Monitor



CE FC

**Features**

- 17" LCD Panel with LED Backlight
- Compact and Terse Design
- View Angle 170°(H)/160°(V)
- VGA x 1, DVI x1
- 5 wire resistive touch screen
- Low Power Consumption

Specifications**Display**

Size	17"
Resolution	1280 x 1024
Max. Colors	16.2M
Brightness (Typ.)	350nits
Viewing Angle (CR=10)(Typ.)	170°(H)/160°(V)
Contrast Ratio (Typ.)	1000:1
Touch Screen	5 wire resistive touch screen (optional)

System

OS Support	Windows® XP, Windows® 7, Windows® 10
DICOM Support	Optional

I/O

Audio	Audio-in x 1
Serial Port	USB x 1 for touch controller
Signal	VGA x 1, DVI x 1
Speaker	1W speaker x 1 on back side

Mechanical and Environmental

Power Consumption	Full Loading :31Watts
Power Requirement	DC12V / 5A power input
Operating Temperature	5°C ~ 40°C(41°F ~ 104°F)
Storage Temperature	-10°C ~ 60°C(14°F ~ 140°F)
Storage Humidity	10%~90%@35°C, non-condensing
Gross Weight	4.9kg (10.8lb)
Net Weight	4.0kg (8.82lb)
Dimension	378 x 317.5 x 48.6 mm
Package Dimension (W x D x H)	435 x 450 x 150mm
Certifications	CE: EN 60601-1-2:2007(V3.0) , EN 60601-1:2006/A1:2013/A12:2014(V3.1) FCC: Part 18 Class B, Part 15 Class B IEC 60601-1: 2012 (V3.1)

Ordering Information

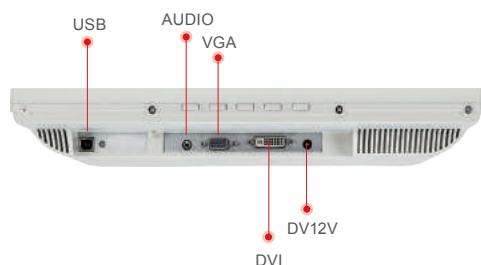
- » **MEDDP-517ANN-A1-1010**
17" LCD Monitor, 350 nits,VGAx1,DVI x1,DC 12V Adapter
- » **MEDDP-517ARN-A1-1010**
17" LCD Monitor, 350 nits, Resistive Touch,VGAx1,DVI x1,DC 12V Adapter
- » **MEDDP-517TND-A1-1010 (DICOM)**
17" LCD Monitor, 350 nits, VGAx1.HDMIx1.DPx1, DC 12V Adapter, DICOM Function
- » **MEDDP-517TRD-A1-1010 (DICOM)**
17" LCD Monitor, 350 nits, Resistive Touch VGAx1.HDMIx1.DPx1, DC 12V Adapter, DICOM Function

MEDDP-515

15" Slim Medical LCD Monitor



CE FC



Features

- 15" LCD Panel with LED Backlight
- Compact and Terse Design
- Wide View Angle 160°(H)/150°(V)
- VGA x 1, DVI x1
- 5 wire resistive touch screen
- Low Power Consumption

Specifications

Display

Size	15"
Resolution	1024 x 768
Max. Colors	16.2M
Brightness (Typ.)	450 nits
Viewing Angle (CR=10)(Typ.)	160°(H)/150°(V)
Contrast Ratio (Typ.)	800:1
Touch Screen	5 wire resistive touch screen (optional)

System

OS Support	Windows® XP, Windows® 7, Windows® 10
DICOM Support	Optional

I/O

Audio	Audio-in x 1
Serial Port	USB x 1 for touch controller
Signal	VGA x 1, DVI x 1
Speaker	1W speaker x 1 on back side

Mechanical and Environmental

Power Consumption	Full Loading :22.8Watts
Power Requirement	DC12V / 5A power input
Operating Temperature	5°C ~ 40°C(41°F ~ 104°F)
Storage Temperature	-10°C ~ 60°C(14°F ~ 140°F)
Storage Humidity	10%~90%@35°C, non-condensing
Gross Weight	4.0kg (8.82lb)
Net Weight	3.2kg (7.05lb)
Dimension	347 x 276 x 45.2 mm
Package Dimension (W x D x H)	410 x 420 x 140mm

Certifications

CE: EN 60601-1-2:2007(V3.0) ,
EN 60601-1:2006/A1:2013/A12:2014(V3.1)
FCC: Part 18 Class B, Part 15 Class B
IEC 60601-1: 2012 (V3.1)
CCC

Ordering Information

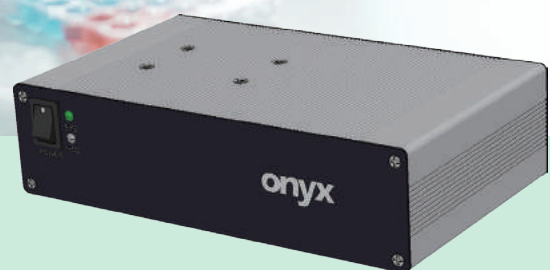
- » **MEDDP-515ANN-A1-1010**
15" LCD Monitor, 350 nits, VGAX1,DVI x1, DC 12V Adapter
- » **MEDDP-515ARN-A1-1010**
15" LCD Monitor, 350 nits, Resistive Touch, VGAX1,DVI x1, DC 12V Adapter
- » **MEDDP-515TND-A1-1010 (DICOM)**
15" LCD Monitor, 350 nits, VGAX1.HDMIx1.DPx1, DC 12V Adapter, DICOM Function
- » **MEDDP-515TRD-A1-1010 (DICOM)**
15" LCD Monitor, 350 nits, Resistive Touch, VGAX1.HDMIx1.DPx1, DC 12V Adapter, DICOM Function



MEDPC Series

Dependable, Ready to Use Platform for Medical Equipment & OEM/ODM

MEDPC series is designed to achieve the high requirements of Hospital IT field and medical task that a hospital has. Its fanless design ensures that it will be quiet, and stop infection spreading from hiding in the fan. It has wide selections of up-to-date upgrades, and it has 5-7 lifecycle. Best of all, this Medical Grade Computer is already medical certified just like all of our products.



Key Features

- » » Medical certification with high performance CPU
- » » Fanless design and no bacterial infection concern
- » » Flexible function extension ability
- » » Different options for different purpose

+ Ready-to-use Medical Certified Platform

MEDPC is certified with EN 60601-1, UL 60601-1, FCC & CE Class B regulation. Detailed ISO 13485 and 14971 Risk Management Control guarantee product quality.



+ Latest/Current Off-the-shelf Processor

From Intel® Quad Core i7, to Atom™ series, you can choose the best processor for the system. No matter for imaging capturing, data analyzing, photo viewing, or just EMR storage, you can always find right chipset.



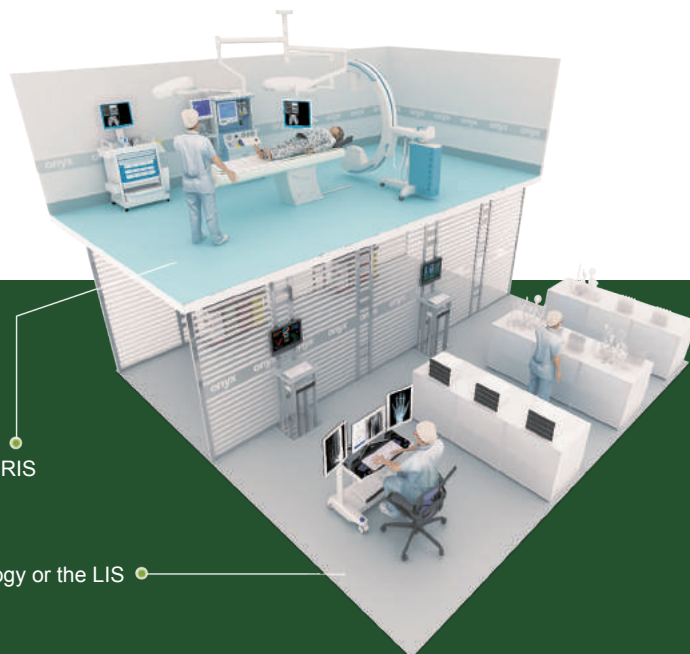
+ Unique Medical Device Functions

MedPC products with IP-X1 enclosure are easy to clean with detergent and water splitting proof. Isolated IO interfaces like Ethernet, COM and USB let system connect to other medical device or accessories risk free.



+ 5-7 Year Longevity Lifecycle Support

Your time and efforts can now focus on business promotions and product development. A careful design and vendor approval approach as well as scheduled reviews, minimizes unwelcome surprises during the product life cycle.



RIS

Biotechnology or the LIS



Biotechnology / Lab



His / NIS



RIS

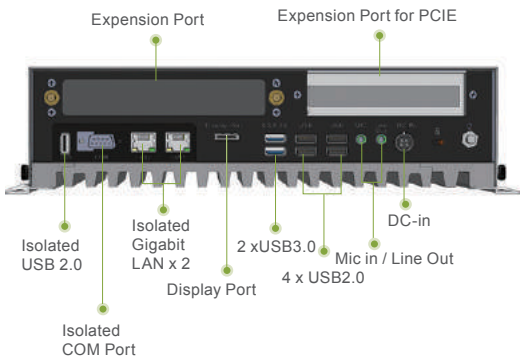


Pharmaceutical

MEDPC Series for Medical Equipment & OEM/ODM

MEDPC-5800

Fanless Medical Grade Box PC with Dual Core i7 Processor



Features

- Intel® Dual Core i7 Processor
- Multiple display output support versatile dual display function (optional)
- Easy clean design (fanless / no airhole)
- Top cover with IPX1 water proof protection
- PCI Express [*16], Mini Card *2
- High Speed USB3.0 Ports
- Isolated I/O interface(COM, USB, LAN)

Application

- HIS, LIS, RIS
- Pharmaceutical industry
- Biotech Lab
- Signage in hospital
- Equipment control

Specifications

Main Specifications

Processor	Intel® Dual Core i7-3555LE Dual Core up to 3.1GHz Intel® Dual Core i3-3217UE Dual Core 1.6GHz Intel® Celeron 847E Dual Core 1.1GHz
System Memory	Supports Dual Channel DDR3 SODIMM up to 16GB
Chipset	Intel® QM77
OS Support	Windows® 7, Windows® 8, Windows®10, Linux®
Remote Management	Intel® Active Management Technology
Expansion Interface	PCI Express[1 x16] x 1(optional) , Mini Card x 2
Storage Disk Drive	2.5" SATA (SSD only)
Wireless Communication	802.11b/g/n (optional), Bluetooth 3.0HS & 4.0 (optional)
Power Requirement	DC12 ~ 24V

I/O

USB	4KV Isolated USB2.0 x 1, USB 2.0 x 4, USB 3.0 x 2
Serial Port	4KV Isolated RS-232 x 1
Ethernet	4KV Isolated Gigabit LAN x 2
Serial Port	Display Port x 1, Support resolution up to 2560 x 1600
Audio	Mic-in, Line-out

Mechanical and Environmental

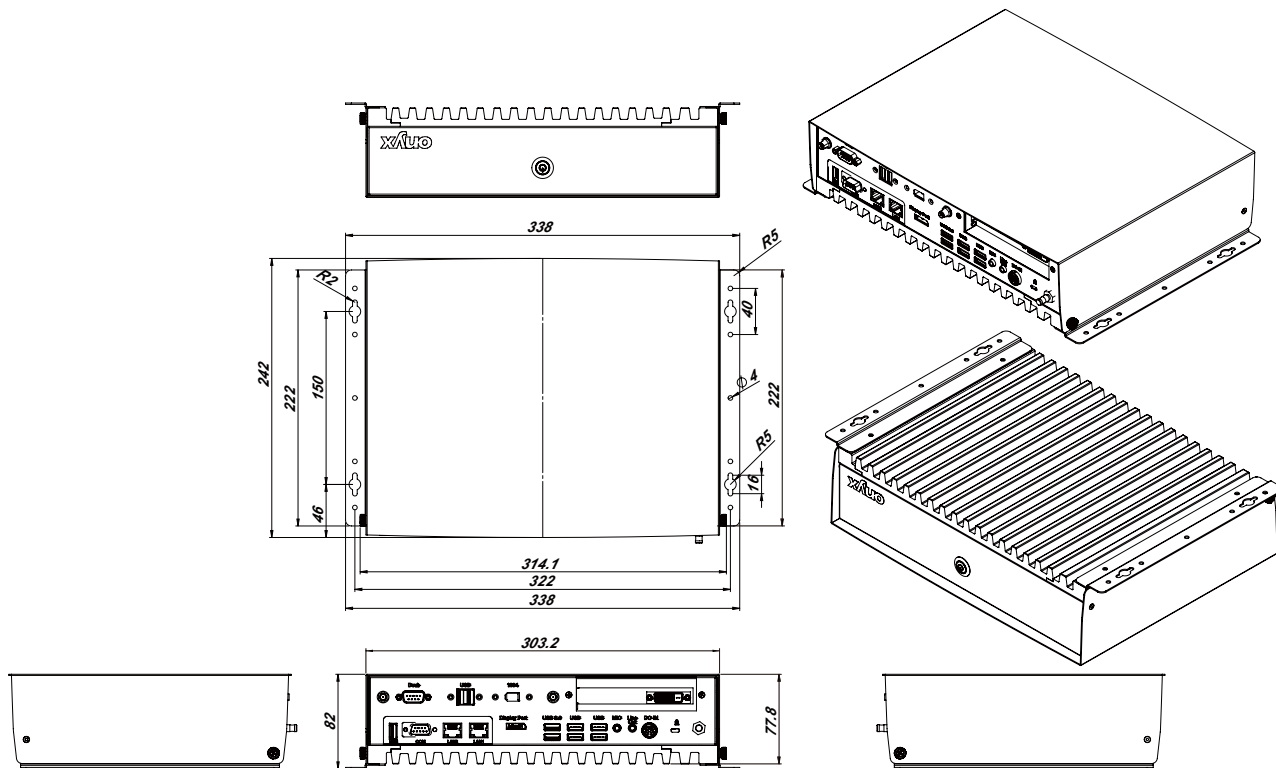
Power Consumption	Full loading: 71.10Watts
Power Requirement	Full loading: 60Watts
Operating Temperature	0°C ~ 30°C(32°F ~ 86°F)
Storage Temperature	-20°C ~ 60°C(-4°F ~ 140°F)
Net Weight	5.2kg (11.46lb)
Gross weight	6.7kg (14.77lb)
Dimension	338 x 242 x 82 mm
Package Dimension (W x D x H)	400 x 210 x 410 mm

Certifications

CE: EN 60601-1-2:2007(V3.0) ,
EN 60601-1:2006/A11:2011(V3.0)
FCC: Part 18 Class B, Part 15 Class B
UL: ANSI/AAMI ES60601-1:2005 (V3.0)
cUL: CAN/CSA-C22.2 No. 60601-1:2014 (V3.0)

Fanless Medical Grade Box PC with Dual Core i7 Processor

Dimension / Unit: mm



Ordering Information

- | | |
|--|--|
| » MEDPC-5800-A1-1010
MedPC.Intel i7-3555LE.Fanless. DC12~24V.4GB RAM | » MEDPC-5800-A2-1010
MedPC.Intel i7-3555LE.Fanless. DC12~24V.8GB RAM |
| » MEDPC-5800-A1-1020
MedPC.Intel i3-3217UE.Fanless. DC12~24V.4GB RAM | » MEDPC-5800-A2-1020
MedPC.Intel i3-3217UE.Fanless. DC12~24V.8GB RAM |
| » MEDPC-5800-A1-1030
MedPC.Intel Celeron 487E.Fanless. DC12~24V.4GB RAM | » MEDPC-5800-A2-1030
MedPC.Intel Celeron 487E.Fanless. DC12~24V.8GB RAM |

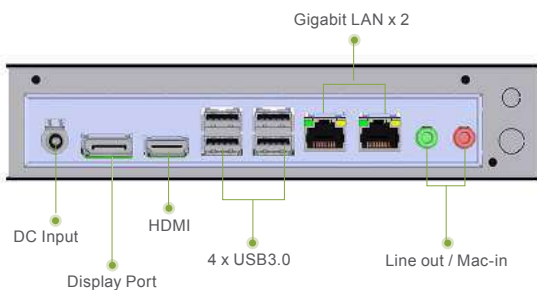
Optional Accessories

- | | |
|---|---|
| » 1757213000
Medical Power Adapter, 130W, 24V | » OPM-V00T-A5
Displayport for MEDPC-5800 |
| » OPM-C16W-A1
WLAN Kit.802.11a/b/g/n w/BT 4.0.Mini Card.dual white ext. antenna.Atheros AR5B22 | |
| » OPM-V00T-A1
1 VGA, 1 DP, 1 Firewire kit for MEDPC-5800 | |
| » OPM-V00T-A2
1DP, 1 port 1394A, 2 port 1394B Kit for MEDPC-5800 | |
| » OPM-V00T-A3
2 com, 2 USB 2.0 kit for MEDPC-5800 | |
| » OPM-V00T-A4
PCIE riser card kit for MEDPC-5800 | |

MEDPC Series for Medical Equipment & OEM/ODM

MEDPC-5700

High Performance Medical Grade Box PC with Intel® 4th Generation Core™ i Series



Features

- Intel® 4th Generation Quad Core i7 /i5/ i3 Processor
- Intel® Q87 Chipset
- Supports Dual Channel DDR3 SODIMM up to 16GB
- High Speed USB 3.0 Ports
- +12V to +24V Wide Range DC Input

Application

- HIS, LIS, RIS
- Pharmaceutical industry
- Biotech Lab
- Signage in hospital
- Equipment control

Specifications

Main Specifications

Processor	Intel® 4th Generation Quad Core i7 /i5/ i3 Processor
System Memory	Supports Dual Channel DDR3 SODIMM up to 16GB
Chipset	Intel® Q87
OS Support	Windows® 7, Windows® 8, Windows® 10, Linux® (optional)
Storage Disk Drive	2.5" SATA SSD Drive bay x 1 support SATA(3Gb/s)(optional)

I/O

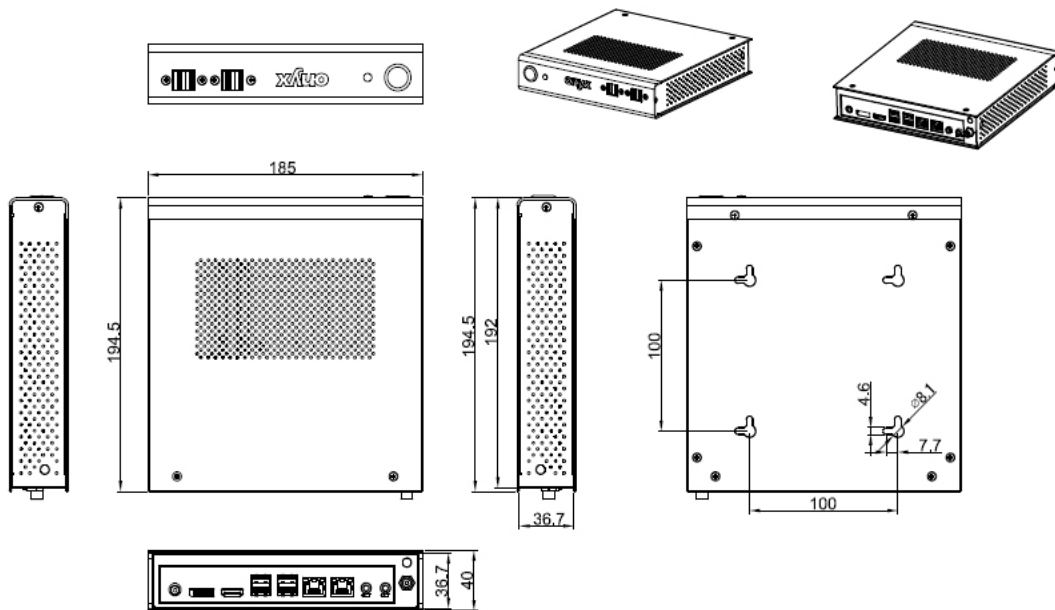
USB	USB 3.0 x 4 , USB 2.0 x 4
Ethernet	Gigabit LAN x 2
Video Out	Display Port x 1, HDMI x 1
Audio	Mic-in, Line-out

Mechanical and Environmental

Power Requirement	DC12V~24V power input
Operating Temperature	0°C ~ 40°C(32°F ~ 104°F)
Storage Temperature	-20°C ~ 60°C(-4°F ~ 140°F)
Net Weight	1.5kg (3.3lb)
Gross weight	2.9kg (6.4lb)
Dimension	185 x 194 x 40 mm
Package Dimension (W x D x H)	255 x 160 x 275 mm
Certifications	CE: EN 60601-1-2:2015(V4.0), EN 60601-1:2006/A1:2013/A12:2014 (V3.1) FCC: Part 18 Class B, Part 15 Class B, UL: ANSI/AAMI ES60601-1:2012 (V3.1) cUL: CAN/CSA-C22.2 No. 60601-1:2014 (V3.1)

High Performance Medical Grade Box PC with Intel® 4th Generation Core™ i Series

Dimension / Unit: mm



Ordering Information

- » MEDPC-5700-A1-1010
Emb. Sys., i7-4770TE , DC 12V~24V, 4GB RAM, 1HDMI, 2LAN, 4USB 3.0
- » MEDPC-5700-A1-1020
Emb. Sys., i5-4590TE , DC 12V~24V, 4GB RAM, 1HDMI, 2LAN, 4USB 3.0
- » MEDPC-5700-A1-1030
Emb. Sys., i3-4330TE , DC 12V~24V, 4GB RAM, 1HDMI, 2LAN, 4USB 3.0

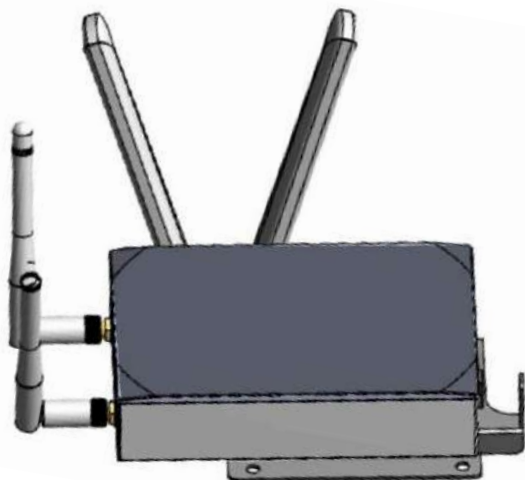
Optional Accessories

- » 1255301202
Power Adapter. AC/DC.100-240V.24V.5A.120W.W/ Lock

MEDPC Series for Medical Equipment & OEM/ODM

MEDPC-2700

Fanless Medical Grade Box PC with Intel Cherry Trail Process



Features

- Intel® Cherry Trail x5-Z8350 SoC
- Onboard DDR3L 2 GB memory
- Onboard 32GB eMMC storage
- 1x Gigabit LAN, 4x USB 2.0, 1x HDMI
- Optimized Fan-less Cooling Design
- 3G/4G LTE/LoRa available (Optional)

Application

- Pharmaceutical industry
- Biotech Lab
- Signage in hospital
- Equipment control
- Internet getaway

Specifications

Main Specifications

Processor	Intel® Cherry Trail x5-Z8350 SoC
System Memory	Onboard DDR3L 2GB SODIMM up to 4 GB
GPU	Intel® HD Graphics
OS Support	Android 6.0, Windows® 7, Windows® 8, Windows® 10, Linux® (optional)
Storage Disk Drive	Onboard eMMC storage up to 32 GB
Wireless Communication	IEEE 802.11 a/b/g/n. BT 4.0
Power Requirement	5V DC-in

I/O

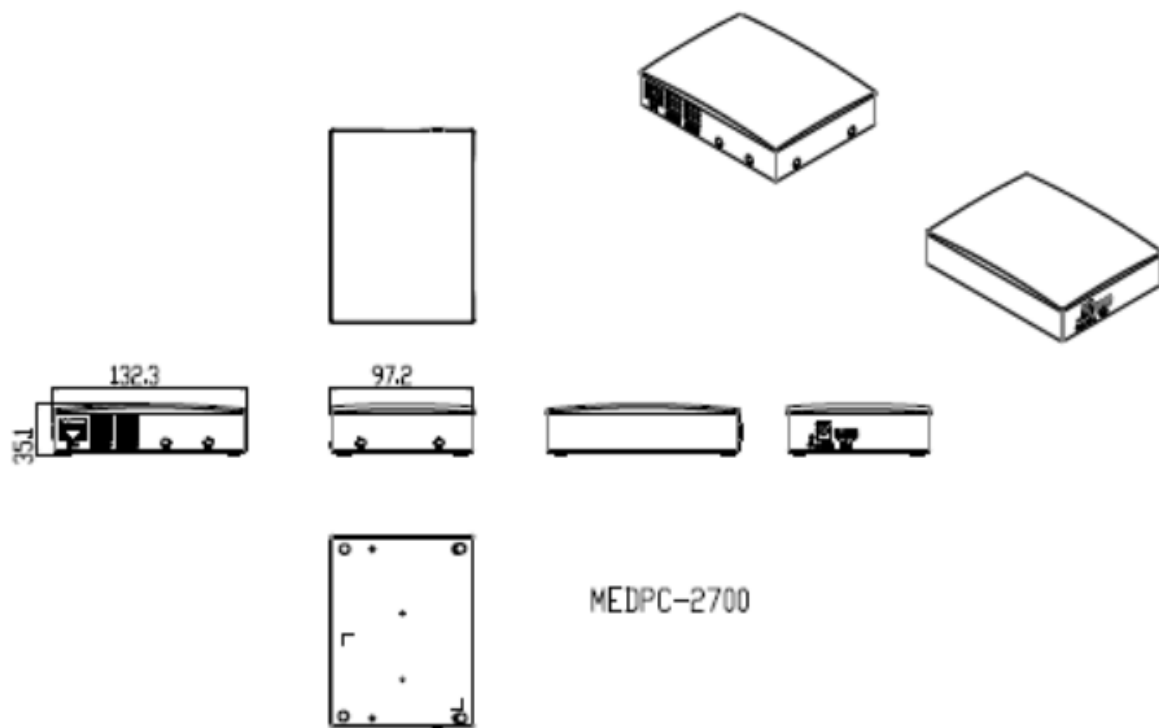
USB	4 x USB2.0 Type A,
Ethernet	1x RJ45 Gigabit LAN
Video	1 x HDMI 2.0,
Audio	N/A

Mechanical and Environmental

Operating Temperature	0°C ~ 30°C(32°F ~ 86°F)
Storage Temperature	-20°C ~ 60°C(-4°F ~ 140°F)
Dimension	131 x 97.8 x 32 mm
Certification	CE: EN 60601-1-2:2015(V4.0), EN 60601-1:2006/A1:2013/A12:2014 (V3.1) FCC: Part 18 Class B, Part 15 Class B, UL: ANSI/AAMI ES60601-1:2012 (V3.1) cUL: CAN/CSA-C22.2 No. 60601-1:2014 (V3.1)

Fanless Medical Grade Box PC with Intel Cherry Trail Process

Dimension / Unit: mm



Ordering Information

- » MEDPC-2700-A1-1010
MEDPC.Z8350.Fanless.DC5.2GB RAM.32GB EMMC. Android

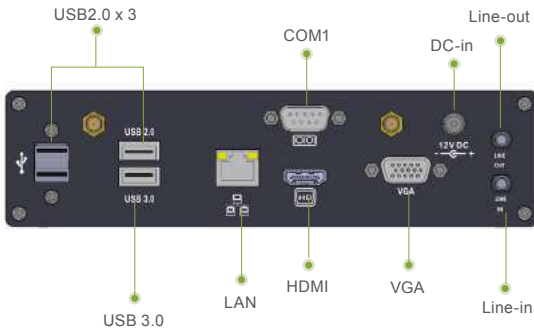
Optional Accessories

- » 1255300170
(AOH)(TF)Medical Power Adaptor.AC/DC.100 ~ 240V.5V.3.5A.17.5W.90D DC Plug.Adapter.ATM020-W050U(USA-Level VI)

MEDPC Series for Medical Equipment & OEM/ODM

MEDPC-2100

Ultra slim Intel Bay Trail SoC Embedded Platform for HIT



Features

- Intel Bay Trail J1900 (Quad Core) 2GHz
- Multiple display output support
- Fanless easy clean design
- Mini Size

Application

- HIS, LIS, RIS
- Pharmaceutical industry
- Biotech Lab
- Signage in hospital
- Equipment control

Specifications

Main Specifications

Processor	Intel® Celeron J1900 (Quad Core) 2GHz
Video Chipset	Intel® HD Graphics
Display Memory	Shared Memory
System Memory	204-pin DDR3L support to 8GB
Expansion	1 x Half size Mini Card Slot ; 1 Mini card slot
System Storage	CFAST Cardx 1
OS Support	Windows® 7, Windows® 8, Windows®10, Linux®

I/O

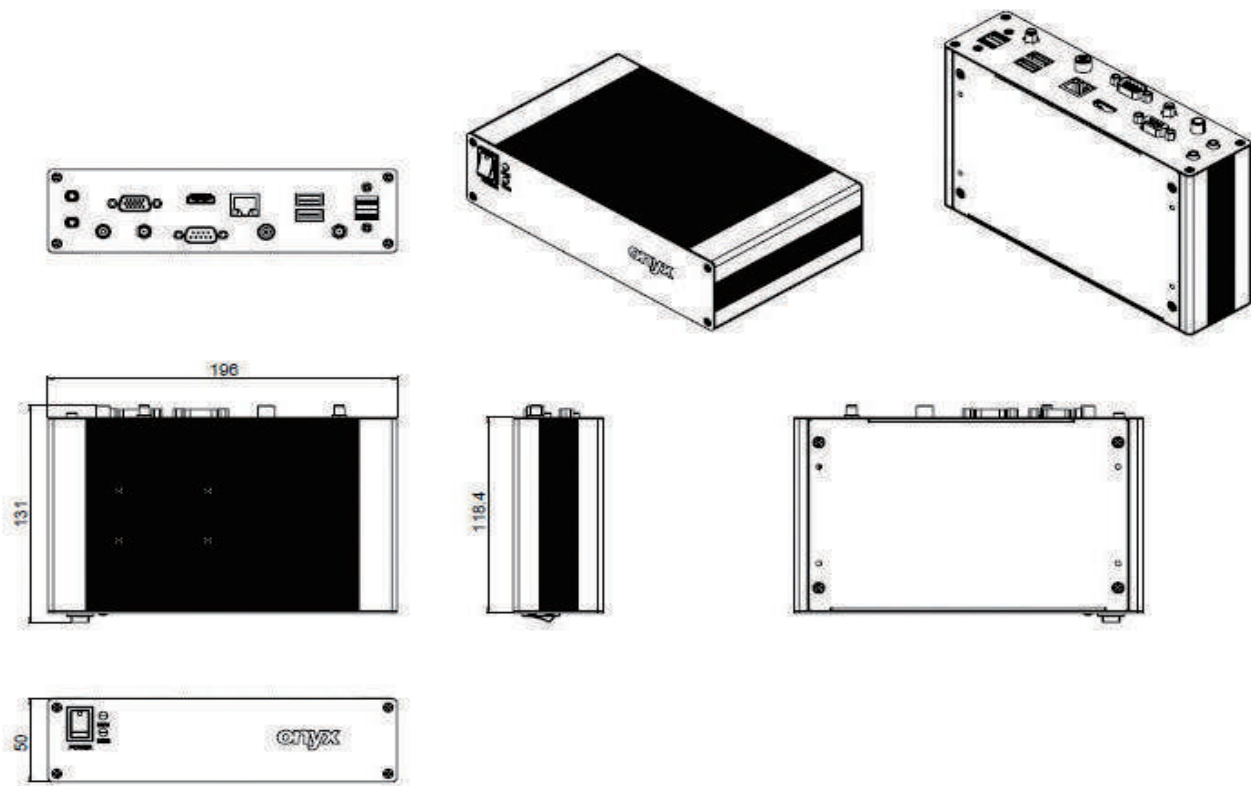
USB	USB 2.0 x 3, USB 3.0 x 1
COM Port	RS-232 x 1
Video Interface	VGA x 1, HDMI x 1
Power Jack	DC Power Input Connector
Ethernet	GbE LAN x 1 by RJ-45
SMA Connector	SMA Connector for WLAN antenna (removable) (optional)
Power Switch	1 Power switch botton and 2 LED indicator (HDD, SYS) (Orange Red, Green)
Audio	Line out / Line-in

Mechanical and Environmental

Power Consumption	Full Loading: 38.453Watts
Power Requirement	DC 12V power input
Operating Temperature	0°C ~40°C(32°F ~104°F)
Storage Temperature	-20°C ~ 60°C(-4°F ~ 140°F)
Net Weight	1.2Kg (2.64lb)
Gross weight	2.4kg (5.28lb)
Dimension	196 x 131 x 50 mm
Package Dimension (W x D x H)	305 x 225 x 230 mm
Certifications	CE: EN 60601-1-2:2015(V4.0), EN 60601-1:2006/A1:2013/A12:2014 (V3.1) FCC: Part 18 Class B, Part 15 Class B, UL: ANSI/AAMI ES60601-1:2012 (V3.1) cUL: CAN/CSA-C22.2 No. 60601-1:2014 (V3.1)

Ultra slim Intel Bay Trail SoC Embedded Platform for HIT

Dimension / Unit: mm



Ordering Information

» MEDPC-2100-A1-1010

Emb. Sys., J1900 2.42GHz, DC 12V, 2GB RAM, 1 LAN, 1 USB 3.0, 3 USB 2.0, 1 VGA, 1HDMI, 1 COM

Optional Accessories

» 1757306039

Medical Power Adaptor.100 ~ 240V.12V.5A.60W.DC.W/ Lock.Adapter.ATM065-P120(w/core)

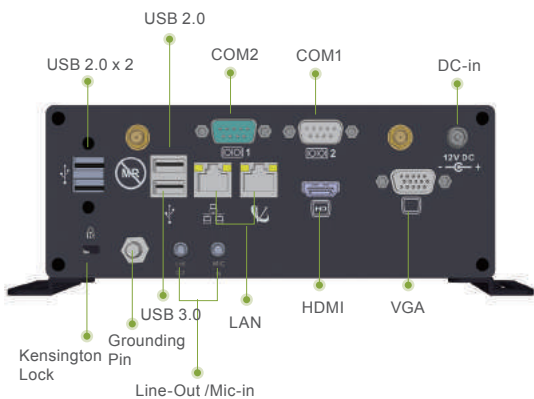
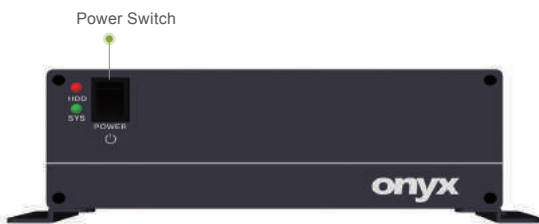
» OPM-C16W-A7

WLAN Kit.Atheros AR1111.802.11b/g/n+BT 4.0.Mini Card.dual white ext. antenna.for MEDPC-2100

MEDPC Series for Medical Equipment & OEM/ODM

MEDPC-2000

Intel Bay Trail SoC Embedded Platform for HIT



Features

- Intel Bay Trail J1900 (Quad Core) 2GHz
- Multiple display output support
- Fanless easy clean design
- Compact Size

Application

- HIS, LIS, RIS
- Pharmaceutical industry
- Biotech Lab
- Signage in hospital
- Equipment control

Specifications

Main Specifications

Processor	Intel® Celeron J1900 (Quad Core) 2GHz
Video Chipset	Intel® HD Graphics
Display Memory	Shared Memory
System Memory	204-pin DDR3L support to 8GB
Expansion	1 x Half size Mini Card Slot
System Storage	2.5" SATA HDD / SSD x 1
OS Support	Windows 7, Windows 10

I/O

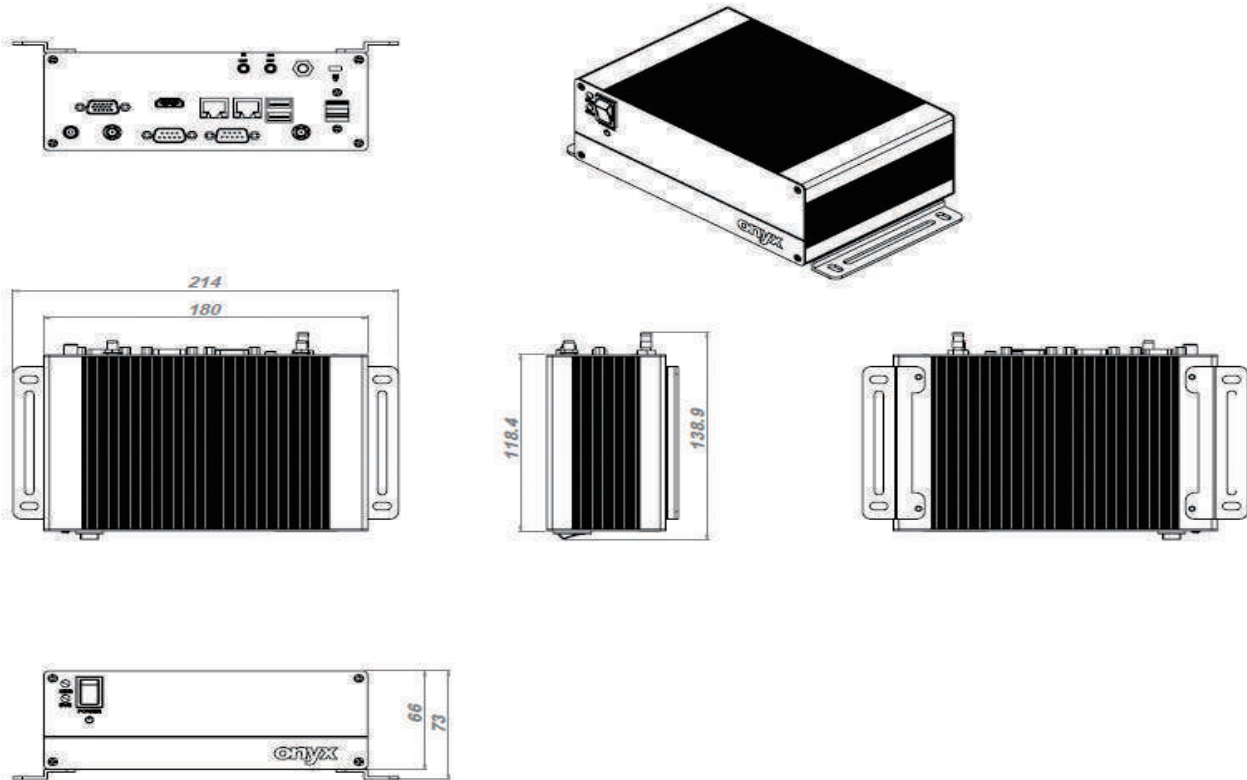
USB	USB 2.0 x 3, USB 3.0 x 1
COM Port	RS-232 x 2
Video Interface	VGA x 1, HDMI x 1
Ground Pin	Grounding PIN 42801(removable)
Power Jack	DC Power Input Connector
Kensington Lock Hole	1 Kensington Lock Hole
Ethernet	GbE LAN x 2 by RJ-45
SMA Connector	SMA Connector for WLAN antenna (removable) (optional)
Power Switch	1 Power switch button and 2 LED indicator (HDD, SYS) (Orange Red, Green)
Audio	Line out / Mic-in

Mechanical and Environmental

Power Consumption	Full Loading: 38.453Watts
Power Requirement	DC 12V power input
Operating Temperature	0°C ~40°C(32°F ~104°F)
Storage Temperature	-20°C ~ 60°C(-4°F ~ 140°F)
Net Weight	1.7Kg (3.75lb)
Gross weight	2.7kg (5.95lb)
Dimension	214 x 138.9 x 72 mm
Package Dimension (W x D x H)	305 x 205 x 230 mm
Certifications	CE: EN 60601-1-2:2015(V4.0), EN 60601-1:2006/ A1:2013/A12:2014 (V3.1) FCC: Part 18 Class B, Part 15 Class B, UL: ANSI/AAMI ES60601-1:2012 (V3.1) cUL: CAN/CSA-C22.2 No. 60601-1:2014 (V3.1)

Intel Bay Trail SoC Embedded Platform for HIT

Dimension / Unit: mm



Ordering Information

- » MEDPC-2000-A1-1010
Emb. Sys., J1900 2.42GHz, DC 12V, 2GB RAM, 2 LAN, 1 USB 3.0, 3 USB 2.0, 1 VGA, 1HDMI, 2 COM

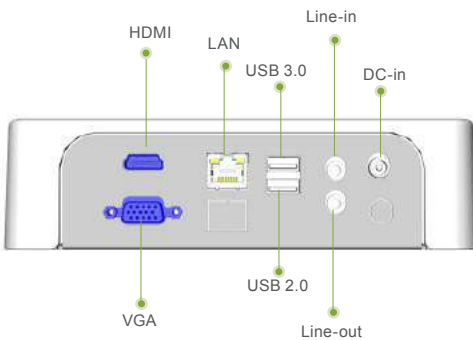
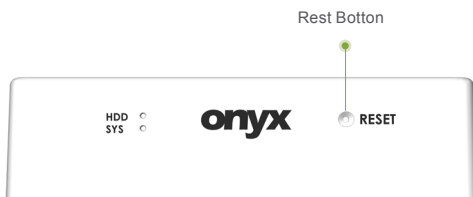
Optional Accessories

- » 1757306039
Medical Power Adaptor.100 ~ 240V.12V.5A.60W.DC.W/ Lock.Adapter.ATM065-P120(w/core)
- » OPM-C16W-A7
WLAN Kit.Atheros AR1111.802.11b/g/n+BT 4.0.Mini Card.dual white ext. antenna.for MEDPC-2000

MEDPC Series for Medical Equipment & OEM/ODM

MEDPC-1600

Intel Bay Trail SoC Embedded Platform for HIT



Features

- Intel Bay Trail J1900 (Quad Core) 2GHz
- Multiple display output support
- Fanless easy clean design
- Mini Size

Application

- HIS, LIS, RIS
- Pharmaceutical industry
- Biotech Lab
- Signage in hospital
- Equipment control

Specifications

Main Specifications

Processor	Intel® Celeron J1900 (Quad Core) 2GHz
Video Chipset	Intel® HD Graphics
Display Memory	Shared Memory
System Memory	204-pin DDR3L support to 8GB
Expansion	1 x Half size Mini Card Slot ; 1 Mini card slot
System Storage	CFAST Cardx 1

I/O

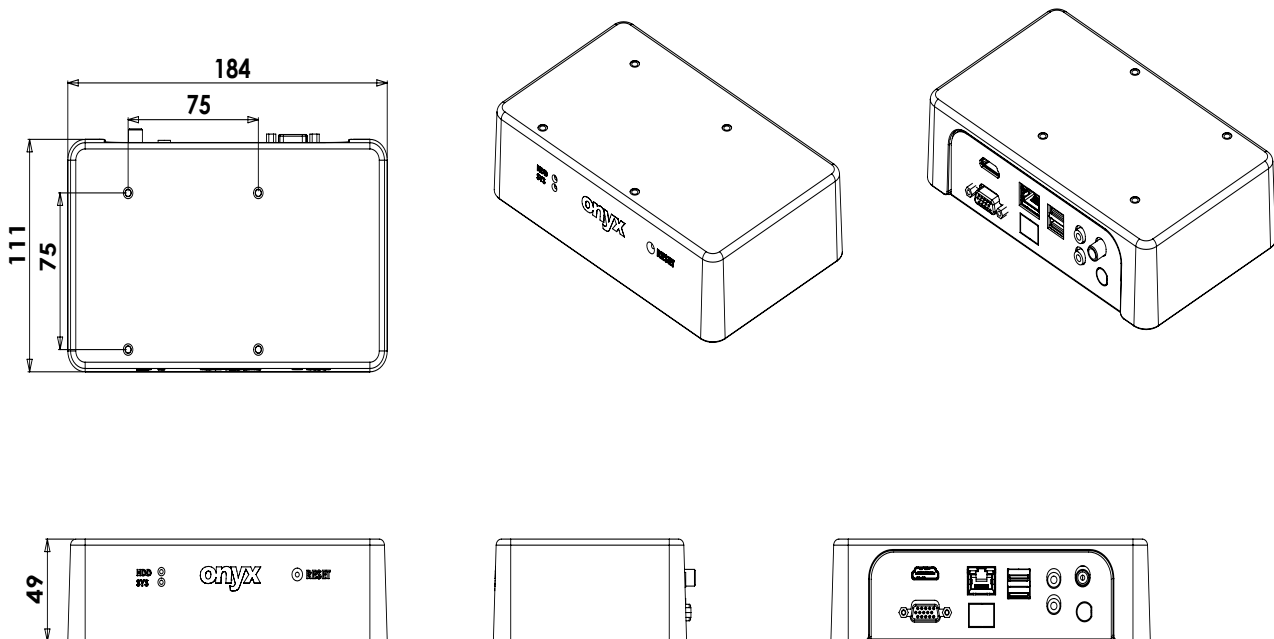
USB	USB 2.0 x 1, USB 3.0 x 1
Video Interface	VGA x 1, HDMI x 1
Power Jack	DC Power Input Connector
Ethernet	GbE LAN x 1 by RJ-45
SMA Connector	SMA Connector for WLAN antenna (removable) (optional)
Power Switch	Rest Button and 2 LED indicator (HDD, SYS) (Orange Red, Green)
Audio	Line out / Line-in

Mechanical and Environmental

Power Consumption	Full Loading: 38.453Watts
Power Requirement	DC 12V power input
Operating Temperature	0°C ~40°C(32°F ~104°F)
Storage Temperature	-20°C ~ 60°C(-4°F ~ 140°F)
Net Weight	1.2Kg (2.64lb)
Gross weight	2.4kg (5.28lb)
Dimension	184 x 111 x 49 mm
Package Dimension (W x D x H)	305 x 205 x 230 mm
Certifications	CE: EN 60601-1-2:2015(V4.0), EN 60601-1:2006/A1:2013/A12:2014 (V3.1) FCC: Part 18 Class B

Intel Bay Trail SoC Embedded Platform for HIT

Dimension / Unit: mm



Ordering Information

» MEDPC-1600-A1-1010

Emb. Sys., J1900 2.42GHz, DC 12V, 2GB RAM, 1 LAN, 1 USB 3.0, 1 USB 2.0, 1 VGA, 1HDMI

Optional Accessories

» 1757306039

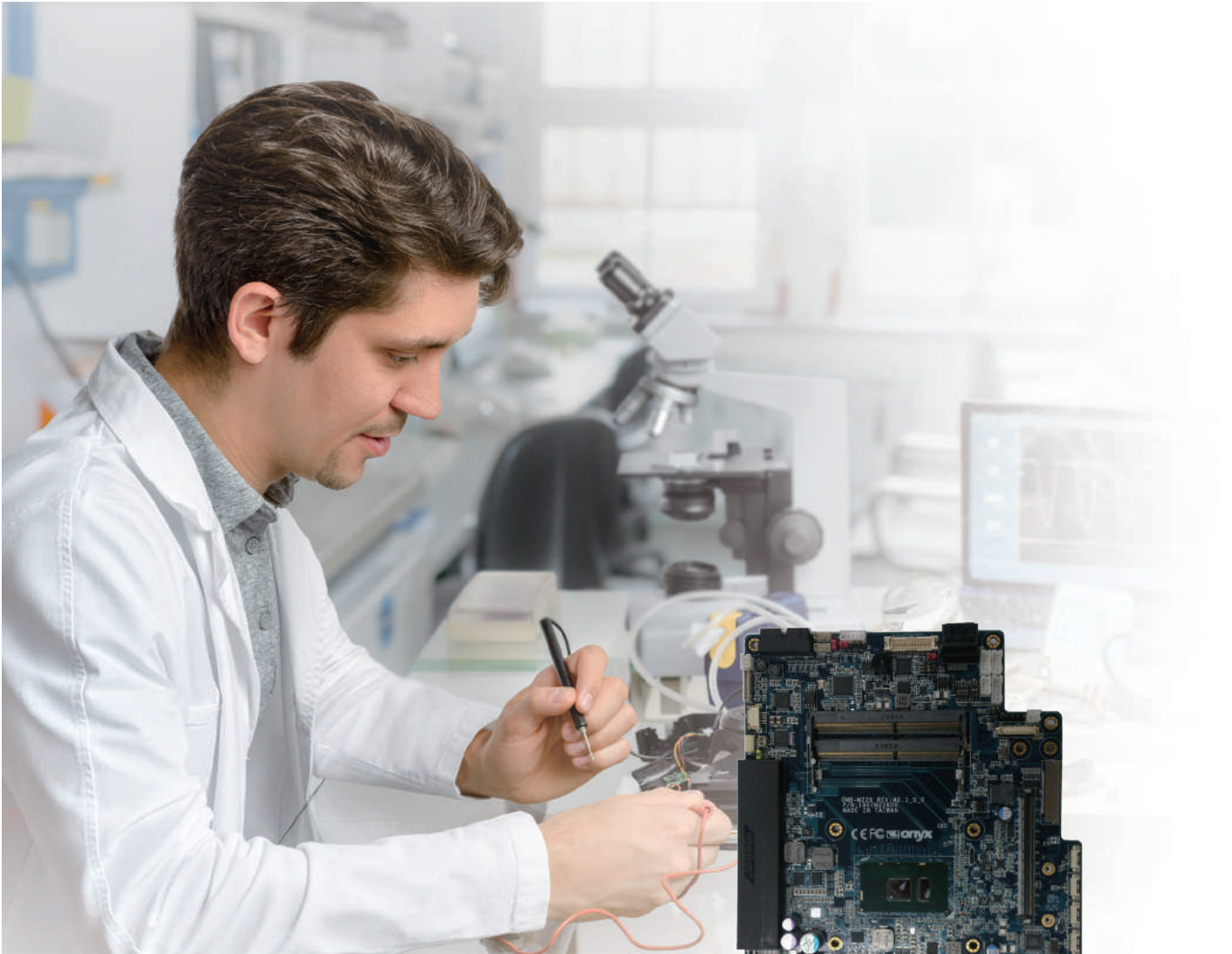
Medical Power Adaptor.100 ~ 240V.12V.5A.60W.DC.W/ Lock.Adapter.ATM065-P120(w/core)

» OPM-C16W-A7

WLAN Kit.Atheros AR1111.802.11b/g/n+BT 4.0.Mini Card.dual white ext. antenna.for MEDPC-2100

Medical Slim Mini-ITX MB for OEM/ODM

Medical Slim Mini-ITX MB is a ideal solution for medical computer or instrument. EMI prescan is done to guarantee EN 60601-1-2 compliance. Onyx provides the latest ultra low power and high performance Intel platform to minimize the effort in cpu cooler design and .



Key Features

- » » Intel Ultra Low Power Processor
- » » Dual Independent Display: LVDS, DP
- » » Dual PCI Express Slots
- » » Wide Range DC Power Input
- » » Medical Grade EN 60601-1-2 Compliance

Medical Slim Motherboard for OEM/ODM

OMB-M228

Skylake Medical Mini ITX Motherboard



Features

- Intel® 6th Generation Skylake-U Core i Series 14nm Processor
- Supports DDR4 SODIMM x2, up to 16GB
- Supports 4K x 2K High Resolution Display
- High speed USB 3.1 x2, USB 3.0 x4
- PCI Express[x4] x1, PCI Express[x1] , PCI x1, M.2 slot x1, Half Size Mini Card slot x1
- +12 to +24V Wide Range DC Input
- Low profile form factor for all-in-one terminal and 1U chassis.
- Medical grade UL/EN-60601 pre-certified with low EMI radiation
- 7 years life cycle guarantee until year 2022



Specifications

System

Processor	Intel® 6th Generation Core i Series 14nm Processor
System Memory	DDR4 SoDIMM x2, Max. 32GB
Graphics	Intel® HD Graphics
Embedded Controller	ITE IT8528
Ethernet	Intel® Jacksonville Gigabit(with iAMT) x1, Intel® i219 Gigabit 1 x1
Audio	Realtek ALC892 HD Audio Codec
Expansion Interface	PCIe[x4] x1, PCIe[x1] or PCI x1, Half Size Mini Card x1, M.2 x1
Trusted Platform Module	TPM 1.2, Infineon SLB 9660
BIOS	AMI
OS Support	Windows 7 32/6-bit, Windows 8 32/64-bit, Windows 10 32/64-bit, Linux
Power Requirement	+12V to +24V DC
Power Consumption	TBD
Board Size	160mm x 209mm
Operating Temperature	0°C ~60°C

Display

Video Out	LVDS x1, Display Port x2
LVDS	Up to 1920 x 1200 resolution, 18/24-bit dual channel
Display Port	Up to 3840 x 2160 resolution

I/O

Storage	SATA 6.0Gb/s x2
USB	USB 3.1 x2, USB 3.0 x4, USB 2.0 x6
Audio	Line-out , Mic
Touch Screen	Supports 5-wire resistive touch screen
LAN	Gigabit Ethernet
Speaker	5W x2
Power Input	Screw Lock DC Jack

Headquarter

Onyx Healthcare Inc.

2F., No.135, Ln. 235, Baoqiao Rd.,
Xindian Dist., New Taipei City 231,
Taiwan (R.O.C.)
TEL: +886-2-8919-2188
FAX: +886-2-8919-1699
E-mail: sales@onyx-healthcare.com
http://www.onyx-healthcare.com

Worldwide Offices

America

USA

Onyx Healthcare, USA Inc.
324W. Blueridge Ave. Orange, CA 92865, USA
TEL: +1-714-792-0774
FAX: +1-714-792-0481
E-mail: usasales@onyx-healthcare.com

Europe

Netherlands

Onyx Healthcare EUROPE B.V.
Primulalaan 42, 5582 GL Waalre,
The Netherlands
TEL: +31(0) 499-745600
E-mail: eusales@onyx-healthcare.com

Asia & China

China

Onyx Healthcare (Shanghai) INC.
E-mail: cnsales@onyx-healthcare.com

